



**RỒNG VÀNG
TECHNOLOGY**



CIRCULAR MICROMINIATURE CONNECTORS

MP1 Series

substitutes of Russian MR1

www.rong-vang-technology.vn



Description

Connectors of MP1 type are intended for use in DC and AC (frequency up to 3 MHz) electrical circuits with voltage up to 150 V (as peak)

Connectors of MP1 type consist of hermetically sealed Receptacles, unsealed Rack plug and unsealed Receptacles

Coupling type:

- thread
- plug-in

Contacts: \varnothing 0,6 mm, non-removable, for soldering wires

Connectors of MP1 type are manufactured with or without backshell

Contact plating: gold or silver

These connectors are manufactured for inner mounting for all climates in accordance with the technical conditions GEO.364.184TU




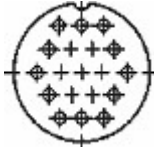
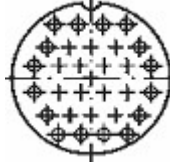
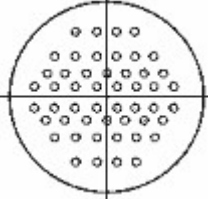
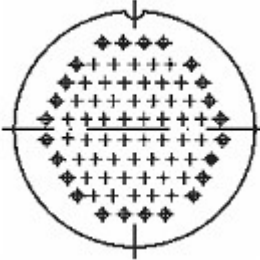
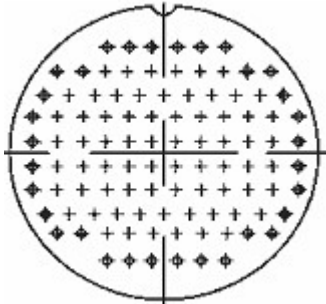
Technical features

Description	Values
Shell material	aluminum
Contact material	copper alloy
Operating temperature	up -60°C to +85°C (maximum 150°C)
Vibration	up to 2500 HZ, 15 g
Impact	150 g once and 35 g multiple times
1 bar differential pressure, leakage	≤ 0.1 l/h
Max current rating per contact	0,5 A
Max current per the whole connector	up to 51 A (102 contacts)
Working voltage	150 V
Dielectric withstanding voltage	1000 V
Contact resistance	≤ 10 mΩ
Insulation resistance	≥ 1000 MΩ
Durability	250 cycles
Technical conditions	GEO.364.184TU
Technical specification	3E0 240 061JT

Ordering information

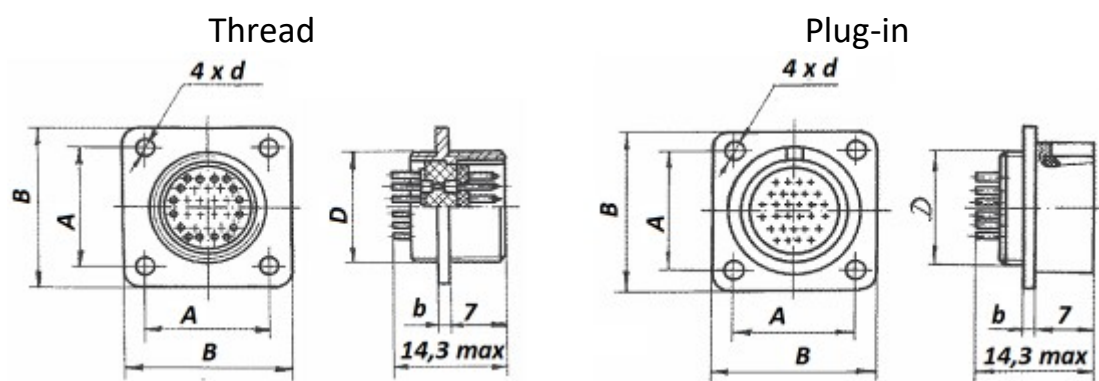
Basic series	MP1	-10	-1	-WF	-B
Sealing Level:					
Omit: unsealed Plug and hermetically sealed Receptacle					
H: unsealed Receptacle only					
Number of contacts: 10, 19, 30, 50, 76, 102					
Connector Type & Contact plating:					
1: Thread Connected Receptacle, Silver Plated, with pin contacts only					
2: Thread Connected Receptacle, Gold Plated, with pin contacts only					
3: Equipment receptacle, Silver plated, with pin contacts only					
4: Equipment receptacle, Gold plated, with pin contacts only					
5: Thread connection cable plug, Silver plated, with socket contacts only					
6: Thread connection cable plug, Gold plated, with socket contacts only					
7: Rack plug, Silver plated, with socket contacts only					
8: Rack plug, Gold plated, with socket contacts only					
Backshell Type:					
Omit: without backshell					
WF: with backshell					
All weather (Obligatory suffix)					

Contact layouts

Number of contacts	10	19	30	50
Shell size	10	12	14	18
View				
Number of contacts	76		102	
Shell size	22		27	
View				

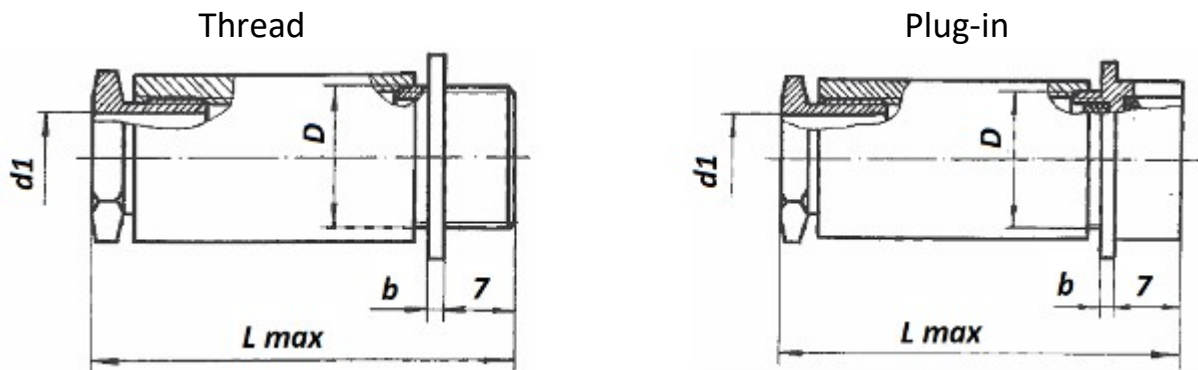
Dimensions

Receptacles without backshell



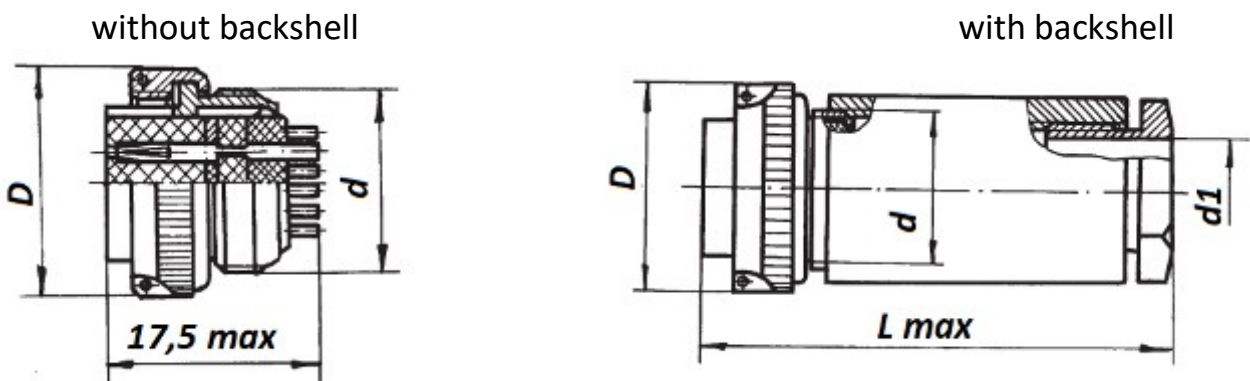
Number of contacts	D	d	A	B	b
10	M10x0,75	2,2	11,8	16,5	1,4
19	M12x0,75	2,2	13,2	18,0	1,4
30	M14x0,75	2,2	15,0	20,0	1,4
50	M18x0,75	2,2	18,0	24,0	1,4
76	M22x0,75	2,7	21,5	28,0	1,8
102	M27x0,75	3,2	26,0	33,0	2,0

Receptacles with backshell



Number of contacts	d1	b	L max
10	6,0	1,4	36,0
19	8,0	1,4	38,0
30	9,0	1,4	41,0
50	11,0	1,4	43,0
76	13,0	1,8	45,0
102	16,0	2,0	48,0

Plugs, thread coupling



Number of contacts	D	d	d1	L max
10	14,0	M10x0,75	6,0	36,0
19	16,0	M12x0,75	8,0	38,0
30	18,0	M14x0,75	9,0	41,0
50	22,5	M18x0,75	11,0	43,0
76	26,5	M22x0,75	13,0	45,0
102	31,5	M27x0,75	16,0	48,0

CÔNG TY TNHH RỒNG VÀNG TECHNOLOGY

**Địa chỉ: 48/5 Vĩnh Xuân, Phường Vĩnh thái,
Thành Phố Nha Trang, Tỉnh Khánh Hòa**

SĐT: +84 79.219.2707

www.rong-vang-technology.vn

www.rong-vang-technology.vn