



RỒNG VÀNG
TECHNOLOGY



D-Subminiature Rectangular Connectors

CFC2 Series substitutes of Russian **SNP339, ONP-ZHI-8**

www.rong-vang-technology.vn



Description

This series of products consists of plugs and receptacles in metal housings and straight plastic backshells with hardware to ensure the reliable connection of the plug and receptacle

There are two ways to install receptacle: front and rear. The product features: small size, high contact density, point to point soldering to flat cables at AC, DC and pulse circuits

Plugs are equipped with TwistPin contacts

CFC2 series connectors are fully interchangeable and intermateable with Russian SNP339 & ONP-ZHI-8 ones. This series of electrical connectors is widely used in aviation, aerospace vehicles, electronic and electrical equipment

These connectors are manufactured for inner mounting at any climate zones in accordance with the specification Q/3E20032-2006 (equal to Russian specification TsSNK.430421.004TU)



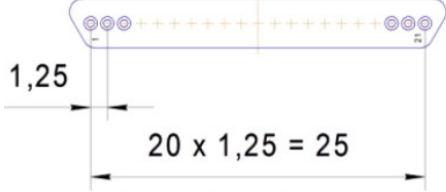
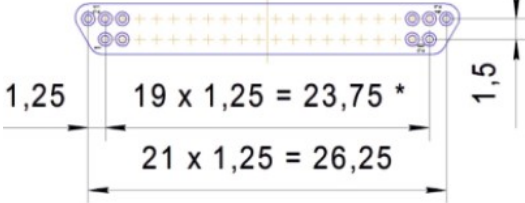
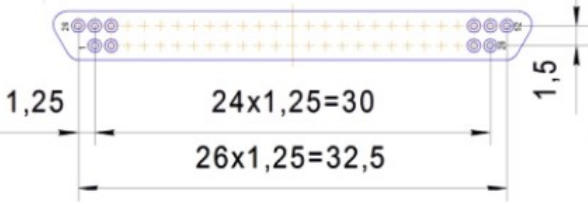
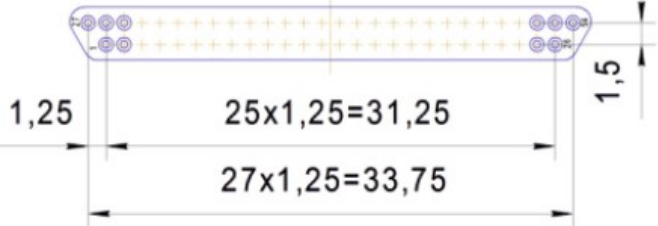
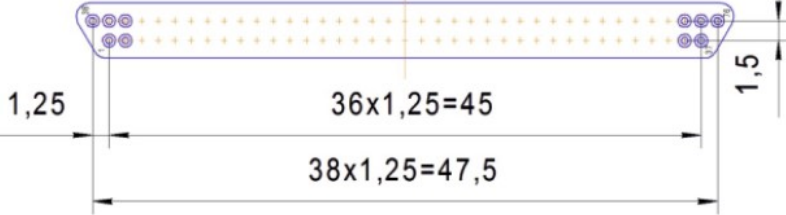
Technical features

Description	Values
Shell material	aluminum
Contact material	copper alloy
Operating temperature	up -60°C to +85°C
Vibration	at 3000 HZ, 392 m/s ²
Impact	14700 m/s ² (Single shot), 1470 m/s ² (multiple times)
Relative humidity	98% at 35 °C (without condensation)
Max current rating per contact	1 A
Max working current of a single contact	up to 2 A
Working voltage	150 V
Dielectric withstanding voltage	600 V, 1 min
Contact resistance	≤ 0.01 Ω
Insulation resistance	≥ 20 MΩ
Durability	500 cycles
Technical specification	Q/3E20032-2006

Ordering information

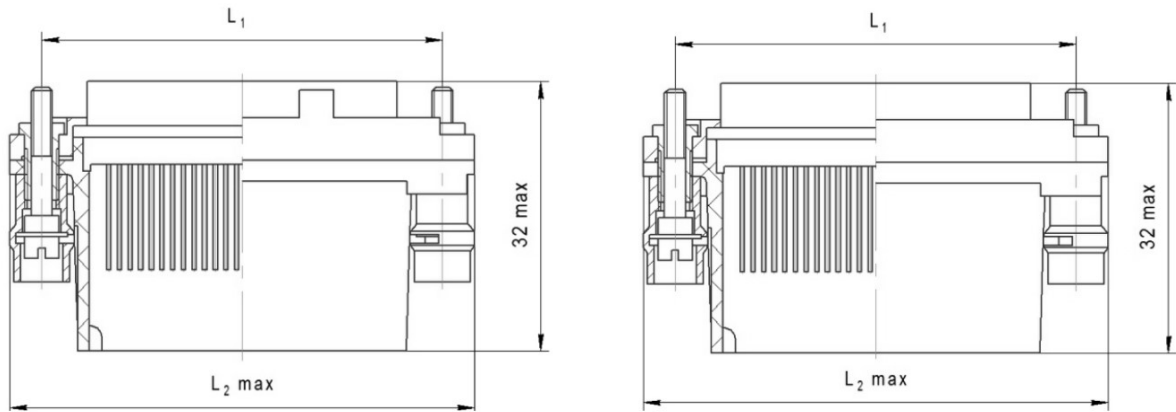
Basic series	CFC2	-21	TH	J	Q1
Number of contacts: 21, 42, 50, 52, 54, 76					
Contact Type:					
TH: Male solder cup for Plug, only					
ZH: Female solder cup for Receptacle, only					
Contact plating:					
Y: Silver					
J: Gold					
Backshell Type:					
Omit: without backshell (for Receptacles, only)					
Q1: with straight plastic backshell (for Plugs & for Receptacles)					
Q2: with straight plastic backshell with hardware (for Plugs for Receptacles)					
Key code:					
Omit: for keyless connectors					
For keyed connectors					
1, 2, 3, 4, 5, 6: short side					
7, 8, 9, 10, 11, 12: long side					
Mounting type connector:					
Omit: for Plugs only					
Q: Front Mounting (for Receptacles only)					
H: Rear Mounting (for Receptacles only)					

Contact layouts

Contact layouts	Number of contacts
 <p>1,25</p> <p>$20 \times 1,25 = 25$</p>	21
 <p>1,25</p> <p>$19 \times 1,25 = 23,75 *$</p> <p>$21 \times 1,25 = 26,25$</p> <p>1,5</p>	42
 <p>1,25</p> <p>$24 \times 1,25 = 30$</p> <p>$26 \times 1,25 = 32,5$</p> <p>1,5</p>	52
 <p>1,25</p> <p>$25 \times 1,25 = 31,25$</p> <p>$27 \times 1,25 = 33,75$</p> <p>1,5</p>	54
 <p>1,25</p> <p>$36 \times 1,25 = 45$</p> <p>$38 \times 1,25 = 47,5$</p> <p>1,5</p>	76

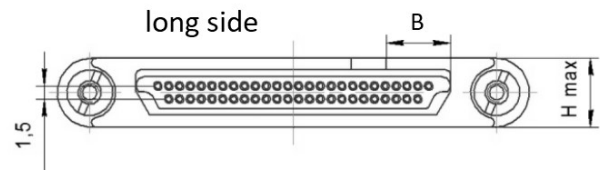
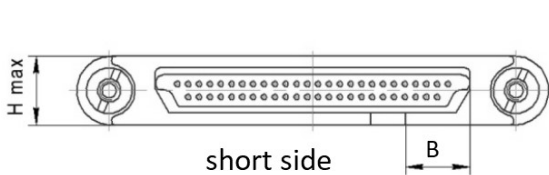
Dimensions

Plugs



Number of contacts	L1	L2 Max	H Max
21	38.5	46.0	8.0
42			
52	46,2 *	54,5 *	8.8 *
54	47,4 *	55,7 *	8.8 *
76	61.2	69.5	8.8

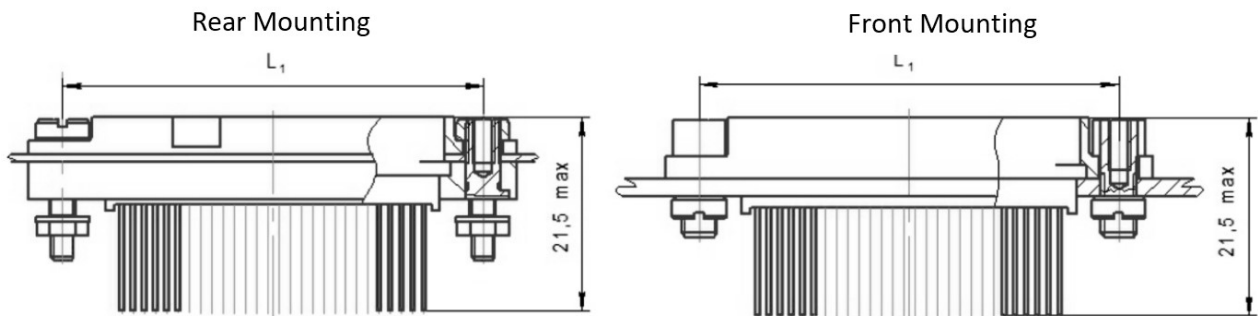
* – consultation needed



Key code	Key Positions, B
1	6.0
2	9.5
3	13.0
4	16.5
5	20.0
6	23.5

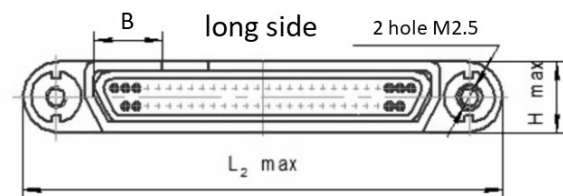
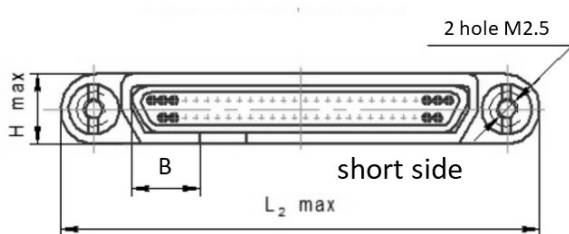
Key code	Key Positions, B
7	6.0
8	9.5
9	13.0
10	16.5
11	20.0
12	23.5

Receptacles



Number of contacts	L1	L2 Max	H Max
21	38.5	46.0	8.0
42			
52	46,2 *	54,5 *	8.8 *
54	47,4 *	55,7 *	8.8 *
76	61.2	69.5	8.8

* – consultation needed



Key code	Key Positions, B
1	6.0
2	9.5
3	13.0
4	16.5
5	20.0
6	23.5

Key code	Key Positions, B
7	6.0
8	9.5
9	13.0
10	16.5
11	20.0
12	23.5

CÔNG TY TNHH RỒNG VÀNG TECHNOLOGY

**Địa chỉ: 48/5 Vĩnh Xuân, Phường Vĩnh thái,
Thành Phố Nha Trang, Tỉnh Khánh Hòa**

SĐT: +84 79.219.2707

www.rong-vang-technology.vn

www.rong-vang-technology.vn