



**RỒNG VÀNG
TECHNOLOGY**



Circular Electrical Connector

2PM Series

**standard versions
substitutes of Russian 2RM, 2RMG**

www.rong-vang-technology.vn



Description

Connectors of 2PM type are intended for use in DC and AC (frequency up to 3 MHz) electrical circuits

The connectors are produced in three versions: unsealed Plugs with backshell, unsealed Receptacles without backshell and hermetically sealed Receptacles without backshell

The connectors have threaded coupling

Polarization – one type, not indicated

Contact plating:

- 2PM – gold, silver;
- 2PMG – nickel

Contacts: \varnothing 1.0 mm; \varnothing 1.5 mm non-removable, for soldering wires



Technical features

Description	Values
Shell material	aluminum
Contact material	copper alloy
Operating temperature	up -60°C to +150°C (unsealed) up -60°C to +200°C (hermetically sealed)
1 bar differential pressure, leakage	≤ 0.1 l/h
Vibration	up 10 to 200 HZ at 10 g (unsealed) up to 5000 HZ at 50 g (hermetically sealed)
Working voltage	560 V
Insulation resistance	≥ 5000 MΩ
Durability	500 cycles

Electrical

Max current rating per contact		Contact resistance	
∅ 1.0	∅ 1.5	∅ 1.0	∅ 1.5
5 A	10 A	≤ 5 mΩ	≤ 2,5 mΩ

Contact layouts

Layouts Shell size	number of contacts		contact diameter ∅1 ∅1.5	
			symbol	
14	4		○ ●	
18	7	4	22	4
				10
24	10	19		



Unsealed Connectors. Ordering information

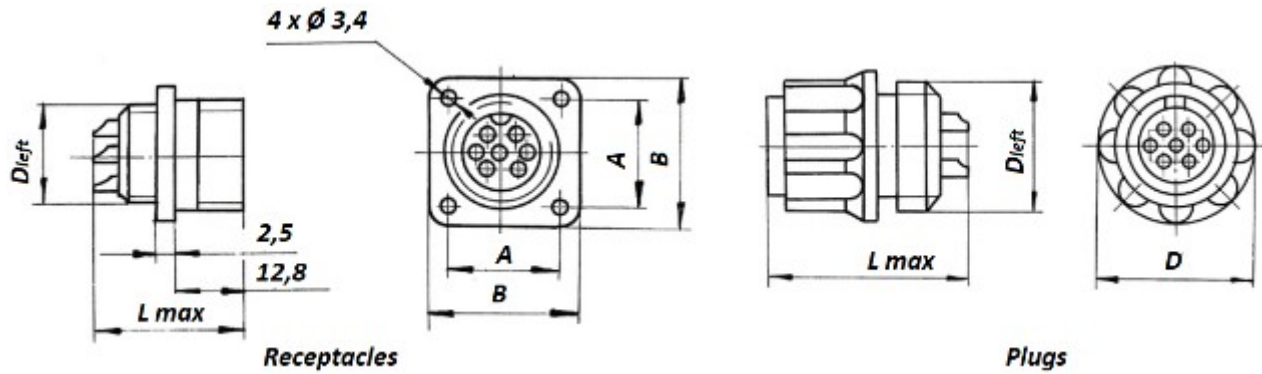
Basic series	2PM	-14	/4	T	K	QA	1
Shell size: 14, 18, 22, 24							
Number of contacts: 4, 7, 8, 10, 19							
Connector Type:							
T: unsealed Plug							
Z: unsealed Receptacle							
Contact Type:							
J: Pin							
K: Socket							
Backshell Type:							
Omit: without Backshell							
QA: straight EMI/RFI Backshell							
QB: straight non-shielding Backshell							
WA: elbow EMI/RFI Backshell							
WB: elbow non-shielding Backshell							
Contact plating:							
1: Gold							
2: Silver							

Hermetically sealed Receptacles Ordering information

Basic series	2PMG	-14	/4	Z	N
Shell size: 14, 18, 22, 24					
Number of contacts: 4, 7, 8, 10, 19					
Connector Type:					
Z: Hermetically sealed Receptacles with pin contacts					
Contact plating:					
N: nickel plating					

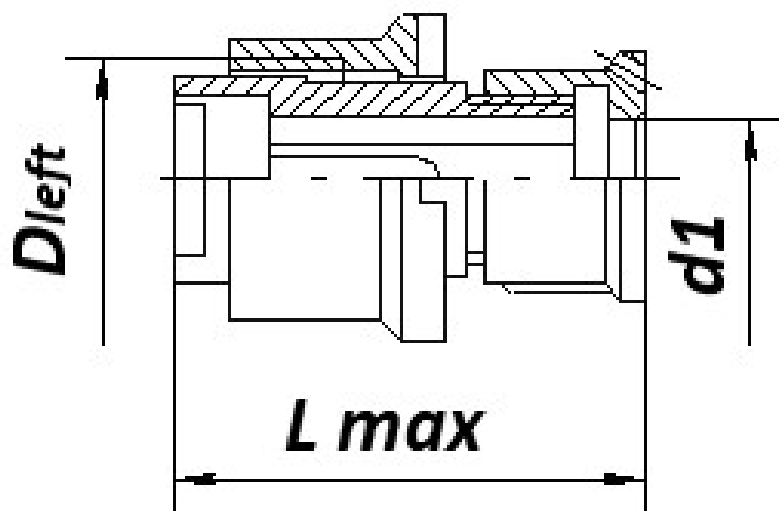
Dimensions

Receptacles & Plugs, 2PM type, without backshells



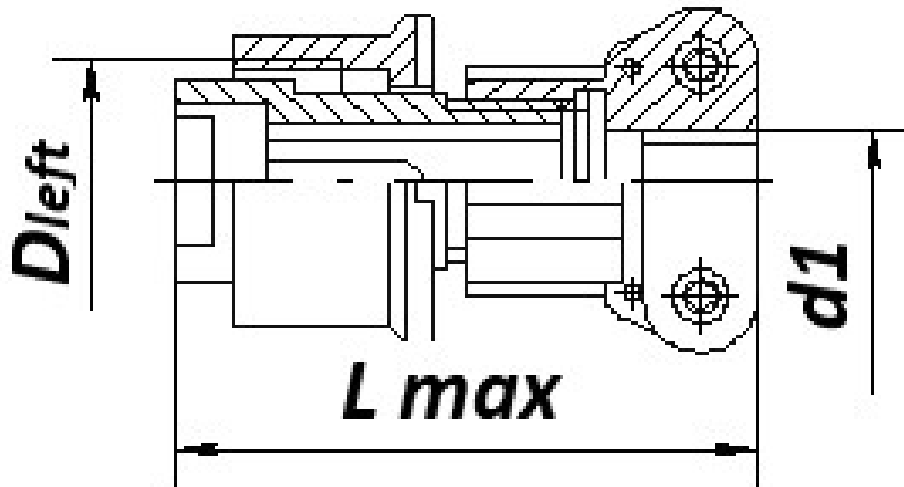
Shell size	D left	A	B	D max	L max
14	M14X1	17	24	22	25
18	M18X1	20	27	25	25
22	M22X1	23	30	29	27
24	M24X1	26	33	32	25

Straight EMI/RFI Backshell, QA type



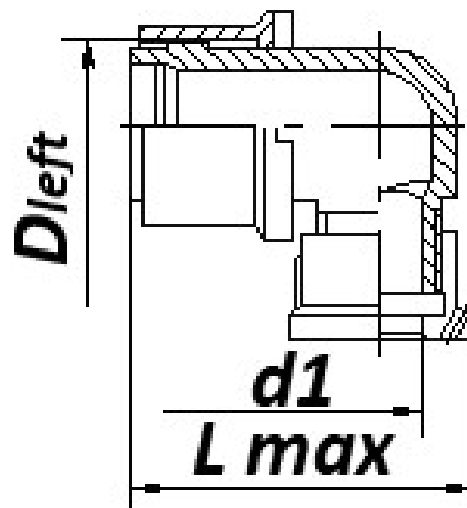
Shell size	D left	d1	L max
14	M14X1	6,5	28,7
18	M18X1	10,5	28,7
22	M22X1	14	28,7
24	M24X1	16	34,7

Straight non-shielding Backshell, QB type



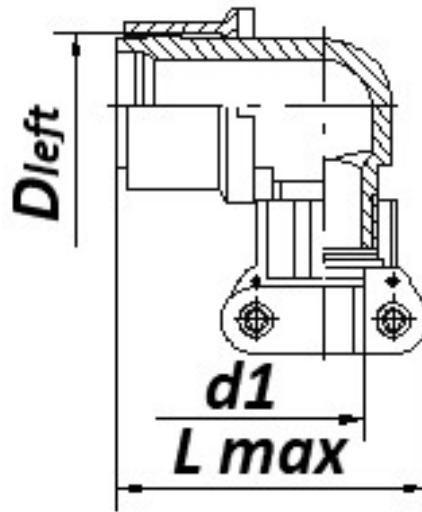
Shell size	D left	d1	L max
14	M14X1	6,5	34
18	M18X1	10,5	34
22	M22X1	14,5	36,6
24	M24X1	16,6	43

Elbow EMI/RFI Backshell, WA type



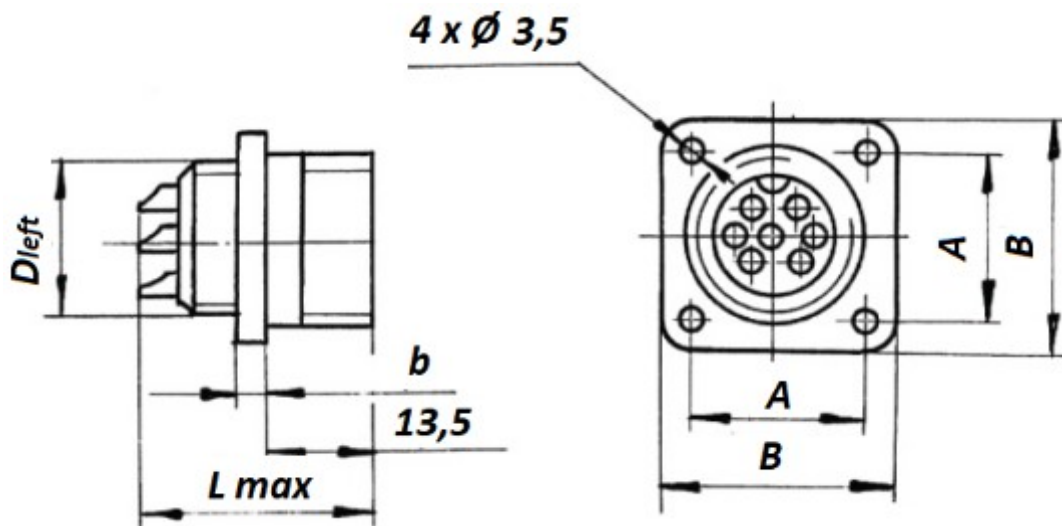
Shell size	D left	d1	L max
14	M14X1	6,5	31
18	M18X1	10,5	34
22	M22X1	14	41
24	M24X1	16	43

Elbow non-shielding Backshell, WB type



Shell size	D left	d1	L max
14	M14X1	6,5	35
18	M18X1	10,5	38
22	M22X1	14,5	42,5
24	M24X1	16,6	44,5

Hermetically sealed Receptacles 2PMG without backshell



Shell size	D left	A	B	b	L max
14	M14X1	17	24	2.5	26.5
18	M18X1	20	27	1.8	26.5
22	M22X1	23	30	2.5	28.5
24	M24X1	26	33	1.8	26.5

CÔNG TY TNHH RỒNG VÀNG TECHNOLOGY

**Địa chỉ: 48/5 Vĩnh Xuân, Phường Vĩnh thái,
Thành Phố Nha Trang, Tỉnh Khánh Hòa**

SĐT: +84 79.219.2707

www.rong-vang-technology.vn

www.rong-vang-technology.vn