



**RỒNG VÀNG  
TECHNOLOGY**



# **Circular Fiber Optic Connectors Interfaces MIL-DTL-38999, Series III Fiber Optic Contacts**

[www.rong-vang-technology.vn](http://www.rong-vang-technology.vn)



## Description

Circular fiber optic connector is a multi-core environment-resistant fiber optic connector developed on the basis of 8D series optical connector (Interfaces MIL-DTL-38999, Series III). Fiber Optic Contact with bayonet locking structure, can be easily loaded into the connector, without any removal and unloading tools, the rear end of the contact is equipped with a seal, no need for a tail cover or sealing body, with vibration resistance, pressure resistance, rain resistance, salt spray resistance, dust resistance and other excellent performance.



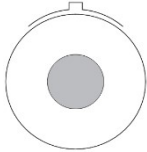
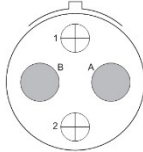
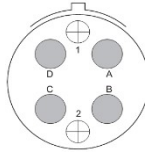
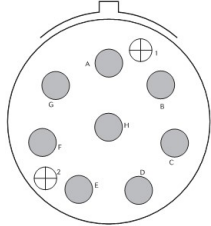
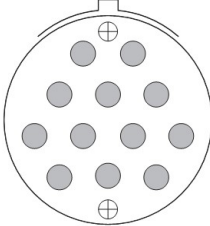
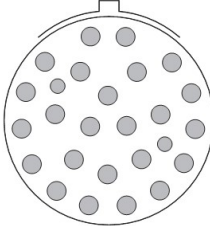
## Technical features

Description	Values
Shell material	aluminum
Sealing ring material	silicone rubber
Operating temperature	up -55°C to +85°C
Multimode contact (Insertion Loss)	≤ 0.3 dB (95% of the samples met) ≤ 0.7dB (100% of the samples met)
Singlemode contact (Insertion Loss)	≤ 0.5 dB (95% of the samples met) ≤ 0.9dB (100% of the samples met)
Durability	500 cycles

## Circular Fiber Optic Connectors Ordering Information

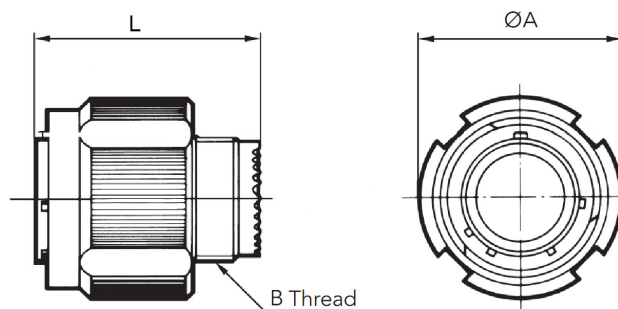
Basic series	8D	5	E	11	W	02	A	N	LC
Shell type:									
5: Plug									
0: Square flange receptacle									
7: Jam nut receptacle									
Designation:									
E: Circular Fiber Optic Connectors									
Shell size: 9, 11, 13, 19, 21, 25									
Shell material/ Plating:									
W: aluminum/cadmium									
F: aluminum/electroless nickel									
K: stainless steel/passivation									
Layouts: See previous page									
Insert type:									
A: Male insert									
B: Female insert									
Polarization: N, A, B, C, D, E									
LC: mandatory suffix, connectors delivered without contacts, not marked when delivered									

## Contact layouts

Shell Size – Number of Contacts		
<b>9-01</b>	<b>11-02</b>	<b>13-04</b>
		
<b>19-08</b>	<b>21-12</b>	<b>25-24</b>
		

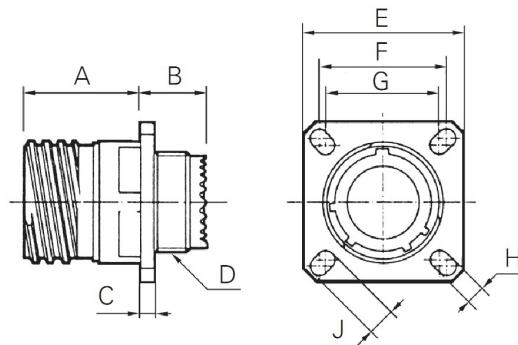
## Dimensions

### Plugs



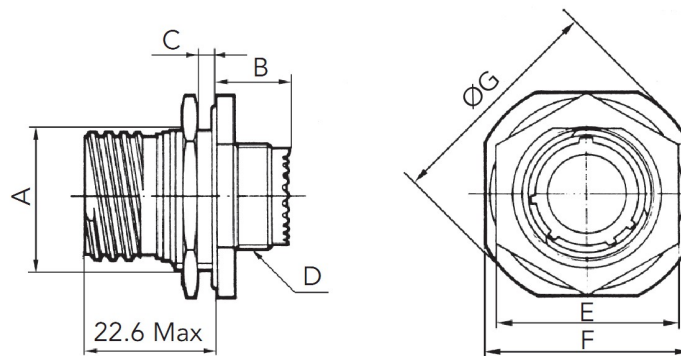
Shell size	A max	B Thread	L max
<b>9</b>	21.80	M12 x 1-6g	35.0
<b>11</b>	25.00	M15 x 1-6g	35.0
<b>13</b>	29.40	M18 x 1-6g	35.0
<b>19</b>	38.50	M28 x 1-6g	35.0
<b>21</b>	41.70	M31 x 1-6g	35.0
<b>25</b>	48.00	M37 x 1-6g	35.0

## Square flange receptacles



Shell size	A Max	B Max	C Max	D Thread	E ± 0.30	F	G	H ± 0.20	J ± 0.20
9	20.90	10.60	2.50	M12 x 1-6g	23.80	18.26	15.09	3.25	5.49
11	20.90	10.60	2.50	M15 x 1-6g	26.20	20.62	18.26	3.25	4.93
13	20.90	10.60	2.50	M18 x 1-6g	28.60	23.01	20.62	3.25	4.93
19	20.90	10.60	2.50	M28 x 1-6g	36.50	29.36	26.97	3.25	4.93
21	20.10	11.40	3.20	M31 x 1-6g	39.70	31.75	29.36	3.25	4.93
25	20.10	11.40	3.20	M37 x 1-6g	46.00	38.10	34.93	3.91	6.15

## Jam nut receptacles

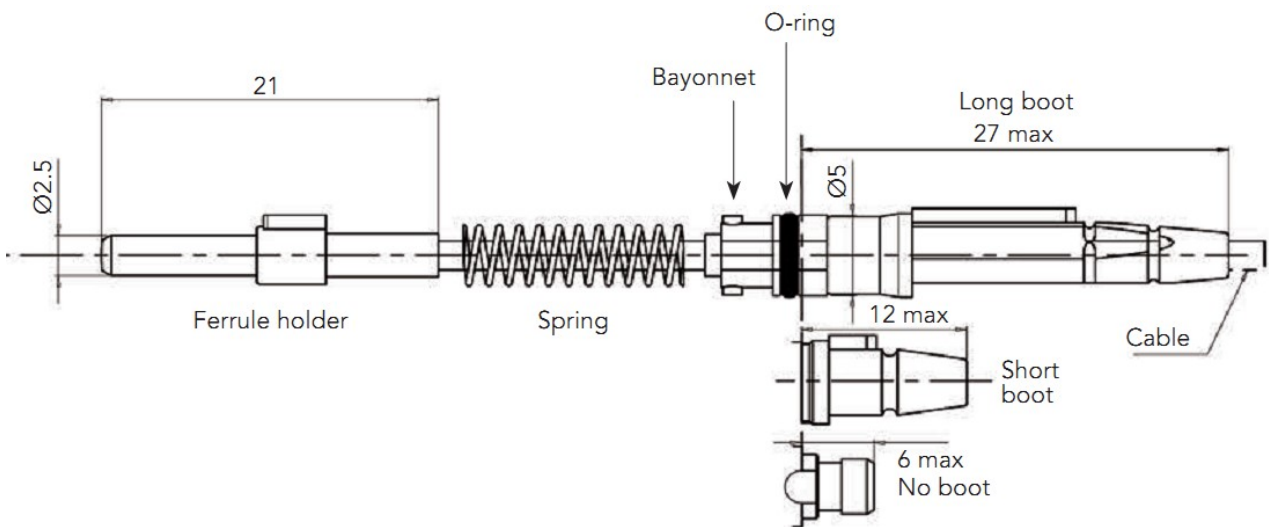


Shell size	A + 0.10/- 0.15	B Max	C Max	G Max	E Max	F ± 0.40	D Thread
9	16.53	9.90	3.20	30.50	24.00	27.00	M12 x 1-6g
11	19.07	9.90	3.20	35.20	27.00	31.80	M15 x 1-6g
13	23.82	9.90	3.20	38.40	32.00	34.90	M18 x 1-6g
19	33.32	9.90	3.50	49.50	41.00	46.00	M28 x 1-6g
21	36.50	9.90	3.50	52.70	46.00	49.20	M31 x 1-6g
25	42.85	9.90	3.50	59.00	51.23	55.60	M37 x 1-6g



# Fiber Optic Contact Ordering Information

Basic series	ELIO	18W	P	G	L	A
Cable external diameter & Contact sealing: 18W: 1.8±0.1 mm (waterproof)						
Shell material: M: Metal P: Plastic						
Fiber type: G: Multimode, 50/125 or 62.5/125 E: Singlemode, 9/125, PC polish						
Boot type: L: Long boot S: Short boot N: No boot A: mandatory suffix						

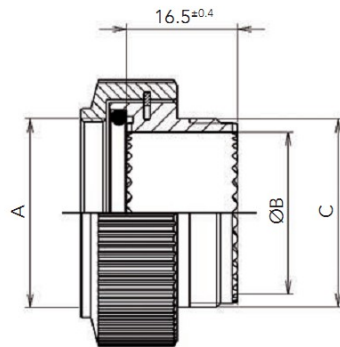


# Back Accessory Ordering Information

Basic series	AC38999/	A	-09	W
Type: A: Straight Adaptor B: Straight Adaptor with Cable Clamp				
Shell size: 9, 11, 13, 19, 21, 25				
Shell material/ Plating: W: aluminum/cadmium F: aluminum/electroless nickel K: stainless steel/passivation				

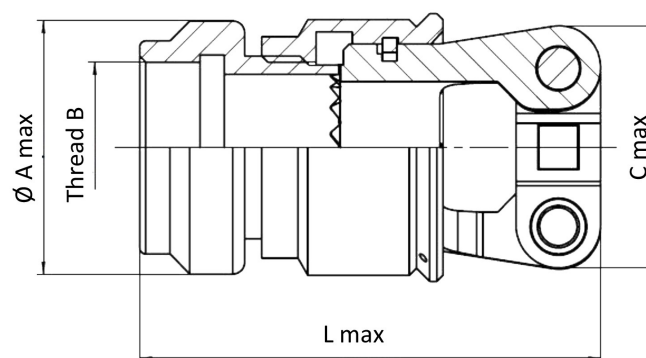
## Dimensions

### Straight Adaptor



Shell size	Thread A	Ø B ± 0.25	Thread C
9	16.53	9.90	3.20
11	19.07	9.90	3.20
13	23.82	9.90	3.20
19	33.32	9.90	3.50
25	42.85	9.90	3.50

### Straight Adaptor with Cable Clamp

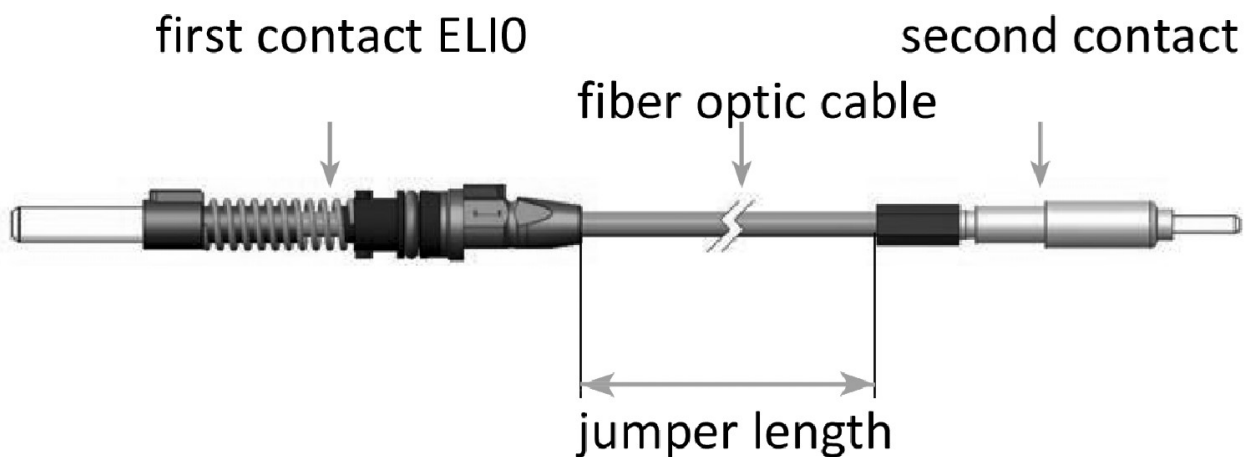


Shell size	Ø A max	Thread B	C max	L max
9	16.8	M12×1-6g	20.0	37.5
11	20.8	M15×1-6g	21.0	39.0
13	23.9	M18×1-6g	23.4	40.5
19	34.5	M28×1-6g	34.0	47.1
25	43.2	M37×1-6g	40.6	55.5

## Patchcords. Ordering Information

It is recommended to consult with the manufacturer

Basic series	ELI0/	P	L	-FC	-E	1.8	-S	0.5
First contact: ELI0								
Shell material:								
M: Metal								
P: Plastic								
Boot type:								
L: Long boot								
S: Short boot								
N: No boot								
Second contact (Connector type/polishing style):								
EL: ELI0								
FC: FC/PC								
SC: SC/PC								
LC: LC/PC								
ST: ST/PC								
AFC: FC/APC (Single-mode only)								
ASC: SC/APC (Single-mode only)								
ALC: LC/APC (Single-mode only)								
Cable sheath material:								
E: ETFE (polytetrafluoroethylene)								
T: TPU (thermoplastic polyurethane)								
Cable external diameter:								
1.8: 1.8±0.1 mm, waterproof								
Fiber type:								
S: Singlemode, 9/125, PC polish only								
M: Multimode, 62.5/125								
MI: Multimode, 50/125								
MIV: Multimode, 50/125 (OM3 High Speed)								
Jumper length, in meters								







## Circular Fiber Optic Connectors

### Cross reference list

Russian Part No.	ALLCONN Part No.
OC144E-1/9B-N(A, B, C, D, E)W(F)K	8D5E01W(F)09AN(A, B, C, D, E)LC
OC144E-1/9B-N(A, B, C, D, E)W(F)Π	8D0E01W(F)09AN(A, B, C, D, E)LC
OC144E-1/9P-N(A, B, C, D, E)W(F)K	8D5E01W(F)09BN(A, B, C, D, E)LC
OC144E-1/9P-N(A, B, C, D, E)W(F)Π	8D0E01W(F)09BN(A, B, C, D, E)LC
OC144E-2/11B-N(A, B, C, D, E)W(F)K	8D5E02W(F)11AN(A, B, C, D, E)LC
OC144E-2/11B-N(A, B, C, D, E)W(F)Π	8D0E02W(F)11AN(A, B, C, D, E)LC
OC144E-2/11P-N(A, B, C, D, E)W(F)K	8D5E02W(F)11BN(A, B, C, D, E)LC
OC144E-2/11P-N(A, B, C, D, E)W(F)Π	8D0E02W(F)11BN(A, B, C, D, E)LC
OC144E-4/13B-N(A, B, C, D, E)W(F)K	8D5E04W(F)13AN(A, B, C, D, E)LC
OC144E-4/13B-N(A, B, C, D, E)W(F)Π	8D0E04W(F)13AN(A, B, C, D, E)LC
OC144E-4/13P-N(A, B, C, D, E)W(F)K	8D5E04W(F)13BN(A, B, C, D, E)LC
OC144E-4/13P-N(A, B, C, D, E)W(F)Π	8D0E04W(F)13BN(A, B, C, D, E)LC
OC144E-8/19B-N(A, B, C, D, E)W(F)K	8D5E08W(F)19AN(A, B, C, D, E)LC
OC144E-8/19B-N(A, B, C, D, E)W(F)Π	8D0E08W(F)19AN(A, B, C, D, E)LC
OC144E-8/19P-N(A, B, C, D, E)W(F)K	8D5E08W(F)19BN(A, B, C, D, E)LC
OC144E-8/19P-N(A, B, C, D, E)W(F)Π	8D0E08W(F)19BN(A, B, C, D, E)LC
OC144E-24/25B-N(A, B, C, D, E)W(F)K	8D5E24W(F)25AN(A, B, C, D, E)LC
OC144E-24/25B-N(A, B, C, D, E)W(F)Π	8D0E24W(F)25AN(A, B, C, D, E)LC
OC144E-24/25P-N(A, B, C, D, E)W(F)K	8D5E24W(F)25BN(A, B, C, D, E)LC
OC144E-24/25P-N(A, B, C, D, E)W(F)Π	8D0E24W(F)25BN(A, B, C, D, E)LC

## Fiber Optic Contact

### Cross reference list

Russian Part No.	ALLCONN Part No.
KO18SGL	ELI018WPGLA
KO18SGS	ELI018WPGSA

**CÔNG TY TNHH RỒNG VÀNG TECHNOLOGY**

**Địa chỉ: 48/5 Vĩnh Xuân, Phường Vĩnh thái,  
Thành Phố Nha Trang, Tỉnh Khánh Hòa**

**SĐT: +84 79.219.2707**

**[www.rong-vang-technology.vn](http://www.rong-vang-technology.vn)**

**[www.rong-vang-technology.vn](http://www.rong-vang-technology.vn)**