



**RỒNG VÀNG
TECHNOLOGY**



**Board-Mount Connectors
According to MIL-DTL-55302**

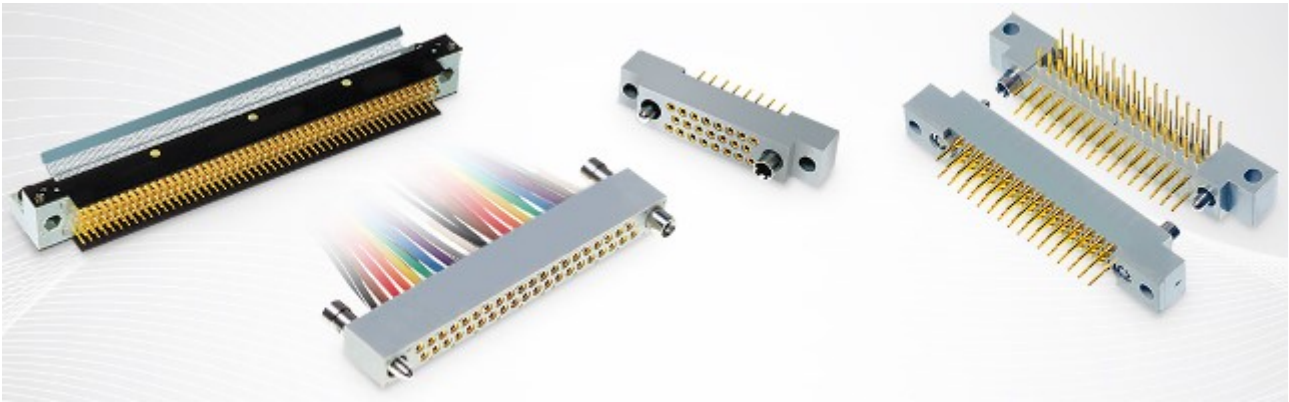
TRTM Series

(1.905)

www.rong-vang-technology.vn



Board-Mount Connectors, TRTM Series



Technical features

According to MIL-55302 standard

Molded Insulators: Glass filled Polyphenylene Sulfide

Guide Pins/Sockets: BeCu/Nickel

Screws: Stainless Steel/passivated

Contacts: BeCu/Gold plate

Durability: up to 500 mating cycles

Temperature range: up -65°C to $+125^{\circ}\text{C}$

Contact Rating: up to 3 A

Test Voltage: 750 V, RMS, 60 Hz @ sea level, 250 V, RMS, 60 Hz @ 21,340 m

Contact Resistance: 15 mOm max (interface measurement) @ 3 A

Insulation Resistance: 5,000 MOM minimum @ 500 VDC

Contact Spacing: 1.905 mm

Number of rows: 2, 3, 4, 6

\varnothing contacts: 0.635 mm



TRTM – Two-Row, Straight & Right-Angle, Board-Mount Plug & Receptacle, Contact Spacing: 1.91 mm

TRTM – Series products are high-density, plastic connectors commonly used in board-to-board applications. According to MIL-55302 standard

Ordering information

Basic series	TRTM	2	1	2	-010	-10	1	-55	00
2 – 2-Row									
Shell Style:									
1 – Plug, straight with mounting ears									
3 – Plug, straight without mounting ears									
5 – Plug, right-angle with mounting ears									
7 – Plug, right-angle without mounting ears									
Body material:									
2 – Polyphenylene sulfide (PPS)									
Contact layouts:									
010 – 10 contacts									
020 – 20 contacts									
030 – 30 contacts									
040 – 40 contacts									
050 – 50 contacts									
060 – 60 contacts									
070 – 70 contacts									
080 – 80 contacts									
090 – 90 contacts									
100 – 100 contacts									
Termination Type:									
10 – Straight Board-Mount, 2.77 x \varnothing 0.5 ± 0.02									
11 – Solder cup, \varnothing 0.7 + 0.08/0									
12 – Straight Board-Mount, 3.56 x \varnothing 0.5 ± 0.02									
13 – Straight Board-Mount, 4.37 x \varnothing 0.5 ± 0.02									
31 – Right-Angle Board-Mount, 2.77 x \varnothing 0.5 ± 0.02									
32 – Right-Angle Board-Mount, 3.56 x \varnothing 0.5 ± 0.02									
33 – Right-Angle Board-Mount, 4.37 x \varnothing 0.5 ± 0.02									
34 – Right-Angle Board-Mount, 2.77 x \varnothing 0.4 ± 0.02									
35 – Right-Angle Board-Mount, 3.56 x \varnothing 0.4 ± 0.02									
36 – Right-Angle Board-Mount, 4.37 x \varnothing 0.4 ± 0.02									
PC tail plating:									
1 – Gold									
2 – Pre-tinned, SnPb alloy (for PCB mount only)									
Hardware type:									
0256 – None									
55 – Guide set									
57 – Two guide pins									
29 – Fixed jackset									
30 – Fixed jackset, reversed									
19 – Two fixed jackscrews									
59 – Hex turning jackset, 5.08									
60 – Hex turning jackset reversed, 5.08									
61 – Two hex turning jackscrews, 5.08									
64 – Turning jackset, 12.45									
Polarization:									
00 – None									
up 01 to 64 – Connector supplied with polarization keys installed									

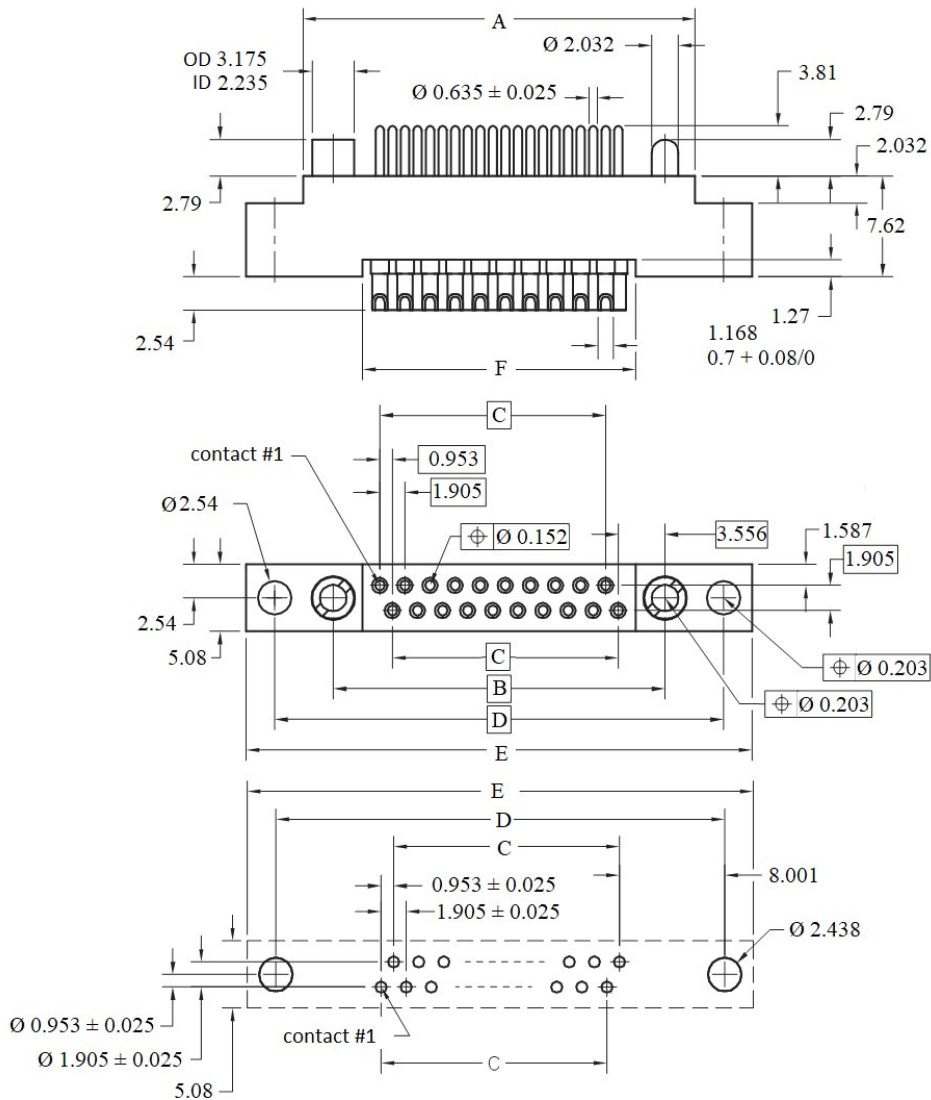


Ordering information

Basic series	TRTM	2	1	2	-010	-10	1	-55	00
2 – 2-Row									
Shell Style:									
2 – Receptacle, straight with mounting ears									
4 – Receptacle, straight without mounting ears									
6 – Receptacle, right-angle with mounting ears									
8 – Receptacle, right-angle without mounting ears									
Body material:									
2 – Polyphenylene sulfide (PPS)									
Contact layouts:									
010 – 10 contacts									
020 – 20 contacts									
030 – 30 contacts									
040 – 40 contacts									
050 – 50 contacts									
060 – 60 contacts									
070 – 70 contacts									
080 – 80 contacts									
090 – 90 contacts									
100 – 100 contacts									
Termination Type:									
20 – Straight Board-Mount, 2.77 x \varnothing 0.5 \pm 0.02									
21 – Straight Board-Mount, 3.56 x \varnothing 0.5 \pm 0.02									
22 – Straight Board-Mount, 4.37 x \varnothing 0.5 \pm 0.02									
24 – Solder cup, \varnothing 0.7 + 0.08/0									
26 – Flex circuit, 12.7 x \square 0.46 \pm 0.02									
27 – Flex circuit, 9.53 x \square 0.46 \pm 0.02									
28 – Flex circuit, 15.88 x \square 0.46 \pm 0.02									
44 – Right-Angle Board-Mount, 2.77 x \varnothing 0.5 \pm 0.02									
45 – Right-Angle Board-Mount, 3.56 x \varnothing 0.5 \pm 0.02									
46 – Right-Angle Board-Mount, 4.37 x \varnothing 0.5 \pm 0.02									
47 – Right-Angle Board-Mount, 6.35 x \varnothing 0.5 \pm 0.02									
51 – Straight Board-Mount, 4.37 x \varnothing 0.4 \pm 0.02									
PC tail plating:									
1 – Gold									
2 – Pre-tinned, SnPb alloy (for PCB mount only)									
Hardware type:									
0256 – None									
55 – Guide set									
57 – Two guide pins									
58 – Two guide sockets									
29 – Fixed jackset									
30 – Fixed jackset, reversed									
19 – Two fixed jackscrews									
20 – Two fixed jacksockets									
59 – Hex turning jackset, 5.08									
60 – Hex turning jackset reversed, 5.08									
61 – Two hex turning jackscrews, 5.08									
62 – Two hex turning jacksockets, 5.08									
64 – Turning jackset, 12.45									
Polarization:									
00 – None									
up 01 to 64 – Connector supplied with polarization keys installed									

Dimensions

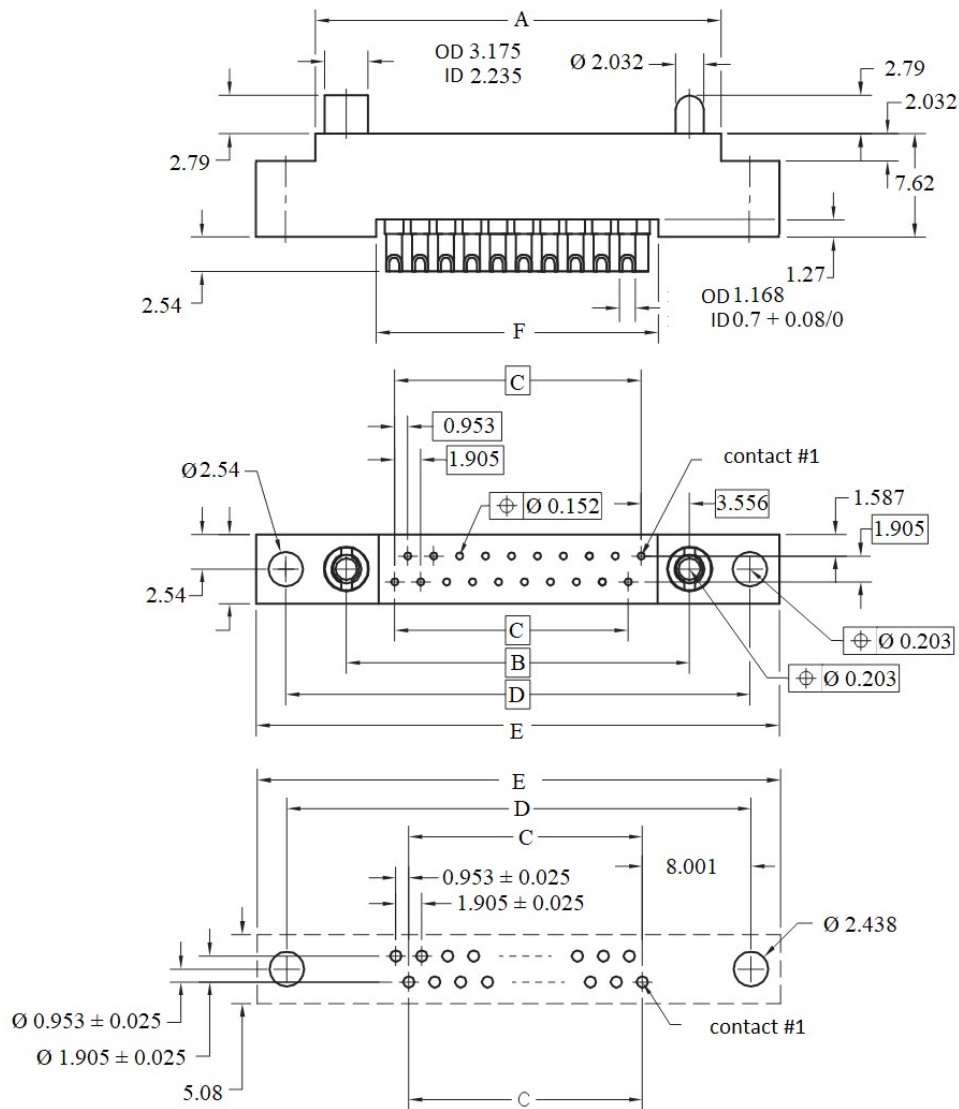
Two-Row, Plug, Solder cup, TRTM-212-***-111-***



Contact layouts	A	B	C	D	E	F
10	20.24	15.67	7.62	24.56	28.88	11.23
20	29.77	25.20	17.15	34.09	38.40	20.75
30	39.29	34.72	26.67	43.61	47.93	30.28
40	48.82	44.25	36.20	53.14	57.45	39.80
50	58.34	53.77	45.72	62.66	66.98	49.33
60	67.87	63.30	55.25	72.19	76.50	58.85
70	77.39	72.82	64.77	81.71	86.03	68.38
80	86.92	82.35	74.30	91.24	95.55	77.90
90	96.44	91.87	83.82	100.76	105.08	87.43
100	105.97	101.40	93.35	110.29	114.60	96.95

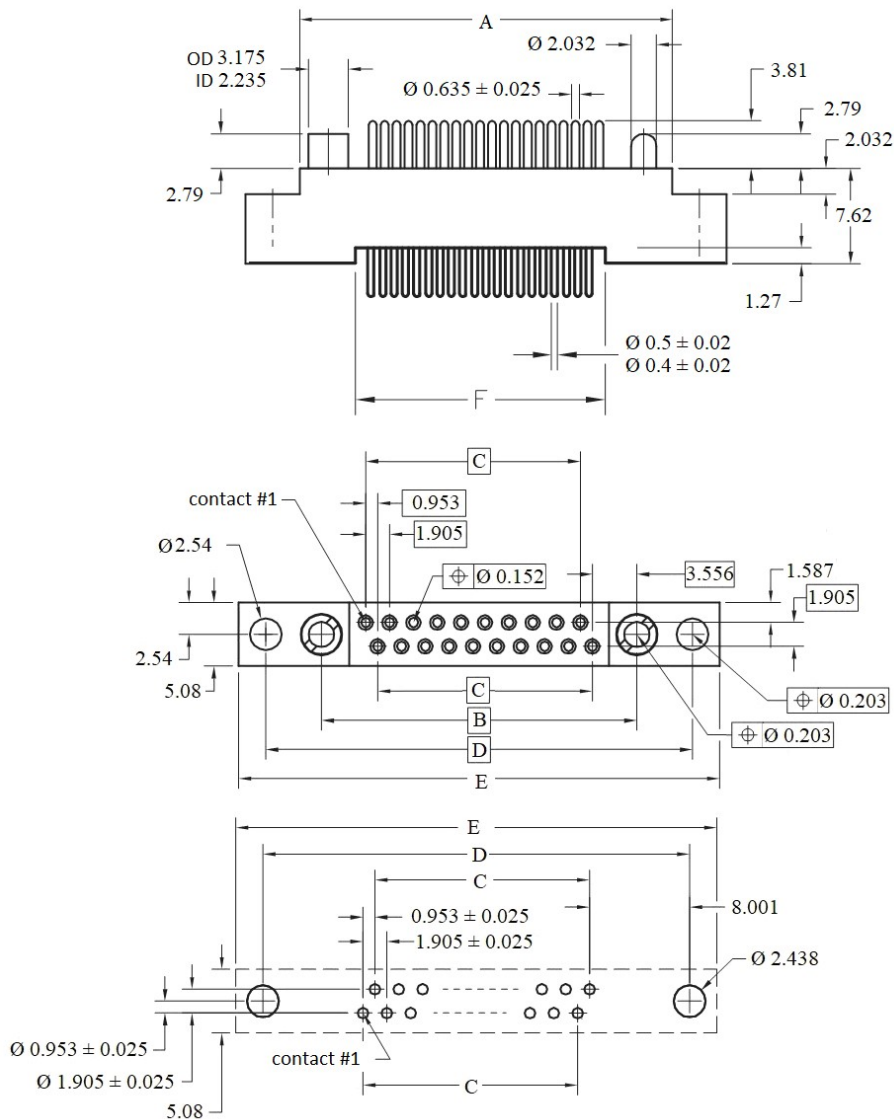


Two-Row, Receptacle, Solder cup, TRTM-222-***-241-***



Contact layouts	A	B	C	D	E	F
10	20.24	15.67	7.62	24.56	28.88	10.97
20	29.77	25.20	17.15	34.09	38.40	20.50
30	39.29	34.72	26.67	43.61	47.93	30.02
40	48.82	44.25	36.20	53.14	57.45	39.55
50	58.34	53.77	45.72	62.66	66.98	49.07
60	67.87	63.30	55.25	72.19	76.50	58.60
70	77.39	72.82	64.77	81.71	86.03	68.12
80	86.92	82.35	74.30	91.24	95.55	77.65
90	96.44	91.87	83.82	100.76	105.08	87.17
100	105.97	101.40	93.35	110.29	114.60	96.70

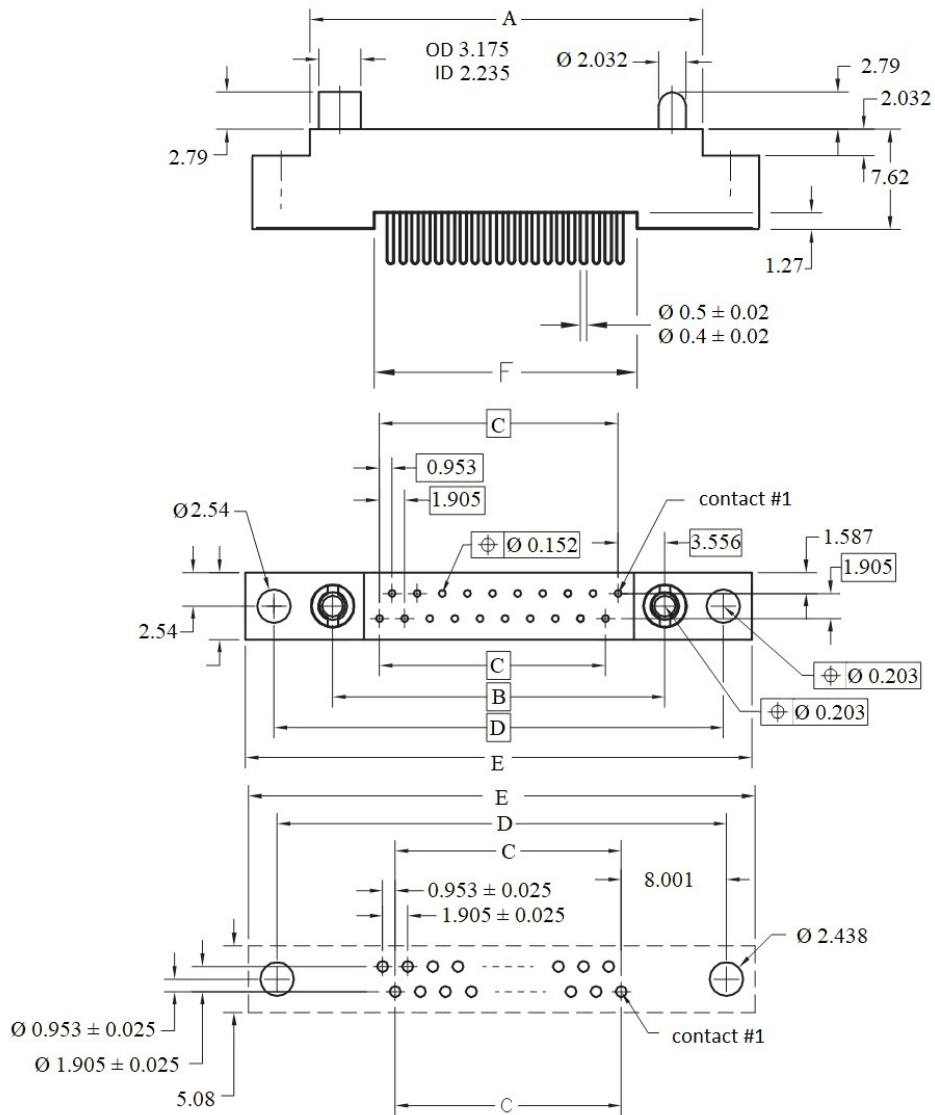
Two-Row, Plug, Straight Board-Mount, TRTM-212-***-101-***



Contact layouts	A	B	C	D	E	F
10	20.24	15.67	7.62	24.56	28.88	11.23
20	29.77	25.20	17.15	34.09	38.40	20.75
30	39.29	34.72	26.67	43.61	47.93	30.28
40	48.82	44.25	36.20	53.14	57.45	39.80
50	58.34	53.77	45.72	62.66	66.98	49.33
60	67.87	63.30	55.25	72.19	76.50	58.85
70	77.39	72.82	64.77	81.71	86.03	68.38
80	86.92	82.35	74.30	91.24	95.55	77.90
90	96.44	91.87	83.82	100.76	105.08	87.43
100	105.97	101.40	93.35	110.29	114.60	96.95

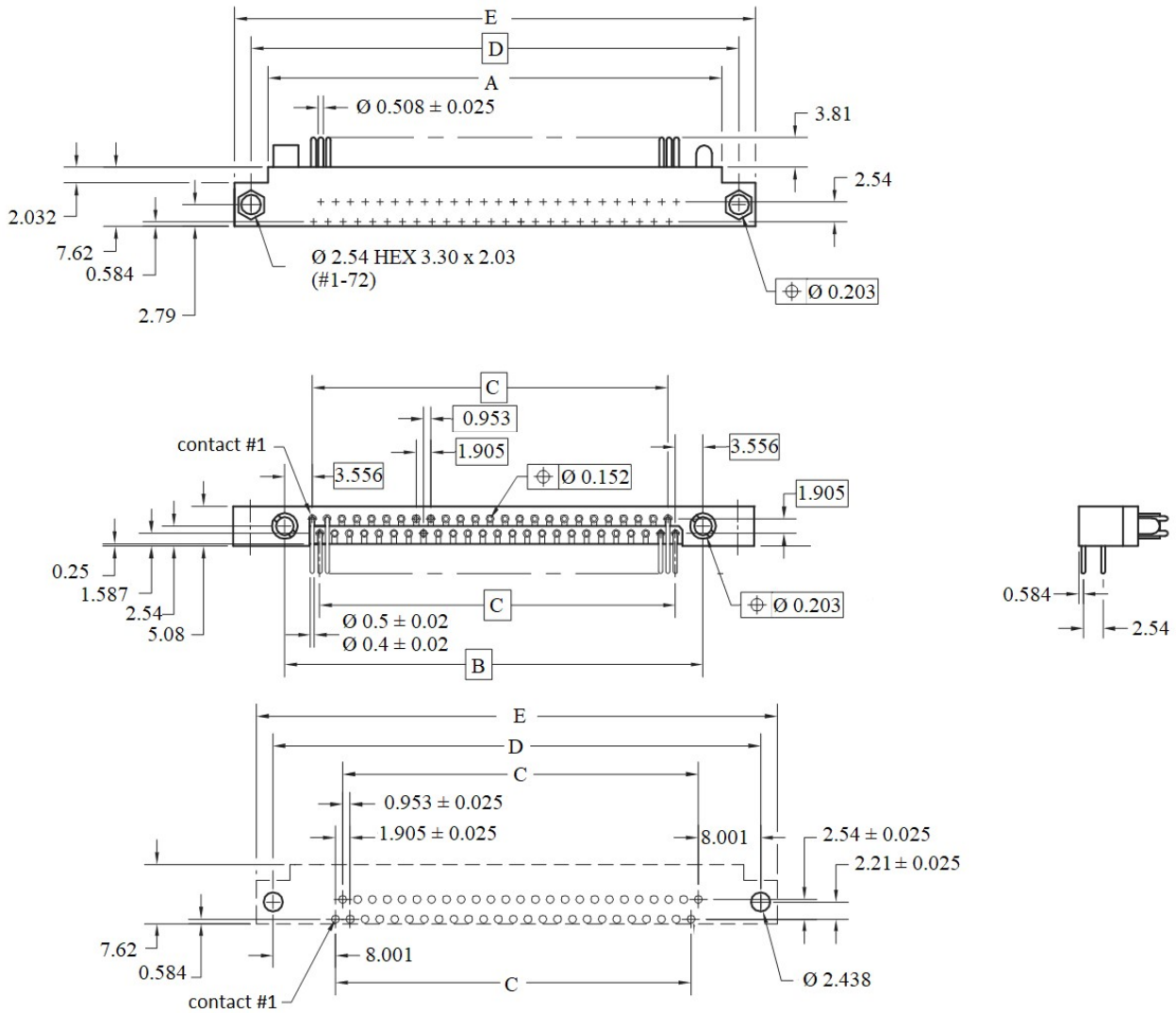


Two-Row, Receptacle, Straight Board-Mount, TRTM-222-***-201-***



Contact layouts	A	B	C	D	E	F
10	20.24	15.67	7.62	24.56	28.88	10.67
20	29.77	25.20	17.15	34.09	38.40	20.19
30	39.29	34.72	26.67	43.61	47.93	29.72
40	48.82	44.25	36.20	53.14	57.45	39.24
50	58.34	53.77	45.72	62.66	66.98	48.77
60	67.87	63.30	55.25	72.19	76.50	58.29
70	77.39	72.82	64.77	81.71	86.03	67.82
80	86.92	82.35	74.30	91.24	95.55	77.34
90	96.44	91.87	83.82	100.76	105.08	86.87
100	105.97	101.40	93.35	110.29	114.60	96.39

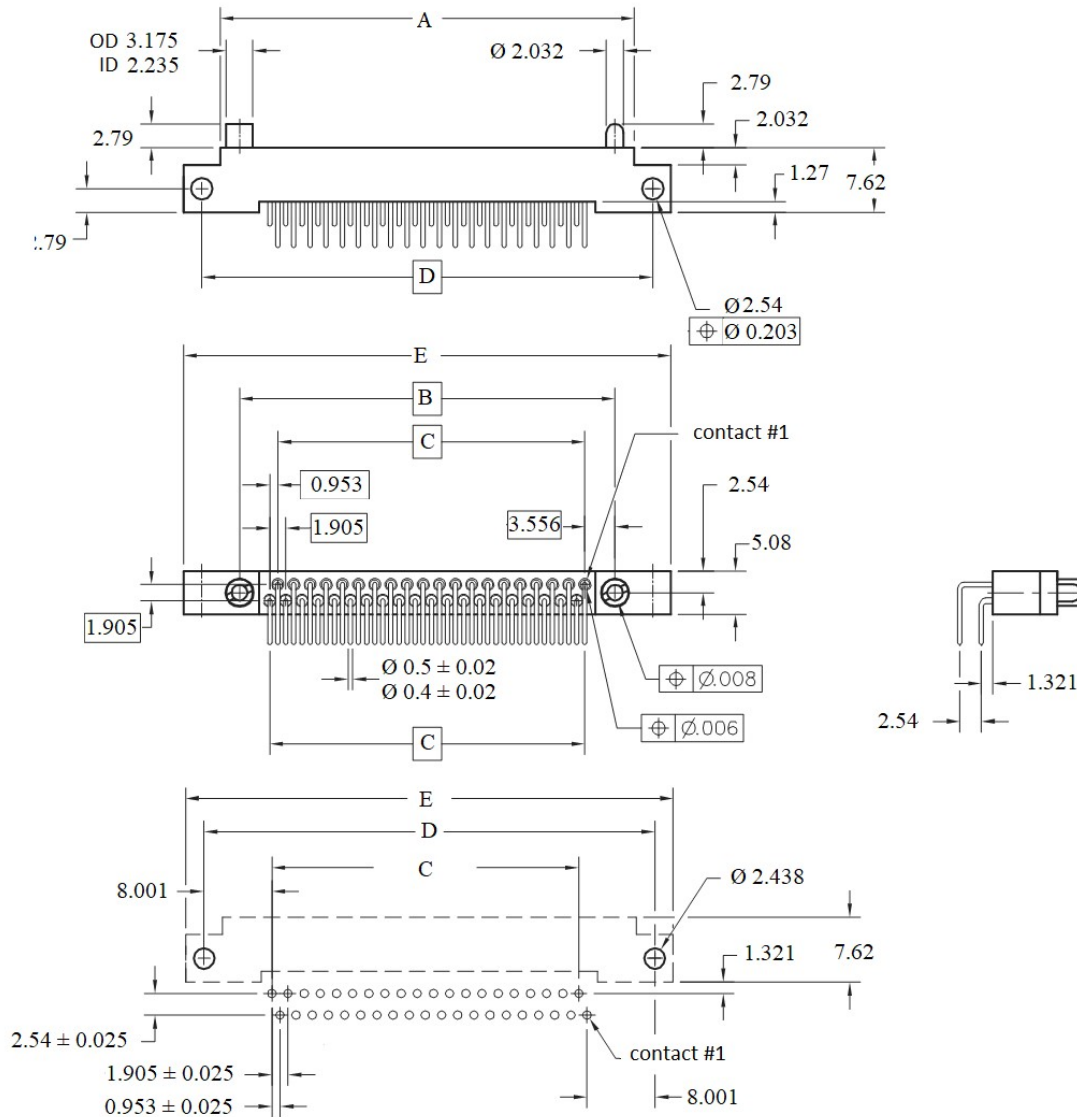
Two-Row, Plug, Right-Angle Board-Mount, TRTM-252-***-311-***



Contact layouts	A	B	C	D	E
10	20.24	15.67	7.62	24.56	28.88
20	29.77	25.20	17.15	34.09	38.40
30	39.29	34.72	26.67	43.61	47.93
40	48.82	44.25	36.20	53.14	57.45
50	58.34	53.77	45.72	62.66	66.98
60	67.87	63.30	55.25	72.19	76.50
70	77.39	72.82	64.77	81.71	86.03
80	86.92	82.35	74.30	91.24	95.55
90	96.44	91.87	83.82	100.76	105.08
100	105.97	101.40	93.35	110.29	114.60



Two-Row, Receptacle, Right-Angle Board-Mount, TRTM-262-***-441-***





TRTM – Three-Row, Straight & Right-Angle, Board-Mount Plug & Receptacle, Contact Spacing: 1.91 mm

TRTM – Series products are high-density, plastic connectors commonly used in board-to-board applications. According to MIL-55302 standard

Ordering information

Basic series	TRTM	3	1	2	-011	-10	1	-55	00
3 – 3-Row									
Shell Style:									
1 – Plug, straight with mounting ears									
3 – Plug, straight without mounting ears									
5 – Plug, right-angle with mounting ears									
7 – Plug, right-angle without mounting ears									
Body material:									
2 – Polyphenylene sulfide (PPS)									
Contact layouts:									
011 – 11 contacts									
023 – 23 contacts									
035 – 35 contacts									
047 – 47 contacts									
059 – 59 contacts									
071 – 71 contacts									
080 – 80 contacts									
092 – 92 contacts									
104 – 104 contacts									
122 – 122 contacts									
140 – 140 contacts									
152 – 152 contacts									
182 – 182 contacts									
206 – 206 contacts									
Termination Type:									
10 – Straight Board-Mount, 2.77 x \varnothing 0.5 ± 0.02									
11 – Solder cup, \varnothing 0.7 + 0.08/0									
12 – Straight Board-Mount, 3.56 x \varnothing 0.5 ± 0.02									
13 – Straight Board-Mount, 4.37 x \varnothing 0.5 ± 0.02									
31 – Right-Angle Board-Mount, 2.77 x \varnothing 0.5 ± 0.02									
32 – Right-Angle Board-Mount, 3.56 x \varnothing 0.5 ± 0.02									
33 – Right-Angle Board-Mount, 4.37 x \varnothing 0.5 ± 0.02									
34 – Right-Angle Board-Mount, 2.77 x \varnothing 0.4 ± 0.02									
35 – Right-Angle Board-Mount, 3.56 x \varnothing 0.4 ± 0.02									
36 – Right-Angle Board-Mount, 4.37 x \varnothing 0.4 ± 0.02									
PC tail plating:									
1 – Gold									
2 – Pre-tinned, SnPb alloy (for PCB mount only)									
Hardware type:									
0256 – None									
55 – Guide set									
57 – Two guide pins									
29 – Fixed jackset									
30 – Fixed jackset, reversed									
19 – Two fixed jackscrews									
59 – Hex turning jackset, 5.08									
60 – Hex turning jackset reversed, 5.08									
61 – Two hex turning jackscrews, 5.08									
64 – Turning jackset, 12.45									
Polarization:									
00 – None									
up 01 to 64 – Connector supplied with polarization keys installed									

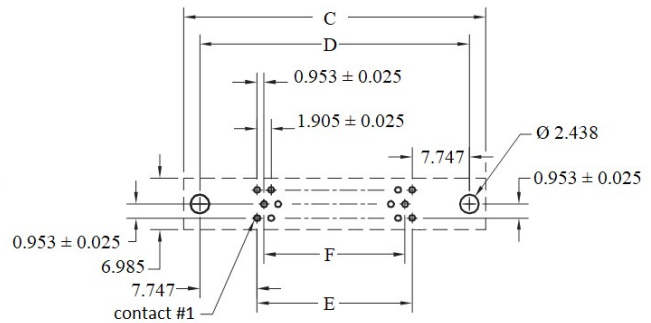
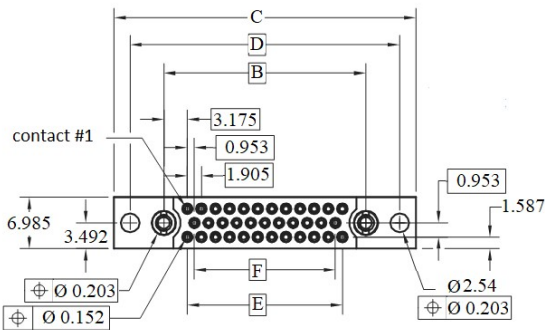
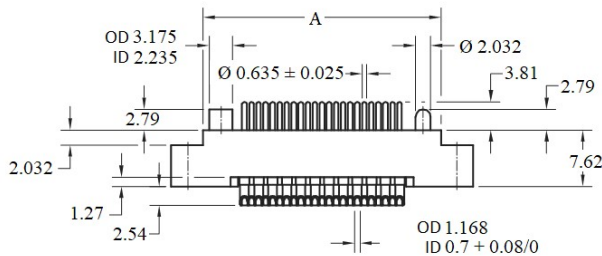


Ordering information

Basic series	TRTM	3	2	2	-011	-10	1	-55	00
3 – 3-Row									
Shell Style:									
2 – Receptacle, straight with mounting ears									
4 – Receptacle, straight without mounting ears									
6 – Receptacle, right-angle with mounting ears									
8 – Receptacle, right-angle without mounting ears									
Body material:									
2 – Polyphenylene sulfide (PPS)									
Contact layouts:									
011 – 11 contacts									
023 – 23 contacts									
035 – 35 contacts									
047 – 47 contacts									
059 – 59 contacts									
071 – 71 contacts									
080 – 80 contacts									
092 – 92 contacts									
104 – 104 contacts									
122 – 122 contacts									
140 – 140 contacts									
152 – 152 contacts									
182 – 182 contacts									
206 – 206 contacts									
Termination Type:									
20 – Straight Board-Mount, 2.77 x \varnothing 0.5 ± 0.02									
21 – Straight Board-Mount, 3.56 x \varnothing 0.5 ± 0.02									
22 – Straight Board-Mount, 4.37 x \varnothing 0.5 ± 0.02									
24 – Solder cup, \varnothing 0.7 + 0.08/0									
26 – Flex circuit, 12.7 x \square 0.46 ± 0.02									
27 – Flex circuit, 9.53 x \square 0.46 ± 0.02									
28 – Flex circuit, 15.88 x \square 0.46 ± 0.02									
44 – Right-Angle Board-Mount, 2.77 x \varnothing 0.5 ± 0.02									
45 – Right-Angle Board-Mount, 3.56 x \varnothing 0.5 ± 0.02									
46 – Right-Angle Board-Mount, 4.37 x \varnothing 0.5 ± 0.02									
47 – Right-Angle Board-Mount, 6.35 x \varnothing 0.5 ± 0.02									
51 – Straight Board-Mount, 4.37 x \varnothing 0.4 ± 0.02									
PC tail plating:									
1 – Gold									
2 – Pre-tinned, SnPb alloy (for PCB mount only)									
Hardware type:									
0256 – None									
55 – Guide set									
57 – Two guide pins									
58 – Two guide sockets									
29 – Fixed jackset									
30 – Fixed jackset, reversed									
19 – Two fixed jackscrews									
20 – Two fixed jacksockets									
59 – Hex turning jackset, 5.08									
60 – Hex turning jackset reversed, 5.08									
61 – Two hex turning jackscrews, 5.08									
62 – Two hex turning jacksockets, 5.08									
64 – Turning jackset, 12.45									
Polarization:									
00 – None									
up 01 to 64 – Connector supplied with polarization keys installed									

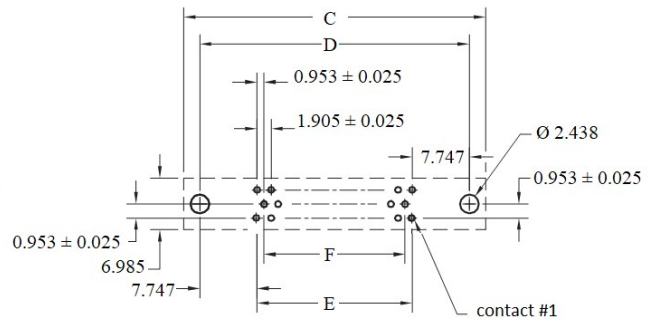
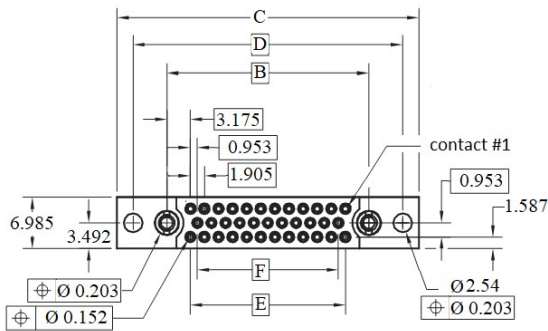
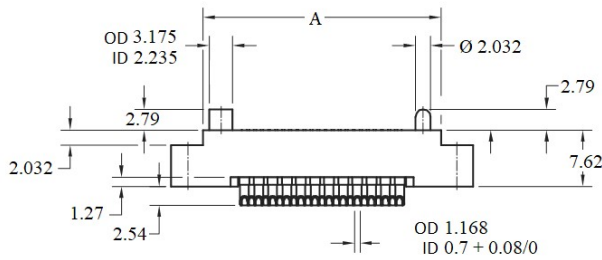
Dimensions

Three-Row, Plug, Solder cup, TRTM-312-***-111-***



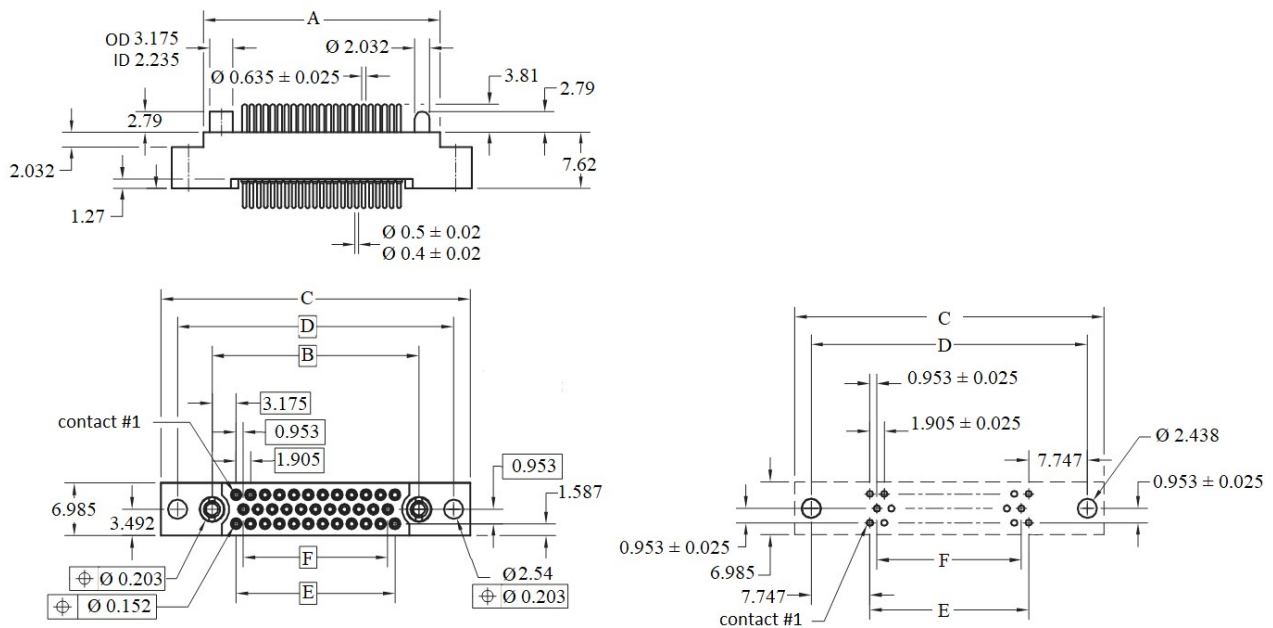
Contact layouts	A	B	C	D	E	F
11	16.89	12.07	25.53	21.21	5.72	3.81
23	24.51	19.69	33.15	28.83	13.34	11.43
35	32.13	27.31	40.77	36.45	20.96	19.05
47	39.75	34.93	48.39	36.45	28.58	26.67
59	47.37	42.55	56.01	44.07	36.20	34.29
71	54.99	50.17	63.63	51.69	43.82	41.91
80	60.71	55.88	69.34	59.31	49.53	47.63
92	68.33	63.50	76.96	65.02	57.15	55.25
104	75.95	71.12	84.58	72.64	64.77	62.87
122	87.38	82.55	96.01	80.26	76.20	74.30
140	98.81	93.98	107.44	91.69	87.63	85.73
152	106.43	101.60	115.06	103.12	95.25	93.35
182	125.48	120.65	134.11	110.74	114.30	112.40
206	140.72	135.89	149.35	129.79	129.54	127.64

Three-Row, Receptacle, Solder cup, TRTM-322-***-241-***



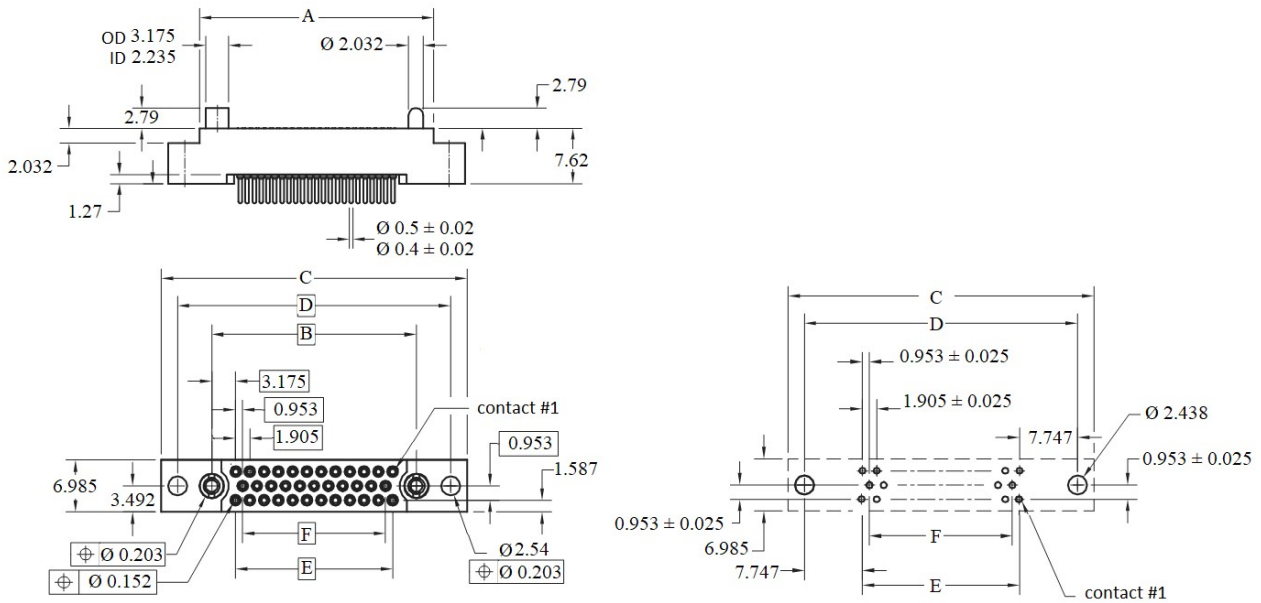
Contact layouts	A	B	C	D	E	F
11	16.89	12.07	25.53	21.21	5.72	3.81
23	24.51	19.69	33.15	28.83	13.34	11.43
35	32.13	27.31	40.77	36.45	20.96	19.05
47	39.75	34.93	48.39	36.45	28.58	26.67
59	47.37	42.55	56.01	44.07	36.20	34.29
71	54.99	50.17	63.63	51.69	43.82	41.91
80	60.71	55.88	69.34	59.31	49.53	47.63
92	68.33	63.50	76.96	65.02	57.15	55.25
104	75.95	71.12	84.58	72.64	64.77	62.87
122	87.38	82.55	96.01	80.26	76.20	74.30
140	98.81	93.98	107.44	91.69	87.63	85.73
152	106.43	101.60	115.06	103.12	95.25	93.35
182	125.48	120.65	134.11	110.74	114.30	112.40
206	140.72	135.89	149.35	129.79	129.54	127.64

Three-Row, Plug, Straight Board-Mount, TRTM-312-***-101-***



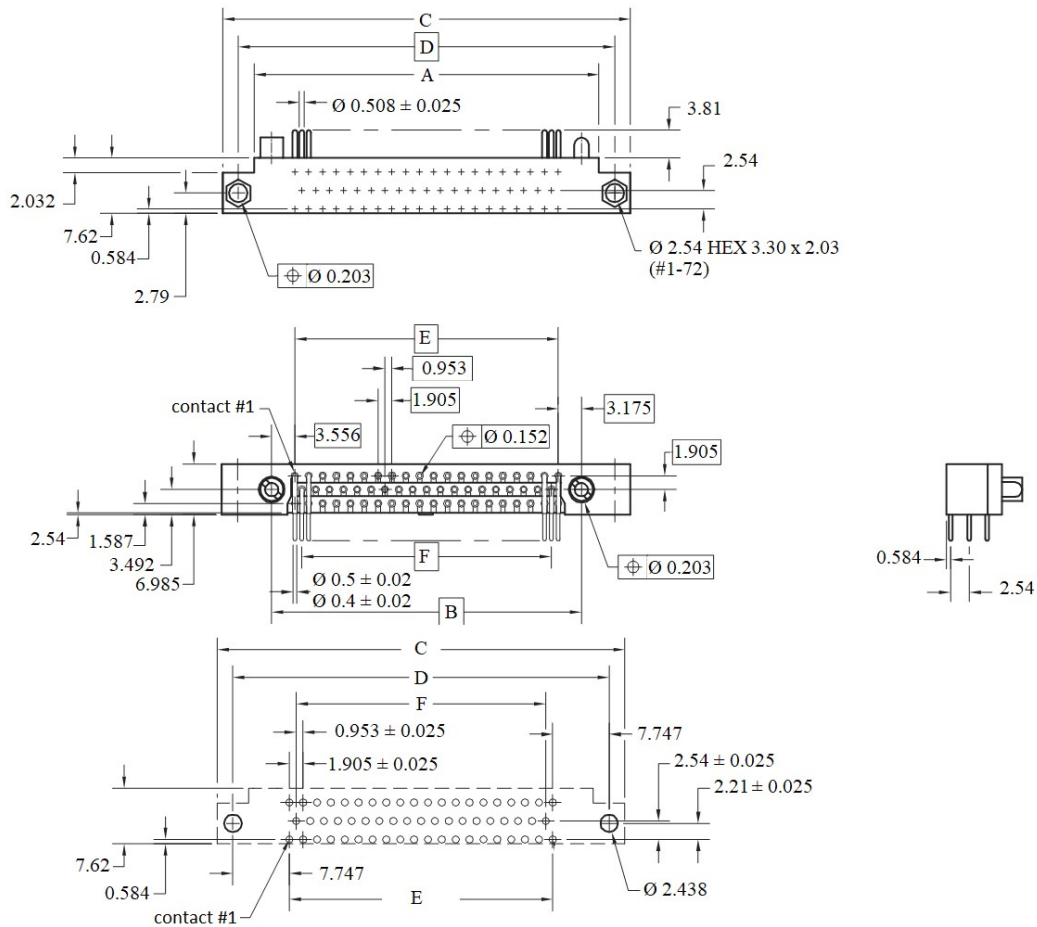
Contact layouts	A	B	C	D	E	F
11	16.89	12.07	25.53	21.21	5.72	3.81
23	24.51	19.69	33.15	28.83	13.34	11.43
35	32.13	27.31	40.77	36.45	20.96	19.05
47	39.75	34.93	48.39	36.45	28.58	26.67
59	47.37	42.55	56.01	44.07	36.20	34.29
71	54.99	50.17	63.63	51.69	43.82	41.91
80	60.71	55.88	69.34	59.31	49.53	47.63
92	68.33	63.50	76.96	65.02	57.15	55.25
104	75.95	71.12	84.58	72.64	64.77	62.87
122	87.38	82.55	96.01	80.26	76.20	74.30
140	98.81	93.98	107.44	91.69	87.63	85.73
152	106.43	101.60	115.06	103.12	95.25	93.35
182	125.48	120.65	134.11	110.74	114.30	112.40
206	140.72	135.89	149.35	129.79	129.54	127.64

Three-Row, Receptacle, Straight Board-Mount, TRTM-322-***-201-***



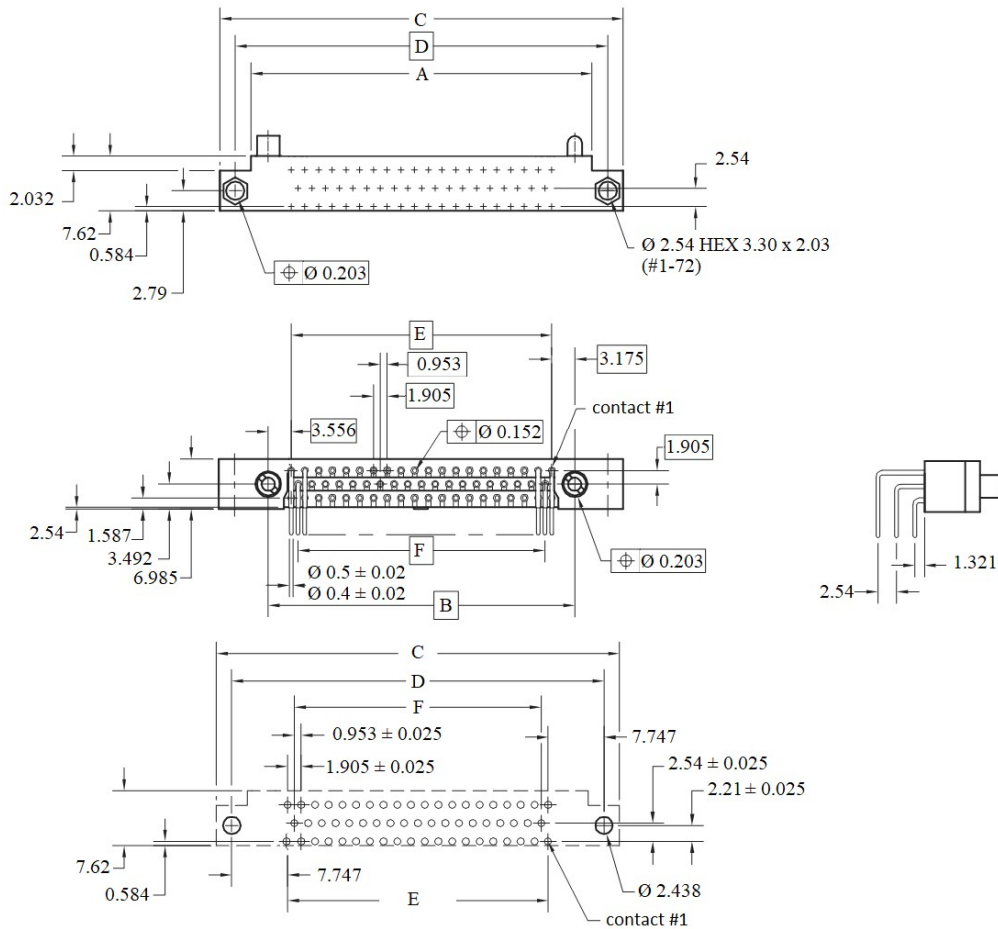
Contact layouts	A	B	C	D	E	F
11	16.89	12.07	25.53	21.21	5.72	3.81
23	24.51	19.69	33.15	28.83	13.34	11.43
35	32.13	27.31	40.77	36.45	20.96	19.05
47	39.75	34.93	48.39	36.45	28.58	26.67
59	47.37	42.55	56.01	44.07	36.20	34.29
71	54.99	50.17	63.63	51.69	43.82	41.91
80	60.71	55.88	69.34	59.31	49.53	47.63
92	68.33	63.50	76.96	65.02	57.15	55.25
104	75.95	71.12	84.58	72.64	64.77	62.87
122	87.38	82.55	96.01	80.26	76.20	74.30
140	98.81	93.98	107.44	91.69	87.63	85.73
152	106.43	101.60	115.06	103.12	95.25	93.35
182	125.48	120.65	134.11	110.74	114.30	112.40
206	140.72	135.89	149.35	129.79	129.54	127.64

Three-Row, Plug, Right-Angle Board-Mount, TRTM-352-***-311-***



Contact layouts	A	B	C	D	E	F
11	16.89	12.07	25.53	21.21	5.72	3.81
23	24.51	19.69	33.15	28.83	13.34	11.43
35	32.13	27.31	40.77	36.45	20.96	19.05
47	39.75	34.93	48.39	36.45	28.58	26.67
59	47.37	42.55	56.01	44.07	36.20	34.29
71	54.99	50.17	63.63	51.69	43.82	41.91
80	60.71	55.88	69.34	59.31	49.53	47.63
92	68.33	63.50	76.96	65.02	57.15	55.25
104	75.95	71.12	84.58	72.64	64.77	62.87
122	87.38	82.55	96.01	80.26	76.20	74.30
140	98.81	93.98	107.44	91.69	87.63	85.73
152	106.43	101.60	115.06	103.12	95.25	93.35
182	125.48	120.65	134.11	110.74	114.30	112.40
206	140.72	135.89	149.35	129.79	129.54	127.64

Three-Row, Receptacle, Right-Angle Board-Mount, TRTM-362-***-441-***



Contact layouts	A	B	C	D	E	F
11	16.89	12.07	25.53	21.21	5.72	3.81
23	24.51	19.69	33.15	28.83	13.34	11.43
35	32.13	27.31	40.77	36.45	20.96	19.05
47	39.75	34.93	48.39	36.45	28.58	26.67
59	47.37	42.55	56.01	44.07	36.20	34.29
71	54.99	50.17	63.63	51.69	43.82	41.91
80	60.71	55.88	69.34	59.31	49.53	47.63
92	68.33	63.50	76.96	65.02	57.15	55.25
104	75.95	71.12	84.58	72.64	64.77	62.87
122	87.38	82.55	96.01	80.26	76.20	74.30
140	98.81	93.98	107.44	91.69	87.63	85.73
152	106.43	101.60	115.06	103.12	95.25	93.35
182	125.48	120.65	134.11	110.74	114.30	112.40
206	140.72	135.89	149.35	129.79	129.54	127.64



TRTM – Four-Row, Straight & Right-Angle, Board-Mount Plug & Receptacle, Contact Spacing: 1.91 mm

TRTM – Series products are high-density, plastic connectors commonly used in board-to-board applications. According to MIL-55302 standard

Ordering information

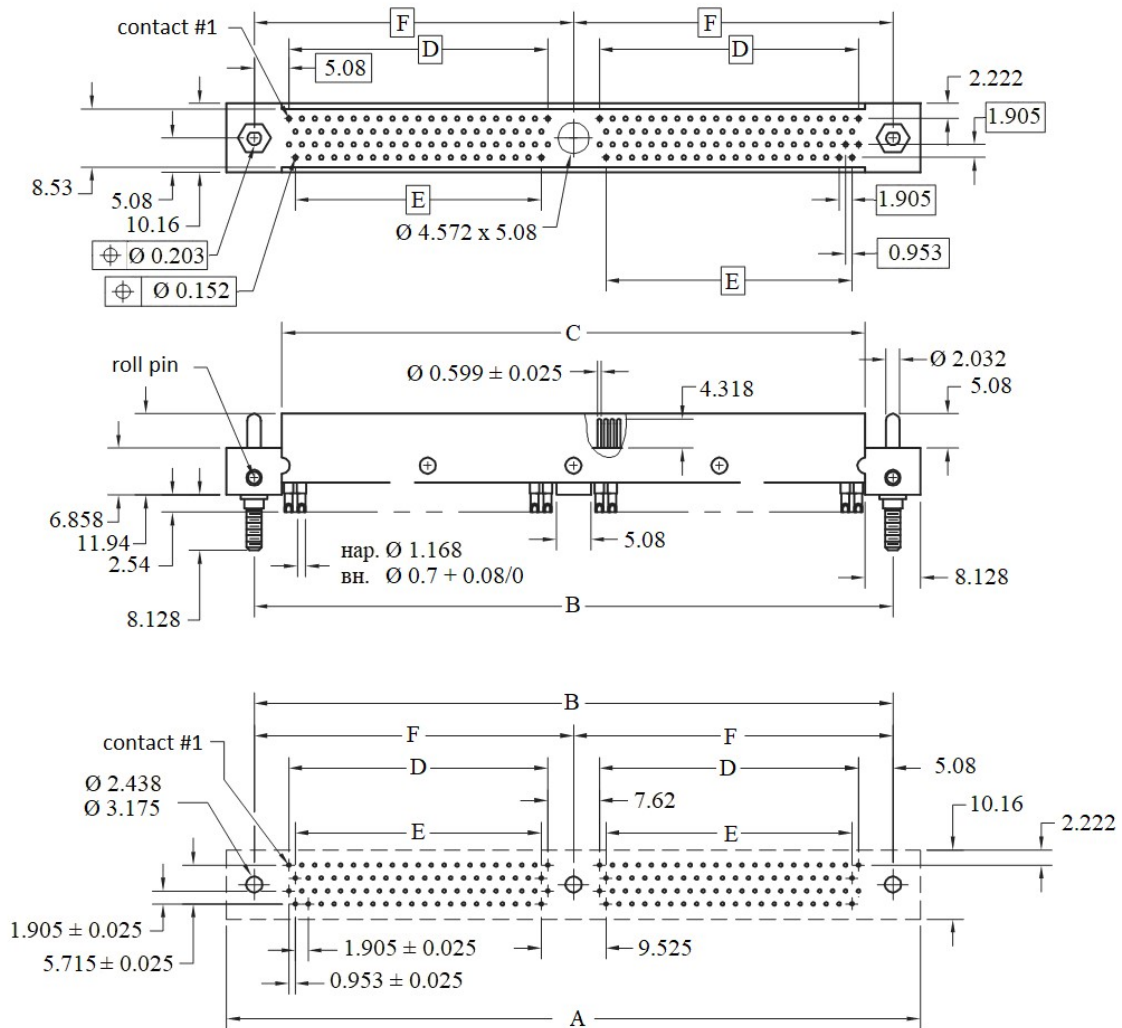
Basic series	TRTM	4	1	2	-086	-17	1	-84	00
4 – 4-Row									
Shell Style:									
1 – Plug, straight with mounting ears									
5 – Plug, right-angle with mounting ears									
Body material:									
2 – Polyphenylene sulfide (PPS)									
Contact layouts:									
086 – 86 contacts									
110 – 110 contacts									
164 – 164 contacts									
196 – 196 contacts									
204 – 204 contacts									
220 – 220 contacts									
250 – 250 contacts									
276 – 276 contacts									
300 – 300 contacts									
404 – 404 contacts									
Termination Type:									
17 – Solder cup, $\varnothing 0.7 + 0.08/0$									
19 – SMT, 0.356 x 0.0178									
31 – Right-Angle Board-Mount, 2.77 x $\varnothing 0.48 \pm 0.02$									
32 – Right-Angle Board-Mount, 3.56 x $\varnothing 0.48 \pm 0.02$									
33 – Right-Angle Board-Mount, 4.37 x $\varnothing 0.48 \pm 0.02$									
51 – Straight Board-Mount, 2.77 x $\varnothing 0.46 \pm 0.02$									
52 – Straight Board-Mount, 3.56 x $\varnothing 0.46 \pm 0.02$									
53 – Straight Board-Mount, 4.37 x $\varnothing 0.46 \pm 0.02$									
PC tail plating:									
1 – Gold									
2 – Pre-tinned, SnPb alloy (for PCB mount only)									
Hardware type:									
0256 – None									
84 – Fixed jackset, reversed, #2-56 x 8.13 (for Plug, straight with mounting ears, only)									
90 – Guide pins, full round, #2-56 x 8.13									
92 – Hex turning jackset, 0.5 (for Plug, straight with mounting ears, only)									
93 – Fixed jackset, #2-56 x 6.27									
94 – Fixed jackset, #2-56 x 8.13 (for Plug, straight with mounting ears, only)									
95 – Guide pins, polarized, #2-56 x 8.13, set									
up 9501 to 9536 – Guide pins, polarized, #2-56 x 8.13									
99 – Guide pins, universal, #2-56 x 8.13									
Polarization:									
00 – None									
up 01 to 36 – Connector supplied with polarization keys installed									



Ordering information

Basic series	TRTM	4	2	2	-086	-76	1	-91	00
4 – 4-Row									
Shell Style:									
2 – Receptacle, straight with mounting ears									
6 – Receptacle, right-angle with mounting ears									
Body material:									
2 – Polyphenylene sulfide (PPS)									
Contact layouts:									
086 – 86 contacts									
110 – 110 contacts									
164 – 164 contacts									
196 – 196 contacts									
204 – 204 contacts									
220 – 220 contacts									
250 – 250 contacts									
276 – 276 contacts									
300 – 300 contacts									
404 – 404 contacts									
Termination Type:									
75 – Straight Board-Mount, 6.35 x \varnothing 0.46 \pm 0.02									
76 – Solder cup, \varnothing 0.7 + 0.08/0									
78 – Flex circuit, 12.7 x \square 0.46 \pm 0.02									
79 – Flex circuit, 9.53 x \square 0.46 \pm 0.02									
81 – Straight Board-Mount, 2.77 x \varnothing 0.46 \pm 0.02									
82 – Straight Board-Mount, 3.56 x \varnothing 0.46 \pm 0.02									
83 – Straight Board-Mount, 4.37 x \varnothing 0.46 \pm 0.02									
84 – Right-Angle Board-Mount, 2.77 x \varnothing 0.48 \pm 0.02									
85 – Right-Angle Board-Mount, 3.56 x \varnothing 0.48 \pm 0.02									
86 – Right-Angle Board-Mount, 4.37 x \varnothing 0.48 \pm 0.02									
PC tail plating:									
1 – Gold									
2 – Pre-tinned, SnPb alloy (for PCB mount only)									
Hardware type:									
0256 – None									
84 – Fixed jackset, reversed, #2-56 x 8.13 (for Receptacle, straight with mounting ears, only)									
91 – Guide sockets, full round, #2-56 x 6.27									
92 – Hex turning jackset, 0.5									
93 – Fixed jackset, #2-56 x 6.27									
94 – Fixed jackset, #2-56 x 8.13 (for Receptacle, straight with mounting ears, only)									
96 – Guide sockets, polarized, #2-56 x 8.13, set									
up 9501 to 9536 – Guide sockets, polarized, #2-56 x 8.13									
97 – Guide sockets, polarized, #2-56 x 6.27, set									
up 9701 to 9736 – Guide sockets, polarized, #2-56 x 6.27									
98 – Guide sockets, universal, #2-56 x 6.27									
Polarization:									
00 – None									
up 01 to 36 – Connector supplied with polarization keys installed									

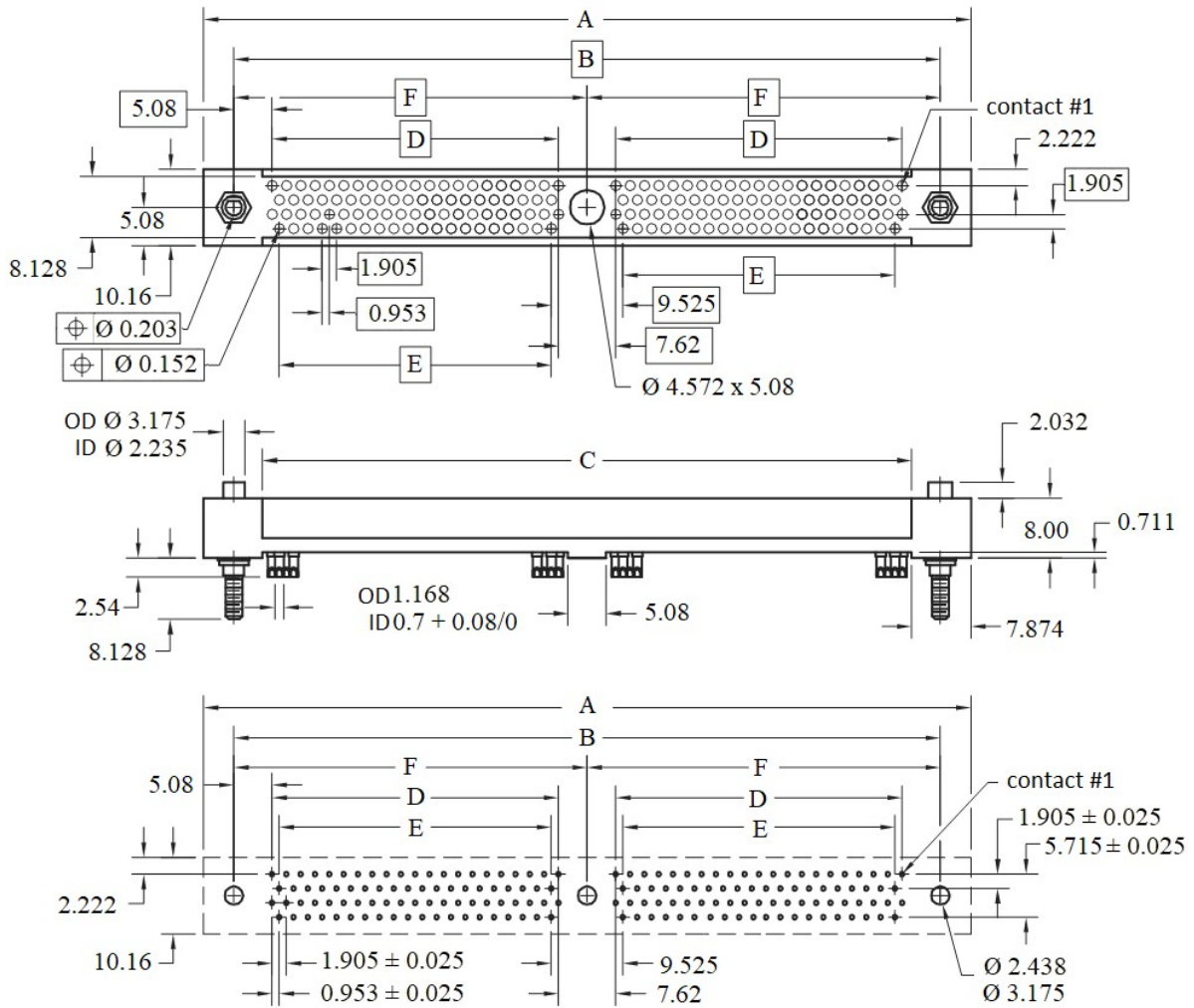
Four-Row, Plug, Solder cup, TRTM-412-***-171-***



Contact layouts	A	B	C	D	E	F
86*	57.28	50.17	42.04	40.01	38.10	–
110*	69.72	61.60	53.47	51.44	49.53	–
164	102.11	93.98	85.85	38.10	36.20	46.99
196	117.35	109.22	101.09	38.10	43.82	54.61
204	121.16	113.03	104.90	45.72	45.72	56.52
220	128.78	120.65	112.52	47.63	49.53	60.33
250*	136.40	128.27	120.14	51.44	116.21	–
276	155.45	147.32	139.19	118.11	62.87	73.66
300	166.88	158.75	150.62	64.77	68.58	79.38
404	216.41	208.28	200.15	70.49	93.35	104.14

* – Single section, no center mounting hole

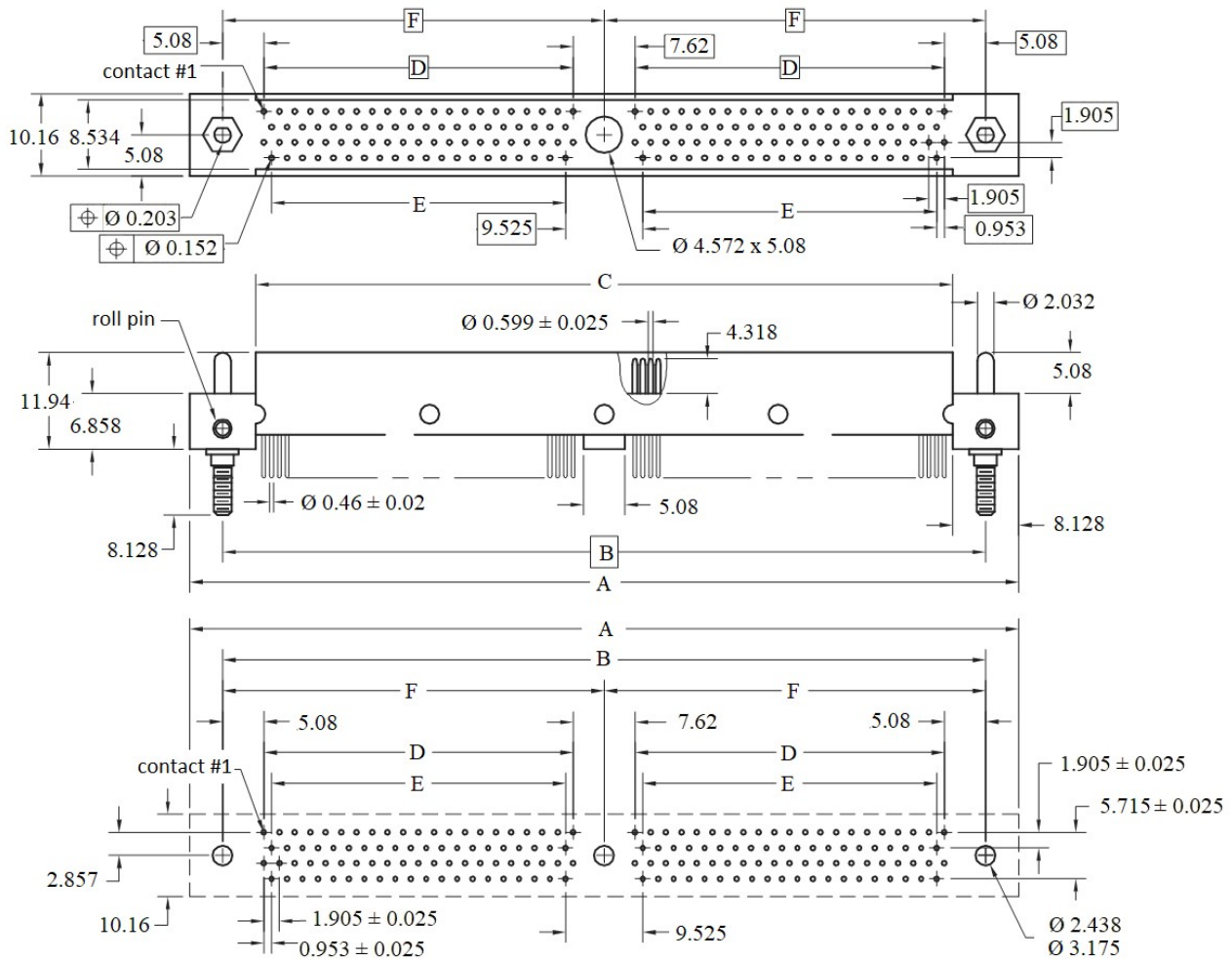
Four-Row, Receptacle, Solder cup, TRTM-422-***-761-***



Contact layouts	A	B	C	D	E	F
86*	57.28	50.17	42.04	40.01	38.10	–
110*	69.72	61.60	53.47	51.44	49.53	–
164	102.11	93.98	85.85	38.10	36.20	46.99
196	117.35	109.22	101.09	38.10	43.82	54.61
204	121.16	113.03	104.90	45.72	45.72	56.52
220	128.78	120.65	112.52	47.63	49.53	60.33
250*	136.40	128.27	120.14	51.44	116.21	–
276	155.45	147.32	139.19	118.11	62.87	73.66
300	166.88	158.75	150.62	64.77	68.58	79.38
404	216.41	208.28	200.15	70.49	93.35	104.14

* – Single section, no center mounting hole

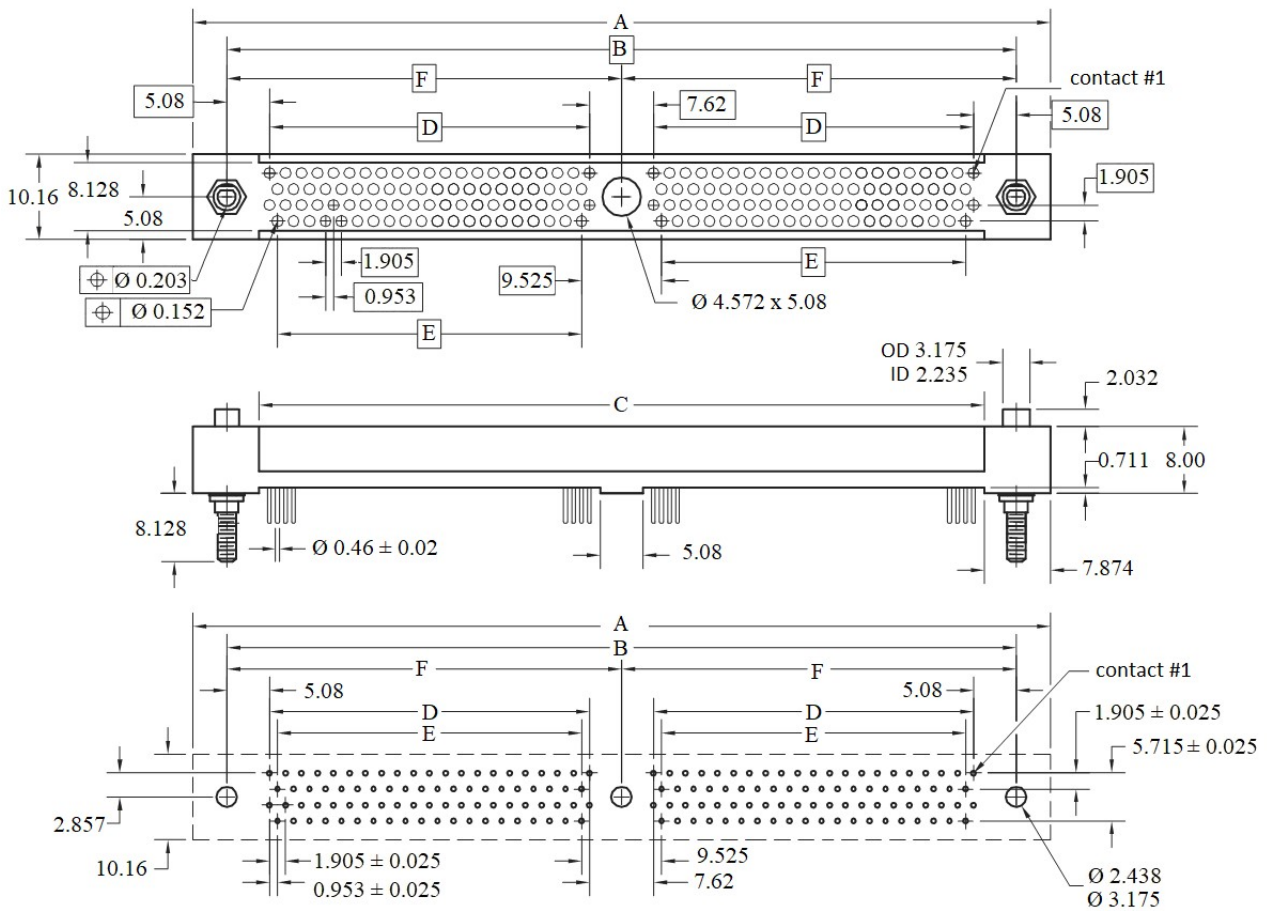
Four-Row, Plug, Straight Board-Mount, TRTM-412-***-571-***



Contact layouts	A	B	C	D	E	F
86*	57.28	50.17	42.04	40.01	38.10	-
110*	69.72	61.60	53.47	51.44	49.53	-
164	102.11	93.98	85.85	38.10	36.20	46.99
196	117.35	109.22	101.09	38.10	43.82	54.61
204	121.16	113.03	104.90	45.72	45.72	56.52
220	128.78	120.65	112.52	47.63	49.53	60.33
250*	136.40	128.27	120.14	51.44	116.21	-
276	155.45	147.32	139.19	118.11	62.87	73.66
300	166.88	158.75	150.62	64.77	68.58	79.38
404	216.41	208.28	200.15	70.49	93.35	104.14

* – Single section, no center mounting hole

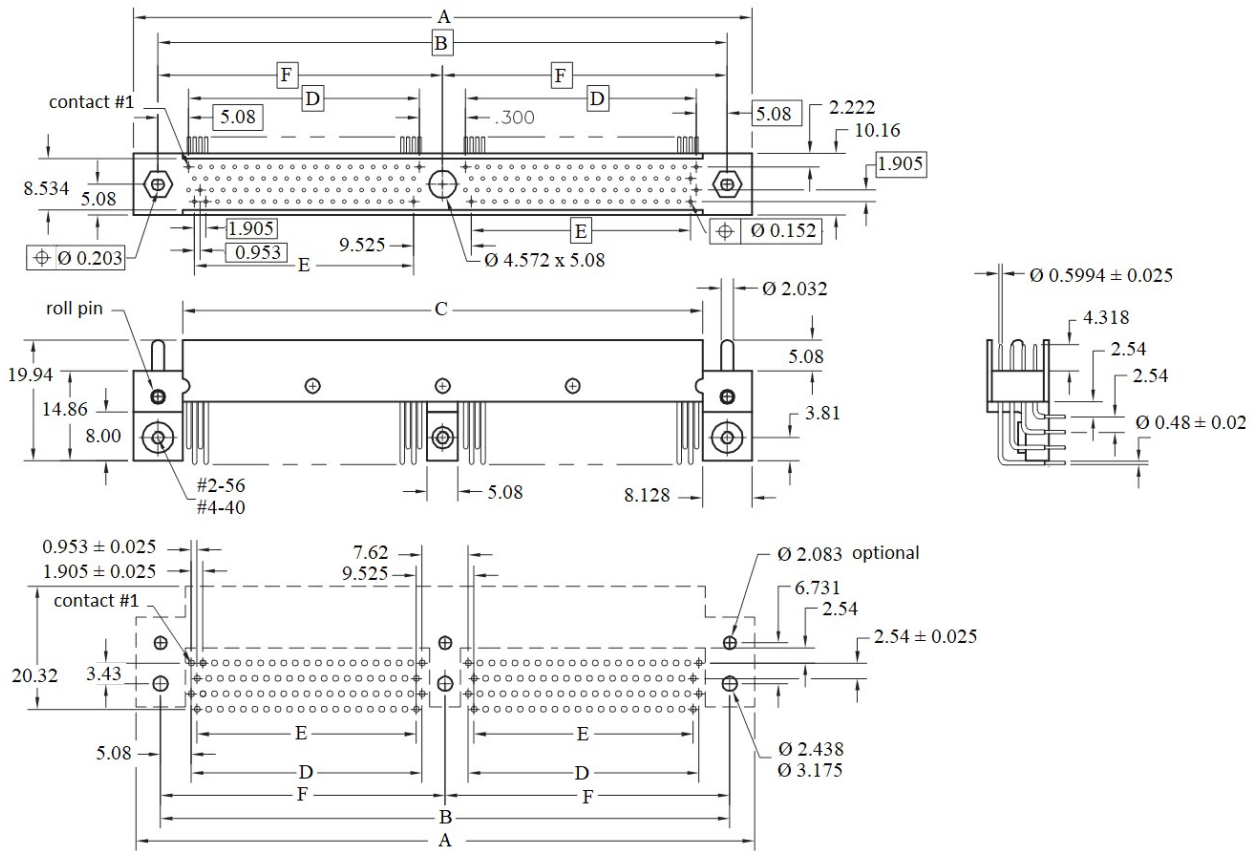
Four-Row, Receptacle, Straight Board-Mount, TRTM-422-***-811-***



Contact layouts	A	B	C	D	E	F
86*	57.28	50.17	42.04	40.01	38.10	—
110*	69.72	61.60	53.47	51.44	49.53	—
164	102.11	93.98	85.85	38.10	36.20	46.99
196	117.35	109.22	101.09	38.10	43.82	54.61
204	121.16	113.03	104.90	45.72	45.72	56.52
220	128.78	120.65	112.52	47.63	49.53	60.33
250*	136.40	128.27	120.14	51.44	116.21	—
276	155.45	147.32	139.19	118.11	62.87	73.66
300	166.88	158.75	150.62	64.77	68.58	79.38
404	216.41	208.28	200.15	70.49	93.35	104.14

* – Single section, no center mounting hole

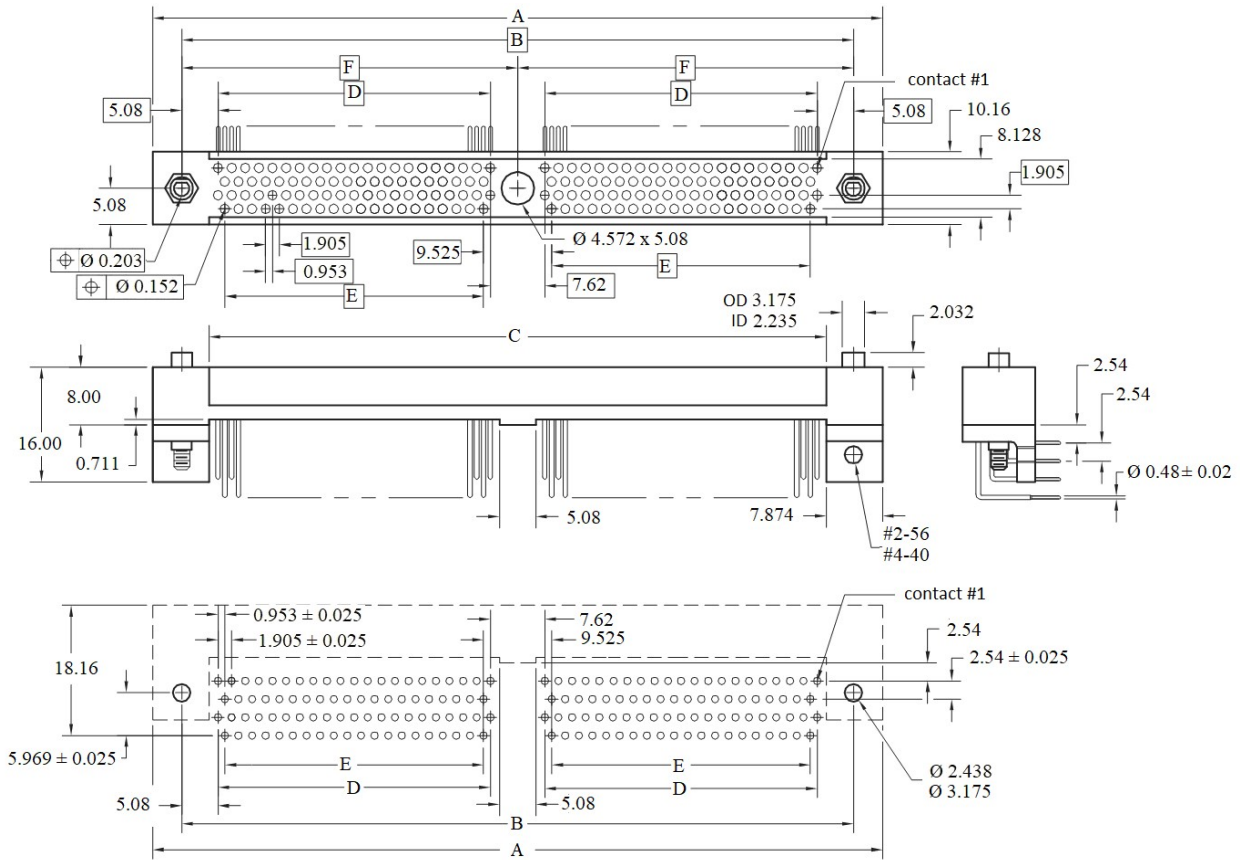
Four-Row, Plug, Right-Angle Board-Mount, TRTM-452-***-311-***



Contact layouts	A	B	C	D	E	F
86*	57.28	50.17	42.04	40.01	38.10	–
110*	69.72	61.60	53.47	51.44	49.53	–
164	102.11	93.98	85.85	38.10	36.20	46.99
196	117.35	109.22	101.09	38.10	43.82	54.61
204	121.16	113.03	104.90	45.72	45.72	56.52
220	128.78	120.65	112.52	47.63	49.53	60.33
250*	136.40	128.27	120.14	51.44	116.21	–
276	155.45	147.32	139.19	118.11	62.87	73.66
300	166.88	158.75	150.62	64.77	68.58	79.38
404	216.41	208.28	200.15	70.49	93.35	104.14

* – Single section, no center mounting hole

Four-Row, Receptacle, Right-Angle Board-Mount, TRTM-462-***-841-***



Contact layouts	A	B	C	D	E	F
86*	57.28	50.17	42.04	40.01	38.10	–
110*	69.72	61.60	53.47	51.44	49.53	–
164	102.11	93.98	85.85	38.10	36.20	46.99
196	117.35	109.22	101.09	38.10	43.82	54.61
204	121.16	113.03	104.90	45.72	45.72	56.52
220	128.78	120.65	112.52	47.63	49.53	60.33
250*	136.40	128.27	120.14	51.44	116.21	–
276	155.45	147.32	139.19	118.11	62.87	73.66
300	166.88	158.75	150.62	64.77	68.58	79.38
404	216.41	208.28	200.15	70.49	93.35	104.14

* – Single section, no center mounting hole



TRTM – Six-Row, Straight & Right-Angle, Board-Mount Plug & Receptacle, Contact Spacing: 1.91 mm

TRTM – Series products are high-density, plastic connectors commonly used in board-to-board applications. According to MIL-55302 standard

Ordering information

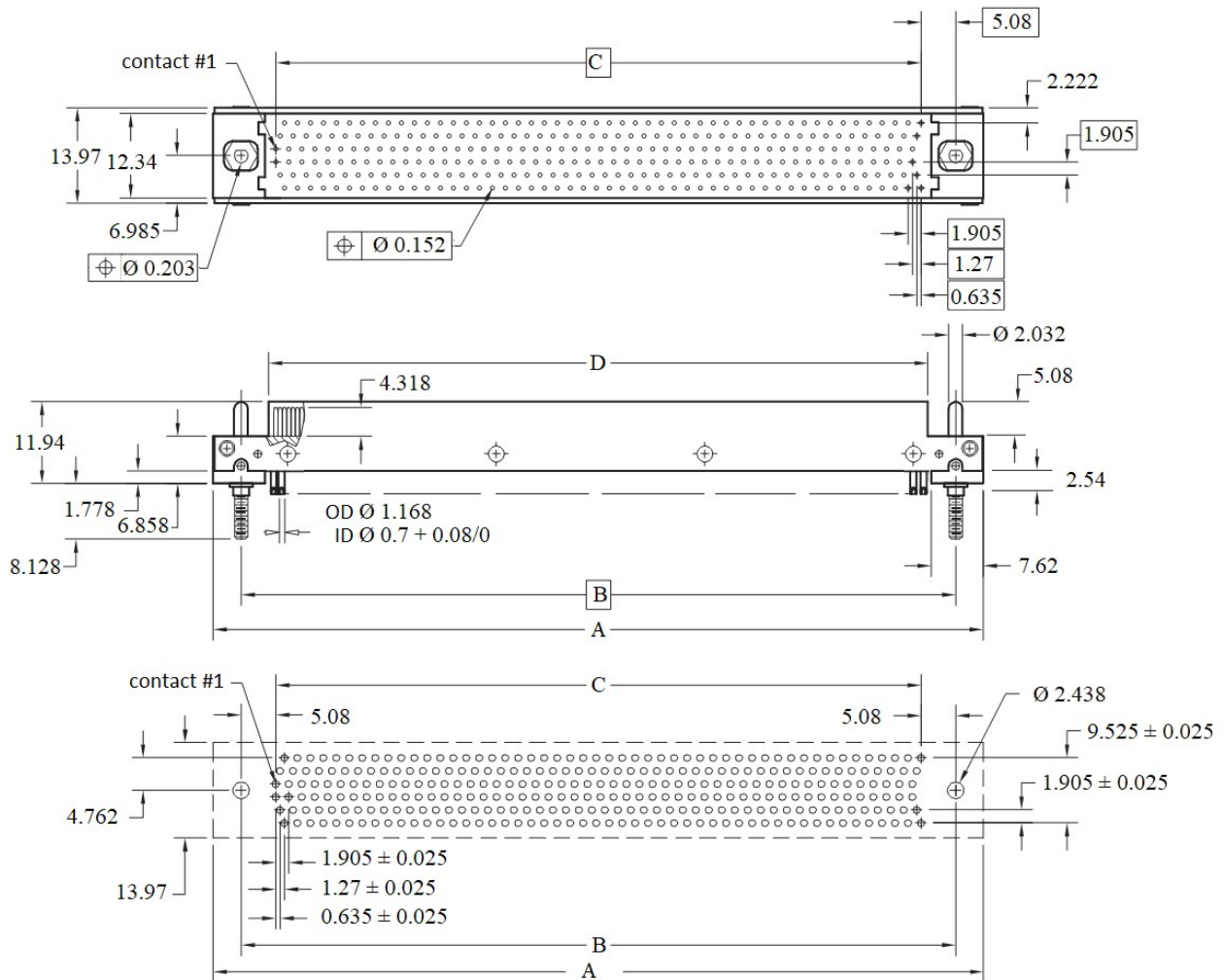
Basic series	TRTM	6	3	2	-162	-17	1	-84	00
6 – 6-Row									
Shell Style:									
3 – Plug, straight without mounting ears									
7 – Plug, right-angle without mounting ears									
Body material:									
2 – Polyphenylene sulfide (PPS)									
Contact layouts:									
162 – 162 contacts									
204 – 204 contacts									
252 – 252 contacts									
300 – 300 contacts									
360 – 360 contacts									
402 – 402 contacts									
Termination Type:									
17 – Solder cup, $\varnothing 0.7 + 0.08/0$									
19 – SMT, , 0.356 x 0.0178									
31 – Right-Angle Board-Mount, 2.77 x $\varnothing 0.48 \pm 0.02$									
32 – Right-Angle Board-Mount, 3.56 x $\varnothing 0.48 \pm 0.02$									
33 – Right-Angle Board-Mount, 4.37 x $\varnothing 0.48 \pm 0.02$									
51 – Straight Board-Mount, 2.77 x $\varnothing 0.46 \pm 0.02$									
52 – Straight Board-Mount, 3.56 x $\varnothing 0.46 \pm 0.02$									
53 – Straight Board-Mount, 4.37 x $\varnothing 0.46 \pm 0.02$									
PC tail plating:									
1 – Gold									
2 – Pre-tinned, SnPb alloy (for PCB mount only)									
Hardware type:									
0256 – None									
84 – Fixed jackset, reversed, #2-56 x 8.13 (for Plug, straight with mounting ears, only)									
90 – Guide pins, full round, #2-56 x 8.13									
92 – Hex turning jackset, 0.5 (for Plug, straight with mounting ears, only)									
93 – Fixed jackset, #2-56 x 6.27									
94 – Fixed jackset, #2-56 x 8.13 (for Plug, straight with mounting ears, only)									
95 – Guide pins, polarized, #2-56 x 8.13, set									
up 9501 to 9536 – Guide pins, polarized, #2-56 x 8.13									
99 – Guide pins, universal, #2-56 x 8.13									
Polarization:									
00 – None									
up 01 to 36 – Connector supplied with polarization keys installed									



Ordering information

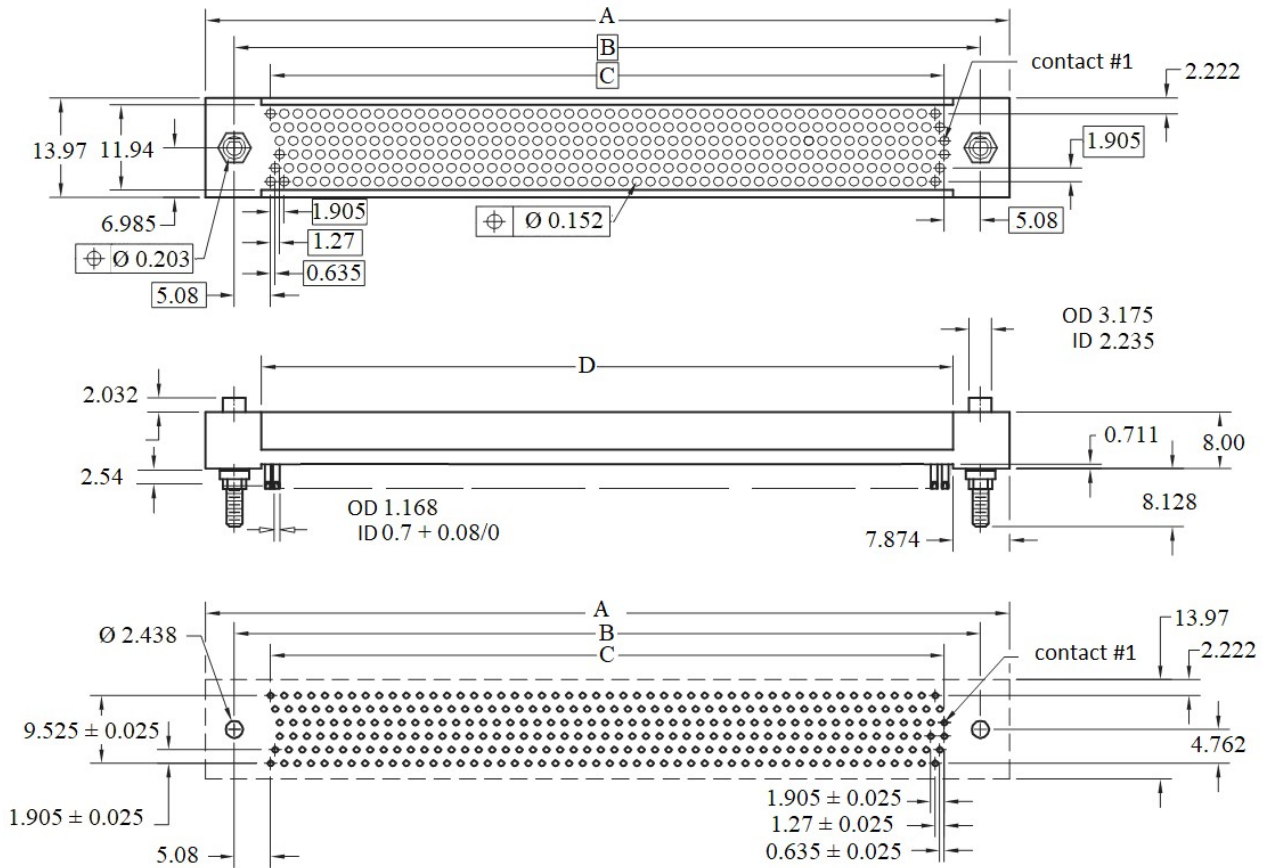
Basic series	TRTM	6	4	2	-162	-76	1	-91	00
6 – 6-Row									
Shell Style:									
4 – Receptacle, straight without mounting ears									
8 – Receptacle, right-angle without mounting ears									
Body material:									
2 – Polyphenylene sulfide (PPS)									
Contact layouts:									
162 – 162 contacts	300 – 300 contacts								
204 – 204 contacts	360 – 360 contacts								
252 – 252 contacts	402 – 402 contacts								
Termination Type:									
76 – Solder cup, $\varnothing 0.7 + 0.08/0$									
81 – Straight Board-Mount, $2.77 \times \varnothing 0.46 \pm 0.02$									
82 – Straight Board-Mount, $3.56 \times \varnothing 0.46 \pm 0.02$									
83 – Straight Board-Mount, $4.37 \times \varnothing 0.46 \pm 0.02$									
84 – Right-Angle Board-Mount, $2.77 \times \varnothing 0.46 \pm 0.02$									
85 – Right-Angle Board-Mount, $3.56 \times \varnothing 0.46 \pm 0.02$									
86 – Right-Angle Board-Mount, $4.37 \times \varnothing 0.46 \pm 0.02$									
PC tail plating:									
1 – Gold	2 – Pre-tinned, SnPb alloy (for PCB mount only)								
Hardware type:									
0256 – None									
84 – Fixed jackset, reversed, #2-56 x 8.13 (for Receptacle, straight with mounting ears, only)									
91 – Guide sockets, full round, #2-56 x 6.27									
92 – Hex turning jackset, 0.5									
93 – Fixed jackset, #2-56 x 6.27									
94 – Fixed jackset, #2-56 x 8.13 (for Receptacle, straight with mounting ears, only)									
96 – Guide sockets, polarized, #2-56 x 8.13, set									
up 9501 to 9536 – Guide sockets, polarized, #2-56 x 8.13									
97 – Guide sockets, polarized, #2-56 x 6.27, set									
up 9701 to 9736 – Guide sockets, polarized, #2-56 x 6.27									
98 – Guide sockets, universal, #2-56 x 6.27									
Polarization:									
00 – None									
up 01 to 36 – Connector supplied with polarization keys installed									

Six-Row, Plug, Solder cup, TRTM-632-***-171-***



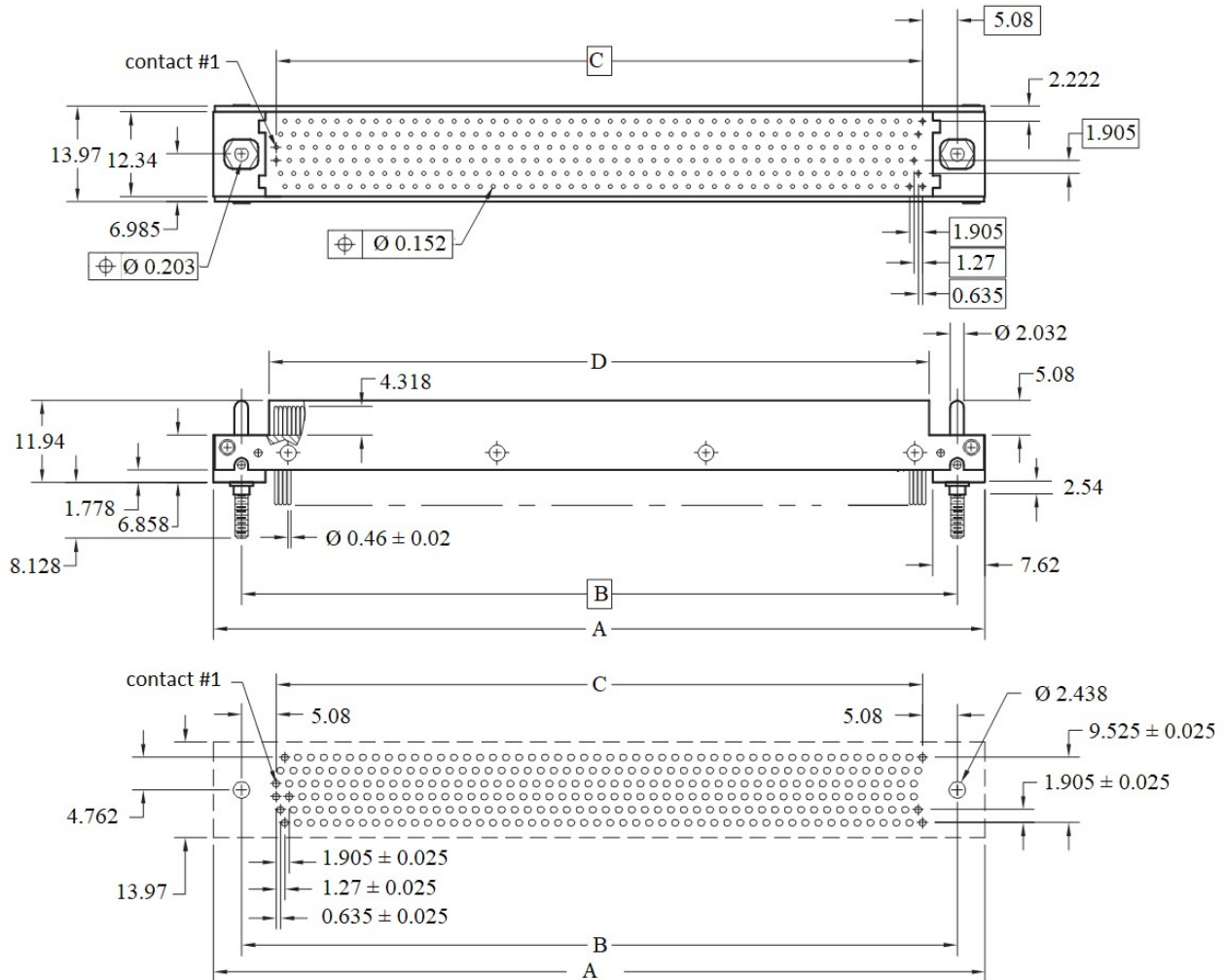
Contact layouts	A	B	C	D
162	69.09	60.96	50.80	52.83
204	82.42	74.30	64.14	66.17
252	97.66	89.54	79.38	81.41
300	112.90	104.78	94.62	96.65
360	131.95	123.83	113.67	115.57
402	145.29	137.16	127.00	129.03

Six-Row, Receptacle, Solder cup, TRTM-642-***-761-***



Contact layouts	A	B	C	D
162	69.09	60.96	50.80	52.83
204	82.42	74.30	64.14	66.17
252	97.66	89.54	79.38	81.41
300	112.90	104.78	94.62	96.65
360	131.95	123.83	113.67	115.57
402	145.29	137.16	127.00	129.03

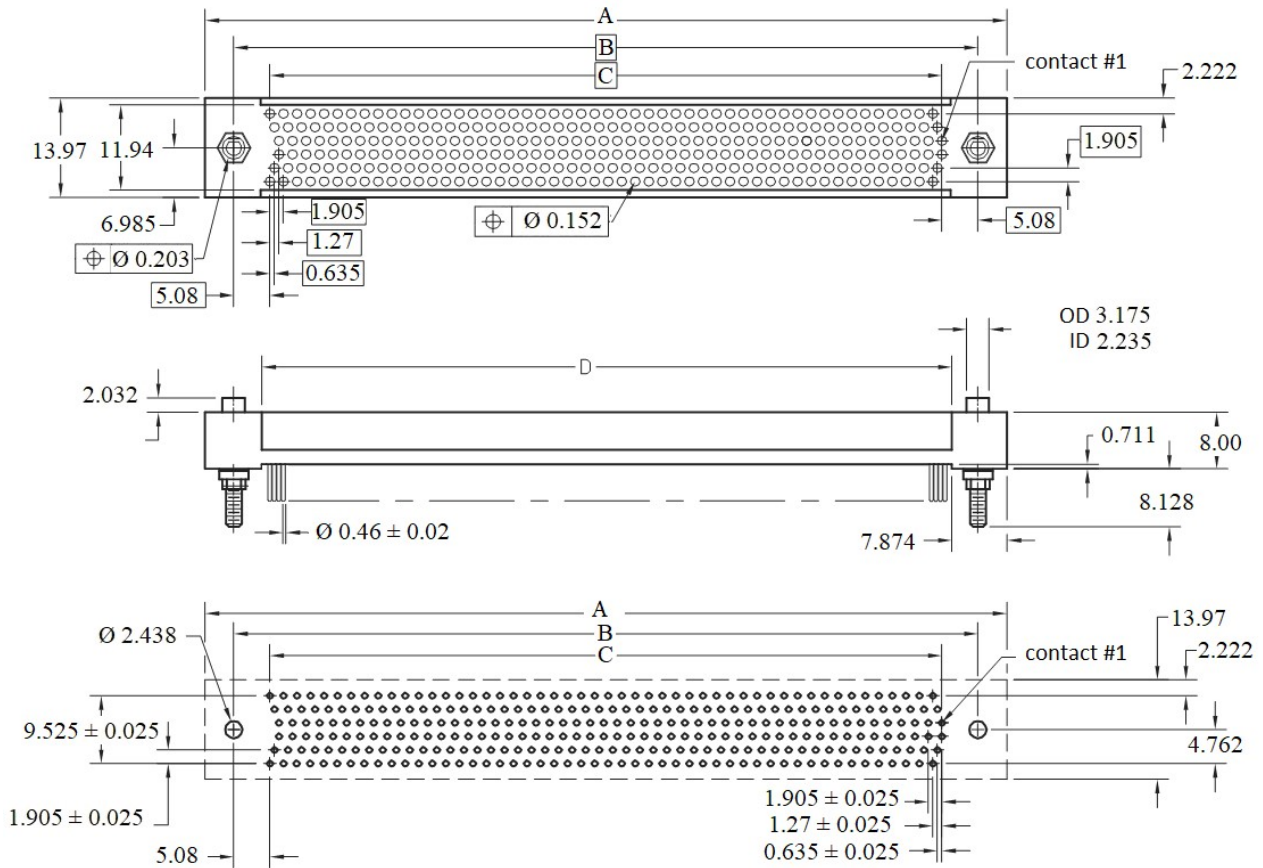
Six-Row, Plug, Straight Board-Mount, TRTM-632-***-511-***



Contact layouts	A	B	C	D
162	69.09	60.96	50.80	52.83
204	82.42	74.30	64.14	66.17
252	97.66	89.54	79.38	81.41
300	112.90	104.78	94.62	96.65
360	131.95	123.83	113.67	115.57
402	145.29	137.16	127.00	129.03

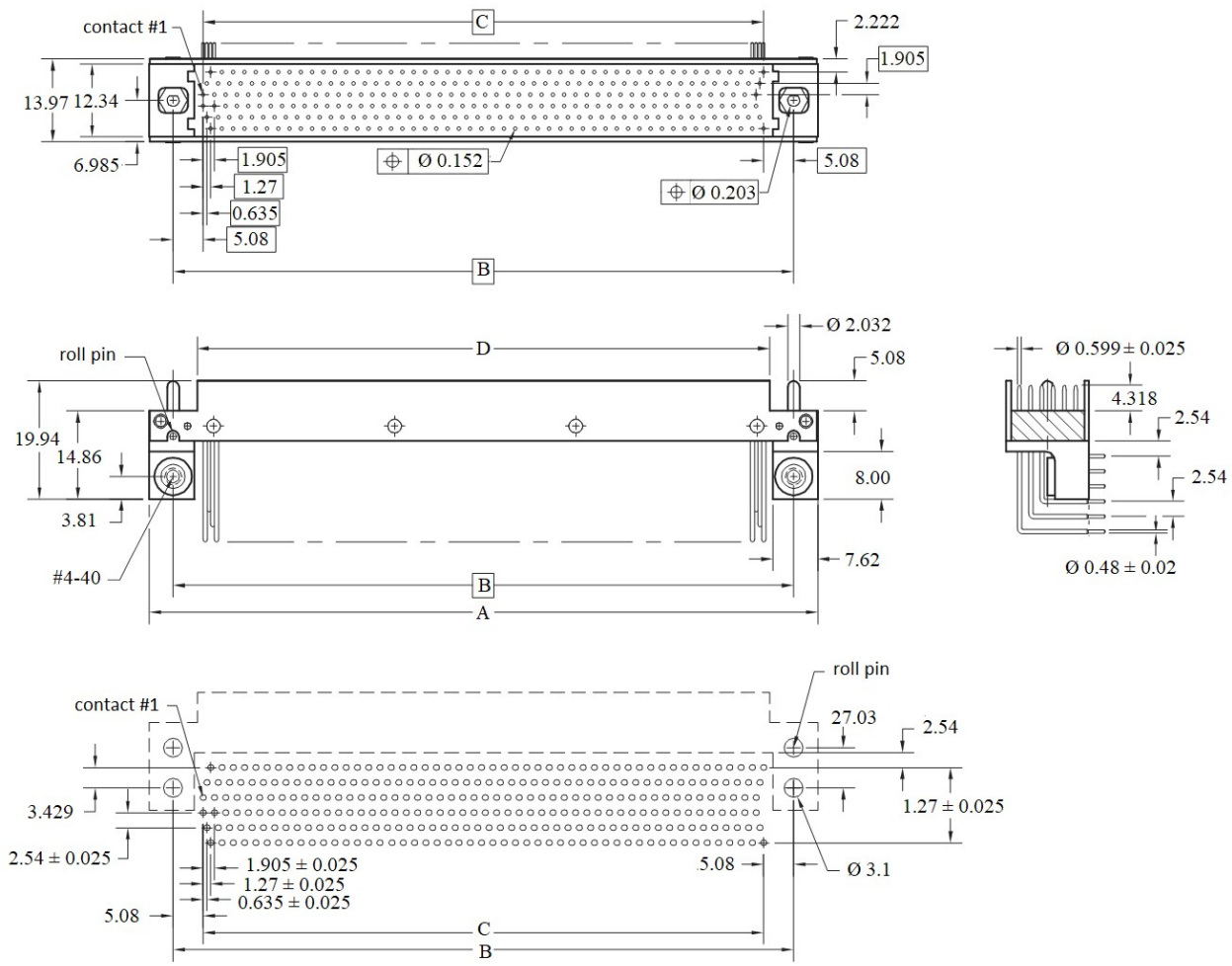


Six-Row, Receptacle, Straight Board-Mount, TRTM-642-***-811-***



Contact layouts	A	B	C	D
162	69.09	60.96	50.80	52.83
204	82.42	74.30	64.14	66.17
252	97.66	89.54	79.38	81.41
300	112.90	104.78	94.62	96.65
360	131.95	123.83	113.67	115.57
402	145.29	137.16	127.00	129.03

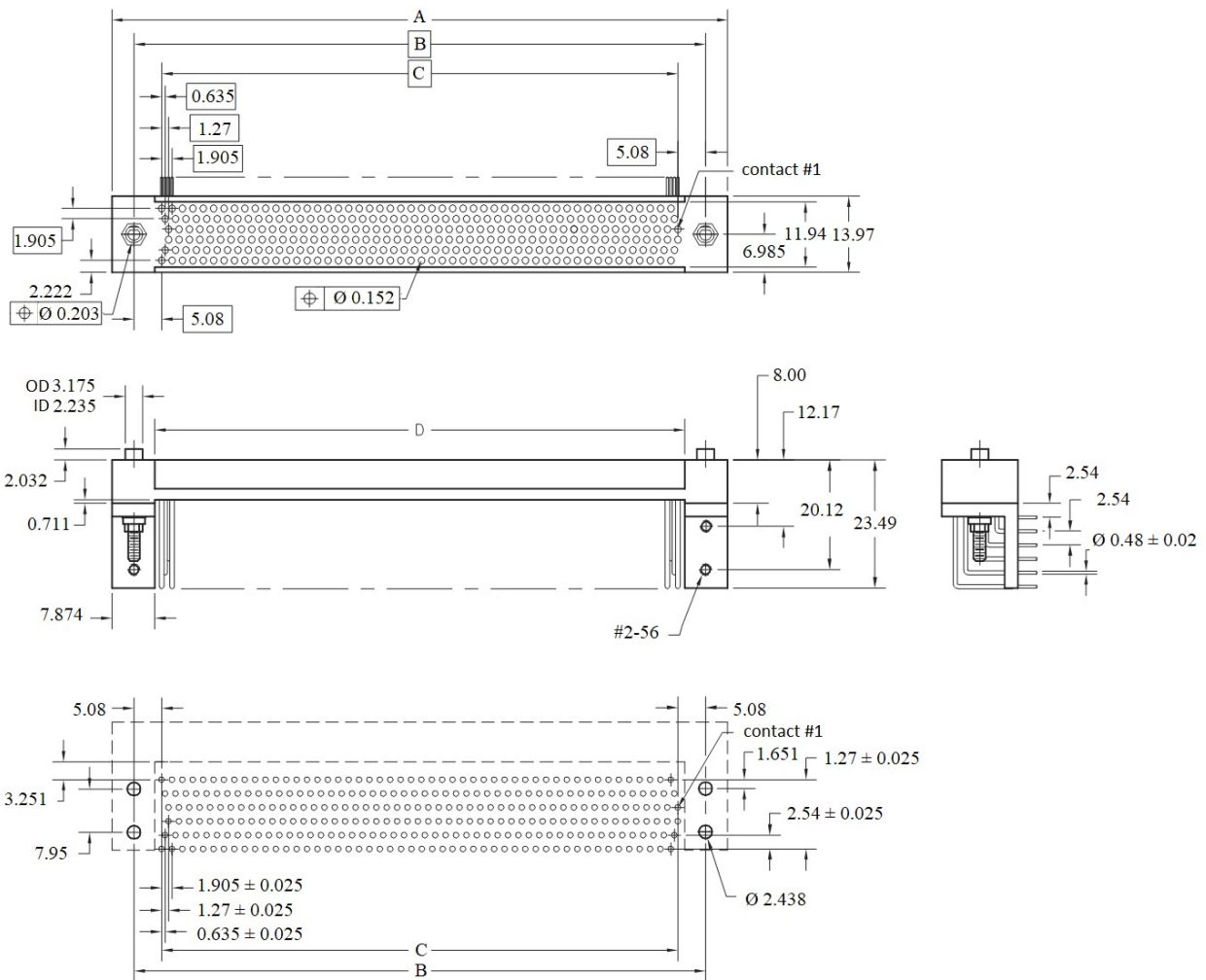
Six-Row, Plug, Right-Angle Board-Mount, TRTM-672-***-311-***



Contact layouts	A	B	C	D
162	69.09	60.96	50.80	52.83
204	82.42	74.30	64.14	66.17
252	97.66	89.54	79.38	81.41
300	112.90	104.78	94.62	96.65
360	131.95	123.83	113.67	115.57
402	145.29	137.16	127.00	129.03



Six-Row, Receptacle, Right-Angle Board-Mount, TRTM-682-***-841-***



Contact layouts	A	B	C	D
162	69.09	60.96	50.80	52.83
204	82.42	74.30	64.14	66.17
252	97.66	89.54	79.38	81.41
300	112.90	104.78	94.62	96.65
360	131.95	123.83	113.67	115.57
402	145.29	137.16	127.00	129.03

Polarization Codes (2-and 3-Row)

01		09		17		25		33		41		49		57	
02		10		18		26		34		42		50		58	
03		11		19		27		35		43		51		59	
04		12		20		28		36		44		52		60	
05		13		21		29		37		45		53		61	
06		14		22		30		38		46		54		62	
07		15		23		31		39		47		55		63	
08		16		24		32		40		48		56		64	

Polarization Codes (4-and 6-Row)

01		07		13		19		25		31	
02		08		14		20		26		32	
03		09		15		21		27		33	
04		10		16		22		28		34	
05		11		17		23		29		35	
06		12		18		24		30		36	

CÔNG TY TNHH RỒNG VÀNG TECHNOLOGY

**Địa chỉ: 48/5 Vĩnh Xuân, Phường Vĩnh thái,
Thành Phố Nha Trang, Tỉnh Khánh Hòa**

SĐT: +84 79.219.2707

www.rong-vang-technology.vn

www.rong-vang-technology.vn