

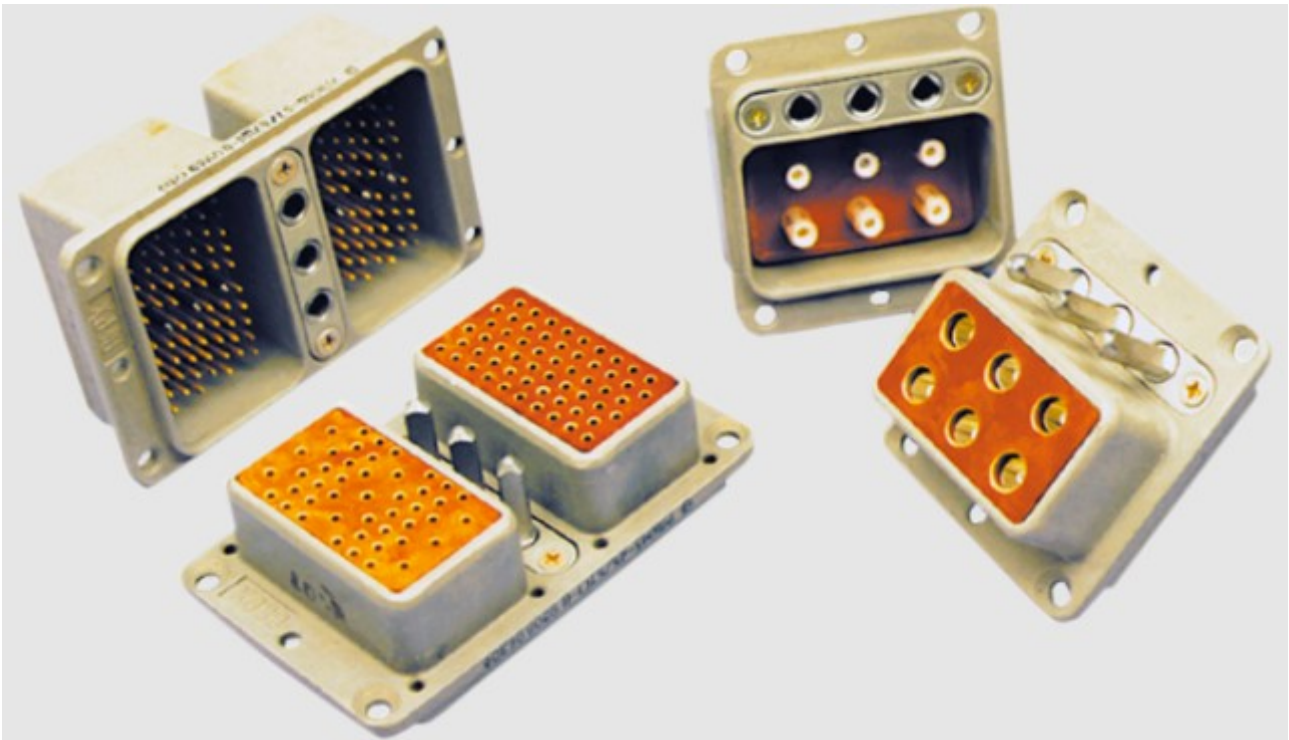


RỒNG VÀNG  
TECHNOLOGY



**Rack & Panel Rectangular  
Electrical Connector  
CFKM1 – CFKM4 Series  
substitutes of Russian  
RPKM 1 – RPKM4  
SNP336, SNP337**

[www.rong-vang-technology.vn](http://www.rong-vang-technology.vn)



## Description

Rack & Panel Rectangular electrical connector CFKM series are low frequency small size connectors designed for work in electric circuits of direct, alternate (frequency up to 3 MHz) and pulse current

These connectors consist of two parts: Rack plug (Pin contacts) and Equipment receptacle (Socket contacts)

Coupling type – plug-in

Rack & Panel Rectangular electrical connector CFKM1-CFKM2 is a single connection and CFKM3-CFKM4 (upper and lower) is a dual connection, which can be used in high and low frequency AC circuits and DC circuits

Contacts:

- signal contacts ( $\varnothing$  1 mm) and power contacts ( $\varnothing$  1,5 mm) - non-removable, for soldering wires
- connectors supplied without RF contacts, RF contacts supplied separately

Contact material:

- CFKM2, CFKM4 – Gold over Copper alloy;
- CFKM1, CFKM3 – Silver over Copper alloy;

Connectors are supplied without backshells, backshells supplied separately

These connectors are manufactured for inner mounting for all climates in accordance with the technical conditions AVO.364.040TU



## Technical features

Description	Values
Shell material/plating	Aluminum/anodizing
Contact material	copper alloy/gold, copper alloy/Silver
Operating temperature	up -60 °C to +100 °C
Vibration	5-2500 HZ; acceleration 150m/s <sup>2</sup>
Impact	acceleration 5000 m/s <sup>2</sup> (once), 1500 m/s <sup>2</sup> (multiple times)
Durability	500 cycles
Technical conditions	AVO.364.040TU

## Electrical

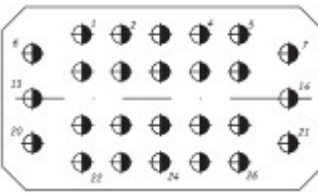
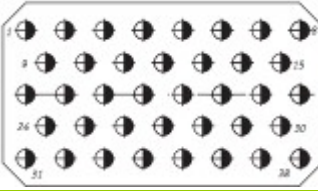
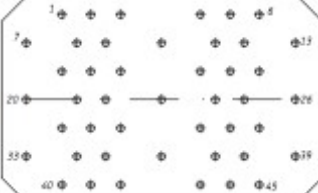
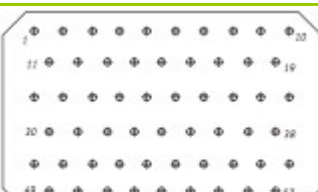
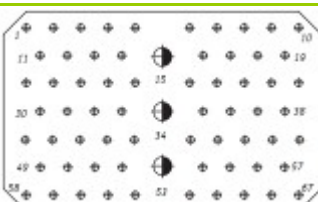
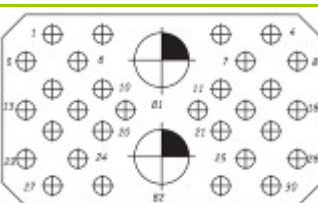
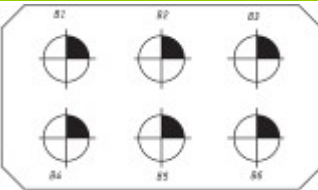
Contact layouts number	For Contact number	Operating Voltage (V)
1	1 – 5, 8 – 12, 15 – 19, 22 – 26	350
1	6, 7, 13, 14, 20, 21	800
2	1 – 38	350
3	1 – 6, 8, 9, 11, 12, 14 – 19, 21, 22, 24, 25, 27 – 32, 34, 35, 37, 38, 40 – 45	400
3	7, 10, 13, 20, 23, 26, 33, 36, 39	1000
4	1 – 57	400
5	1 – 10, 58 – 67	100
5	11 – 57	350
6	1 – 4, 6, 7, 9 – 12, 14 – 17, 19 – 22, 24, 25, 27 – 30	400
6	5, 8, 13, 18, 23, 26	1000
6	B1, B2	100
7	B1 – B6	100

Current rating per contact	
Ø 1.0	Ø 1.5
4 A Max	8 A Max
Contact resistance	
Ø 1.0	Ø 1.5
≤ 5 mΩ	≤ 2.5 mΩ
insulation resistance	
at 100 V	at 1000 V
≤ 1000 MΩ	≥ 5000 MΩ

## Ordering information

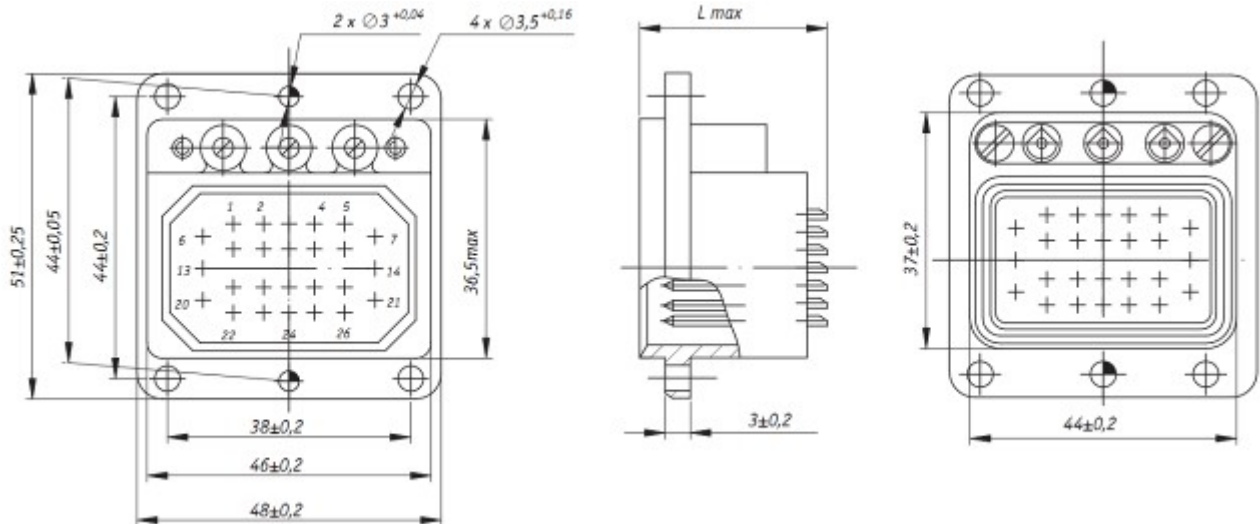
Basic series	CFKM	3	-67	/32	JT
Cavity structure & Contact plating:					
1: Single cavity, Silver plating contacts					
2: Single cavity, Gold plating contacts					
3: Double cavity, Silver plating contacts					
4: Double cavity, Gold plating contacts					
Contact layouts of the upper cavity					
Contact layouts of the bottom cavity, omit for Single cavity					
Connector Types:					
JT: Rack plug with pin contacts only					
KZ: Equipment receptacle with socket contacts only					

## Contact layouts

Contact layouts	Contact layouts number	Contact types	Number of contacts
	1	Ø 1.5	26
	2	Ø 1.5	38
	3	Ø 1.0	45
	4	Ø 1.0	57
	5	Ø 1.0	64
		Ø 1.5	3
	6	Ø 1.0	30
		RF	2
	7	RF	6

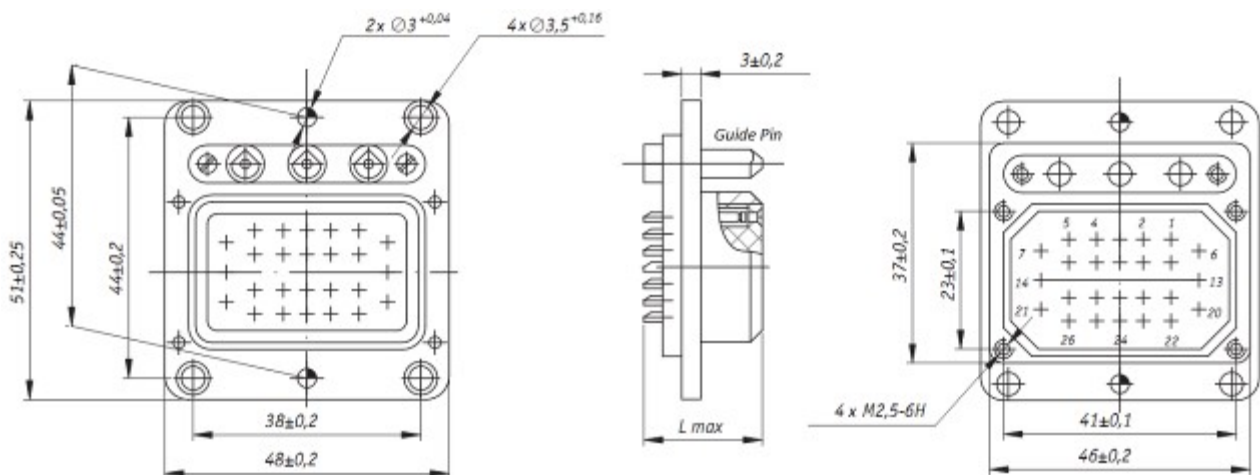
# Dimensions

## Rack plug, Single cavity



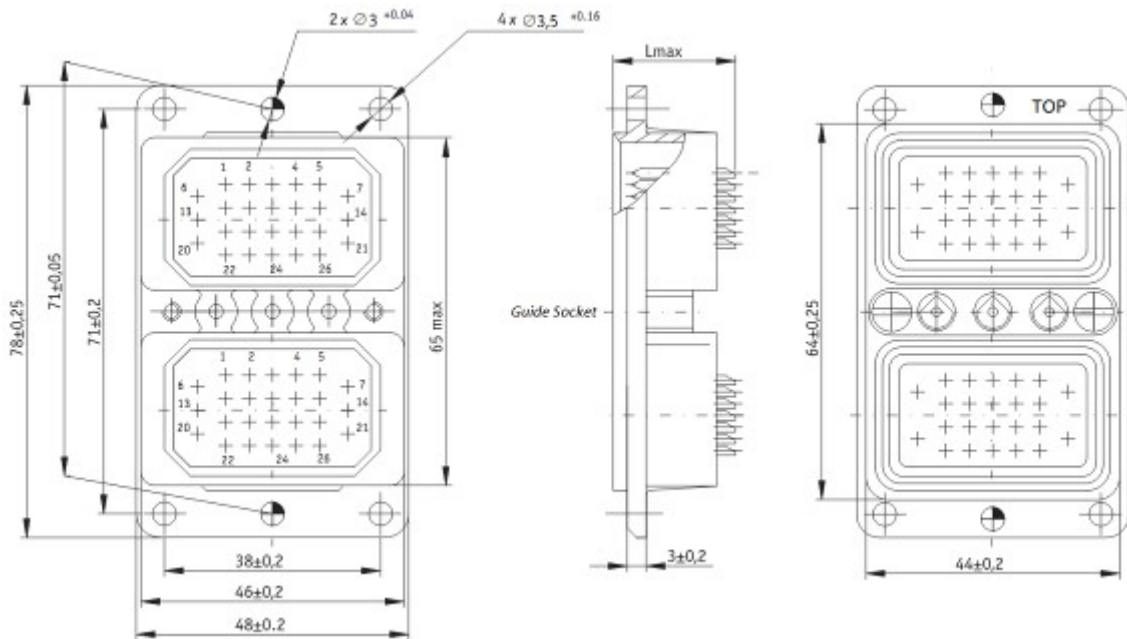
Contact layouts number	L, Max
1, 2, 3, 4, 5	28
6, 7	38

## Equipment receptacle, Single cavity



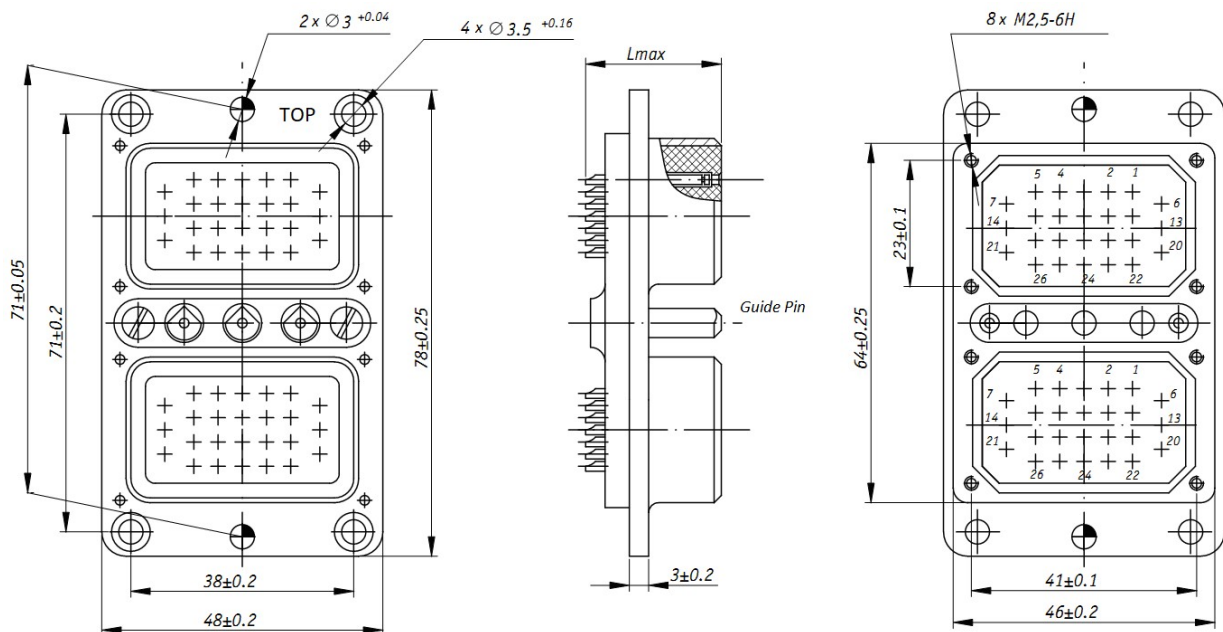
Contact layouts number	L, Max
1, 2, 3, 4, 5	25
6, 7	35

### Rack plug, Double cavity



Contact layouts number	L, Max
1, 2, 3, 4, 5	28
6, 7	38

### Equipment receptacle, Double cavity



Contact layouts number	L, Max
1, 2, 3, 4, 5	25
6, 7	35

## Backshells. Ordering information

Description	Part numbers	L (mm)
Backshell 1 type	CFKM-WF01	86
Backshell 1 type	CFKM-WF02	146
Backshell 2 type	CFKM-WF03	86
Backshell 2 type	CFKM-WF04	146
Backshell 3 type	CFKM-WF05	86
Backshell 3 type	CFKM-WF06	146
Backshell 4 type	CFKM-WF07	86
Backshell 4 type	CFKM-WF08	146
Backshell 5 type	CFKM-WF09	86
Backshell 5 type	CFKM-WF10	146

Need to consult



**CÔNG TY TNHH RỒNG VÀNG TECHNOLOGY**

**Địa chỉ: 48/5 Vĩnh Xuân, Phường Vĩnh thái,  
Thành Phố Nha Trang, Tỉnh Khánh Hòa**

**SĐT: +84 79.219.2707**

**[www.rong-vang-technology.vn](http://www.rong-vang-technology.vn)**

**[www.rong-vang-technology.vn](http://www.rong-vang-technology.vn)**