



RỒNG VÀNG
TECHNOLOGY



Rectangular Backshells

www.rong-vang-technology.vn



Contents

Features	3
D Sub EMI Backshells (MIL-DTL-24308)	7
Micro D EMI Backshells (MIL-DTL-83513)	11
Backshell for Rack Plug ARINC 600 Series	21
Termination Accessories	23

Product Finder

Series Code	Model	Description
Series DSB01		D SUB EMI backshells with circular entry
Series DSB11		D SUB EMI backshells with elliptical entry
Series MDB01		micro D EMI backshells with circular entry
Series MDB02		micro-D EMI banding backshell with circular entry
Series MDB011		micro-D EMI backshells with elliptical entry
Series MDB012		micro-D EMI banding backshell with elliptical entry
Series MDB021		micro-D EMI backshells with oval entry
Series AR3		Backshell for Rack Plug ARINC 600 Series shell size 3 with shrink boot adapters
Series AR1		Backshell for Rack Plug ARINC 600 Series shell size 1 with cable clamps



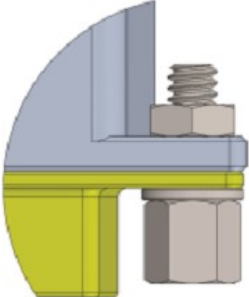

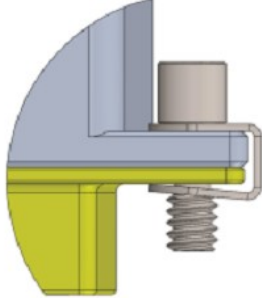

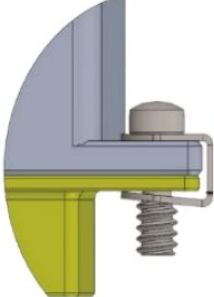





Cross Reference List

Series	GLENAIR	TE/POLAMCO
Series DSB01	557T246	D25-1-BT
Series DSB11	–	D25-1-BT
Series MDB01	500-010	RBTMM
Series MDB02	500-011	–
Series MDB011	507-047	–
Series MDB012	–	BTMMTB
Series MDB021	–	–
Series AR3	527-108	ARC600-3
Series AR1	527-056	–

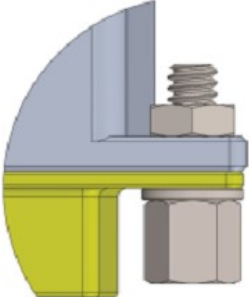

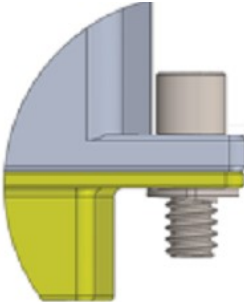

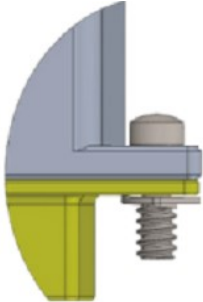





Material & Finish Code

Code	Material & Finish	Process	Salt Spray Hours
A	aluminum/black anodized	conductive up -65 to +175°C	336
AH	aluminum/hard anodized	non-conductive up -65 to +200°C	336
N	aluminum/electroless nickel	conductive up -65 to +200°C	96
W	aluminum/olive drab cadmium	conductive up -65 to +175°C	500
WS	aluminum/olive drab cadmium	conductive up -65 to +175°C	1000
Z	aluminum/black zinc nickel	conductive up -65 to +175°C	500
VB	aluminum/black zinc cobalt	conductive up -65 to +175°C	350
VO	aluminum/olive drab zinc cobalt	conductive up -65 to +175°C	350
NU	nickel aluminium bronze/unplated	conductive up -65 to +200°C	1000
NS	nickel aluminium bronze/shot blasted	conductive up -65 to +200°C	1000
S	stainless steel/passivation	conductive up -65 to +200°C	1000
Y	aluminum/gold yellow cadmium	conductive up -65 to +175°C	1000
WC	aluminum/clear cadmium	conductive up -65 to +175°C	1000
L	stainless steel/electroless nickel	conductive up -65 to +200°C	500

Hardware Options for D Sub Backshells

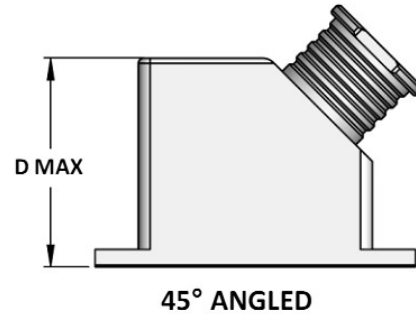
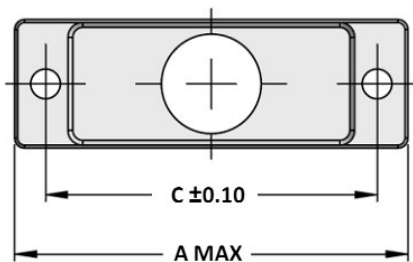
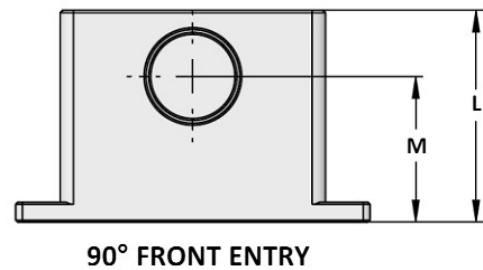
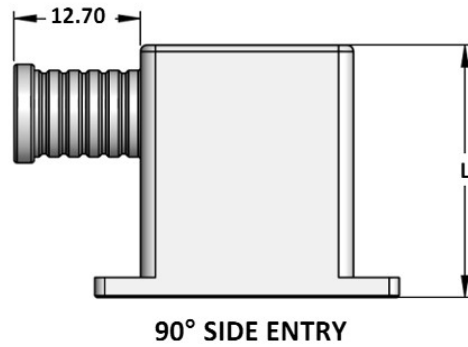
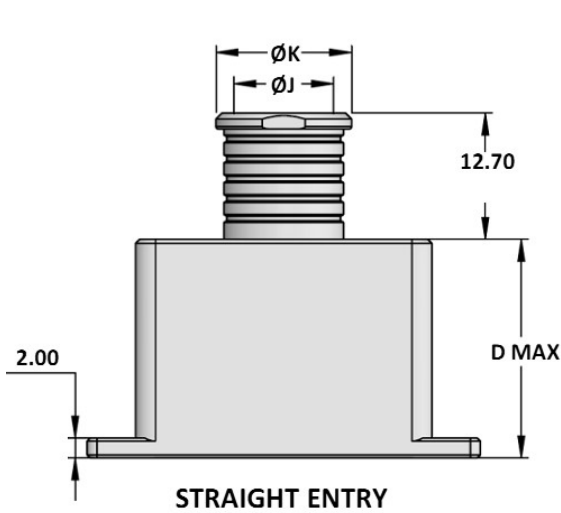
Code	Description	Assembled View	Kit Elements
J	jackpost		<p>jack post – 2 pcs washers – 2 pcs 4-40 UNC nut – 2 pcs</p> 
H	hexagonal socket headed – low profile		<p>screws – 2 pcs U clips – 2 pcs</p> 
S	slot headed jackscrew – low profile		<p>screws – 2 pcs U clips – 2 pcs</p> 
EX	hexagonal socket headed – extended		<p>screws – 2 pcs U clips – 2 pcs</p> 
E	slot headed jackscrew – extended		<p>screws – 2 pcs U clips – 2 pcs</p> 

Hardware Options for micro D Sub Backshells

Code	Description	Assembled View	Kit Elements
J	jackpost		<p>jack post – 2 pcs washers – 2 pcs 4-40 UNC nut – 2 pcs</p> 
H	hexagonal socket headed – low profile		<p>screws – 2 pcs E-retaining rings – 2 pcs</p> 
S	slot headed jackscrew – low profile		<p>screws – 2 pcs E-retaining rings – 2 pcs</p> 
EX	hexagonal socket headed – extended		<p>screws – 2 pcs E-retaining rings – 2 pcs</p> 
E	slot headed jackscrew – extended		<p>screws – 2 pcs E-retaining rings – 2 pcs</p> 

Series DSB01

D SUB EMI backshells with circular entry (MIL-DTL-24308)



Ordering information

Basic Series	ALDSB01	A	09	A	N	S	T
Entry Option:							
A – straight entry							
B – 90° side entry							
C – 90° front entry							
D – 45° angled							
Shell Size							
Cable Entry Code							
Material & Finish Code							
Hardware Option							
Banding Option:							
T – termination band							
Omit – for none							

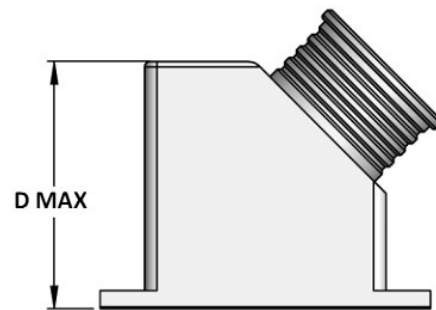
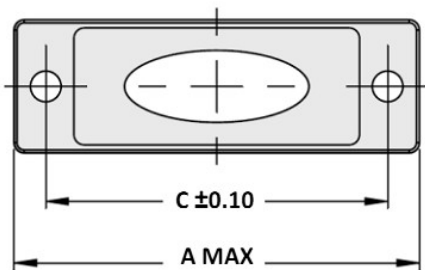
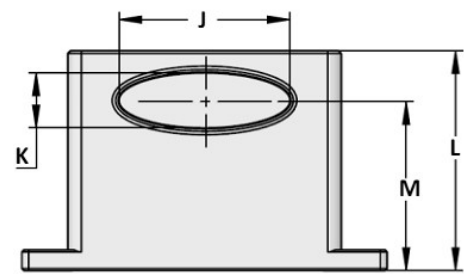
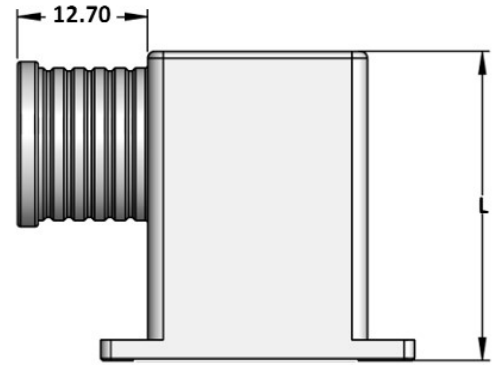
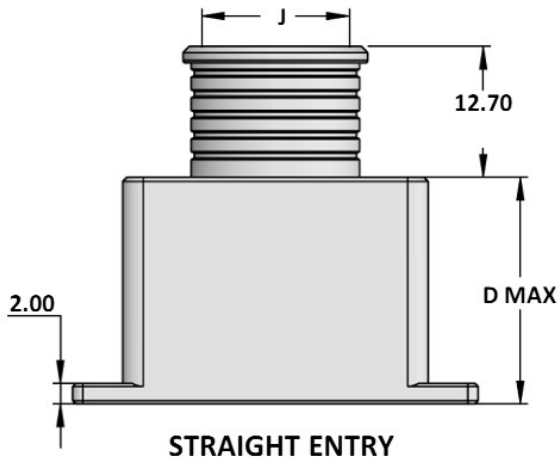
Dimensions

Shell Size	A MAX	B MAX	C ± 0.10	D MAX	L	M
9	31.20	13.30	25.00	38.10	42.70	31.80
15	39.50	13.30	33.30	38.10	42.70	31.80
25	53.45	13.30	47.00	38.10	42.70	31.80
37	69.80	13.30	63.50	38.10	42.70	31.80
50	67.30	16.80	61.12	38.10	42.70	35.10
104	69.70	18.50	63.50	38.10	42.70	37.30

Cable Entry Code	Ø J	Ø K
A	3.18	5.20
B	4.74	6.78
C	6.85	8.89
D	7.36	9.39
E	7.92	9.95
F	10.00	12.06
G	10.66	12.70
H	12.70	14.73
J	13.43	15.46

Series DSB11

D SUB EMI backshells with elliptical entry (MIL-DTL-24308)



Ordering information

Basic Series	ALDSB11	A	09	A	N	S	T
Entry Option:							
A – straight entry							
B – 90° side entry							
C – 90° front entry							
D – 45° angled							
Shell Size							
Cable Entry Code							
Material & Finish Code							
Hardware Option							
Banding Option:							
T – termination band							
Omit – for none							

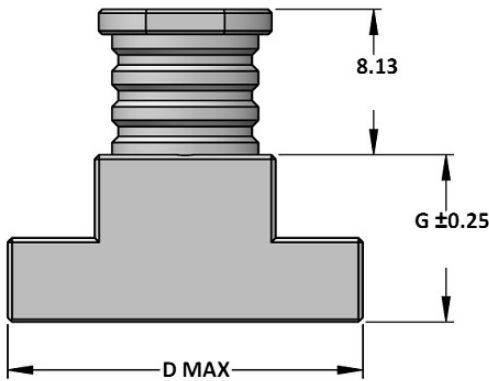
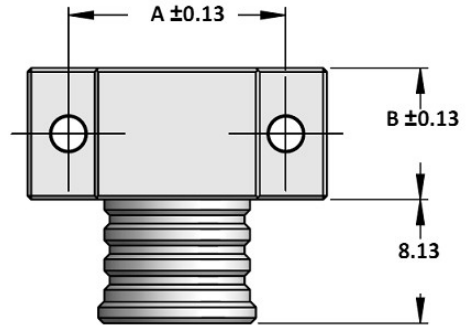
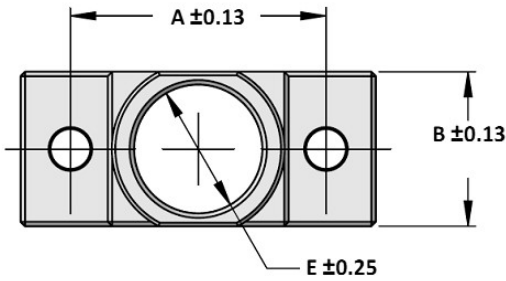
Dimensions

Shell Size	A MAX	B MAX	C ± 0.10	D MAX	L	M
9	31.20	13.30	25.00	38.10	42.70	31.80
15	39.50	13.30	33.30	38.10	42.70	31.80
25	53.45	13.30	47.00	38.10	42.70	31.80
37	69.80	13.30	63.50	38.10	42.70	31.80
50	67.30	16.80	61.12	38.10	42.70	35.10
104	69.70	18.50	63.50	38.10	42.70	37.30

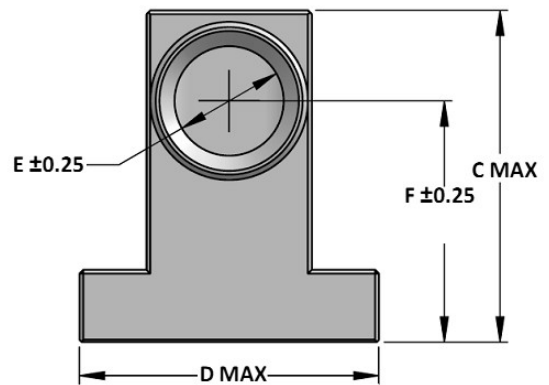
Cable Entry Code	Ø J	Ø K
A	13.00	9.50
B	16.50	9.50
C	20.50	9.50
D	24.70	9.50
E	29.40	9.50
F	34.60	9.50
G	40.20	9.50
H	46.20	9.50
J	52.70	9.50
K	50.00	12.00
L	49.20	13.90
M	54.90	13.90

Series MDB01

Micro D SUB EMI backshells with circular entry (MIL-DTL-83513)



STRAIGHT ENTRY



90° ENTRY

Ordering information

Basic Series	ALMDB01	A	09	A	N	S	T
Entry Option:							
A – straight entry							
B – 90° side entry							
Shell Size							
Cable Entry Code							
Material & Finish Code							
Hardware Option							
Banding Option:							
T – termination band							
Omit – for none							



Dimensions

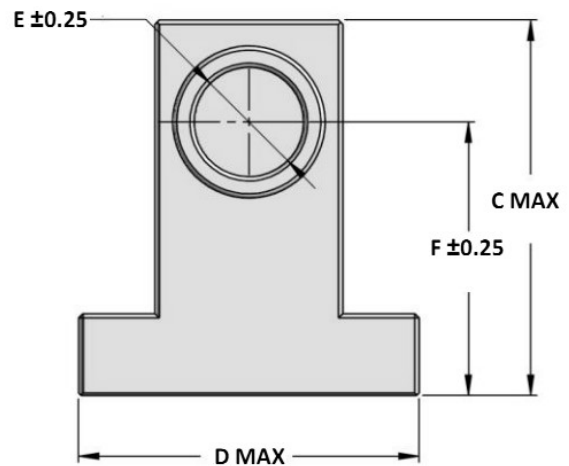
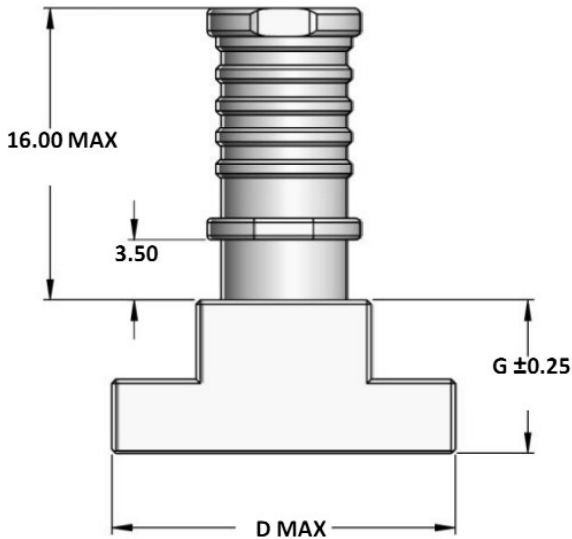
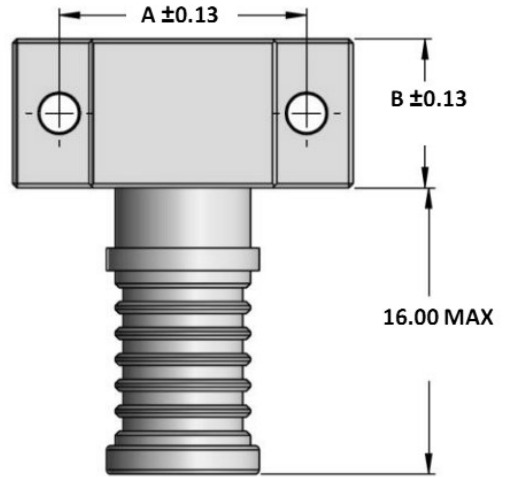
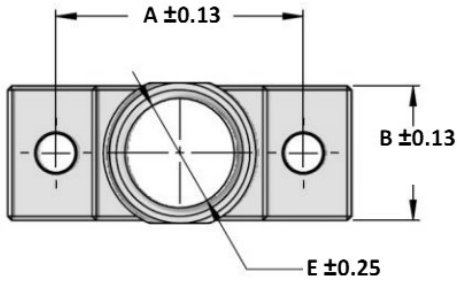
Shell Size	A ± 0.13	B ± 0.13	C MAX	D MAX	F ± 0.25	G ± 0.25
9	14.35	8.64	21.97	19.94	15.88	11.04
15	18.16	8.64	21.97	23.75	15.88	12.49
21	21.97	8.64	21.97	27.56	15.88	13.76
25	24.51	8.64	21.97	30.10	15.88	15.03
31	28.32	8.64	21.97	33.91	15.88	16.05
37	32.13	8.64	21.97	37.72	15.88	17.07
51	30.86	10.16	21.97	36.45	15.88	19.19
69	34.48	10.16	23.50	44.07	16.38	19.86
100	45.72	11.43	24.39	55.25	16.69	20.75

Cable Entry Code	Ø E ± 0.25	for Shell Sizes
A	3.20	09 – 100
B	4.80	09 – 100
C	6.40	09 – 100
D	7.21	09 – 100
E	8.74	51 – 100
F	9.75	100



Series MDB02

Micro D SUB EMI backshells with circular entry (MIL-DTL-83513)



STRAIGHT ENTRY

90° ENTRY

Ordering information

Basic Series	AL	MDB02	A	09	A	N	S	T
Entry Option:								
A – straight entry								
B – 90° side entry								
Shell Size								
Cable Entry Code								
Material & Finish Code								
Hardware Option								
Banding Option:								
T – termination band								
Omit – for none								



Dimensions

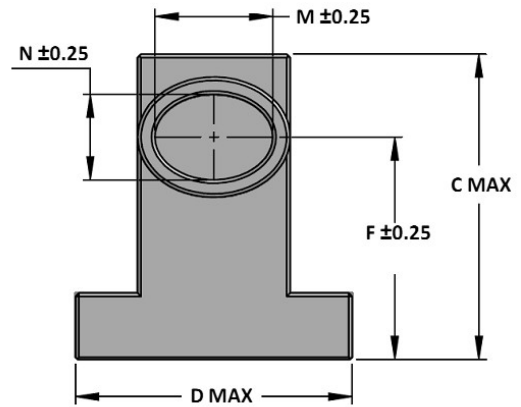
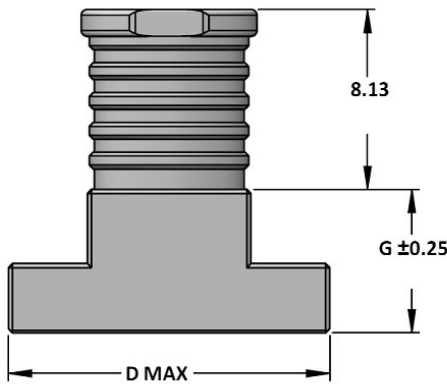
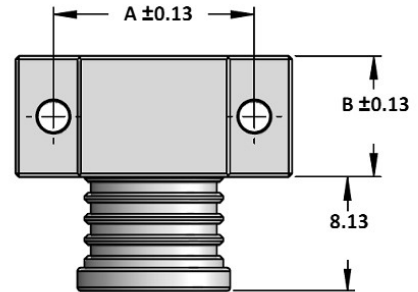
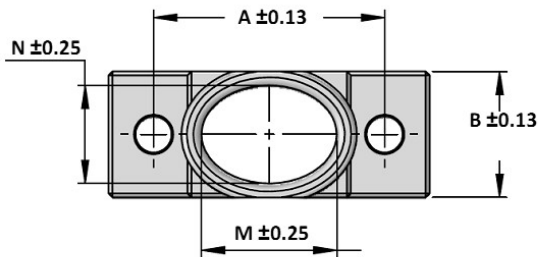
Shell Size	A ± 0.13	B ± 0.13	C MAX	D MAX	F ± 0.25	G ± 0.25
9	14.35	8.64	21.97	19.94	15.88	11.04
15	18.16	8.64	21.97	23.75	15.88	12.49
21	21.97	8.64	21.97	27.56	15.88	13.76
25	24.51	8.64	21.97	30.10	15.88	15.03
31	28.32	8.64	21.97	33.91	15.88	16.05
37	32.13	8.64	21.97	37.72	15.88	17.07
51	30.86	10.16	21.97	36.45	15.88	19.19
69	34.48	10.16	23.50	44.07	16.38	19.86
100	45.72	11.43	24.39	55.25	16.69	20.75

Cable Entry Code	Ø E ± 0.25	for Shell Sizes
A	3.20	09 – 100
B	4.80	09 – 100
C	6.40	09 – 100
D	7.21	09 – 100
E	8.74	51 – 100
F	9.75	100



Series MDB11

Micro D SUB EMI backshells with elliptical entry (MIL-DTL-83513)



STRAIGHT ENTRY

90° ENTRY

Ordering information

Basic Series	AL	MDB11	A	09	A	N	S	T
Entry Option:								
A – straight entry								
B – 90° side entry								
Shell Size								
Cable Entry Code								
Material & Finish Code								
Hardware Option								
Banding Option:								
T – termination band								
Omit – for none								



Dimensions

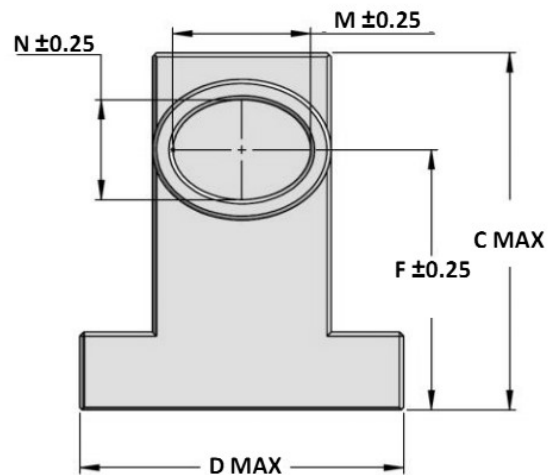
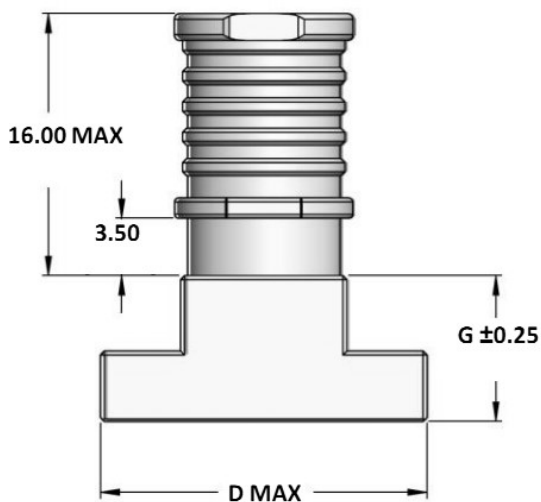
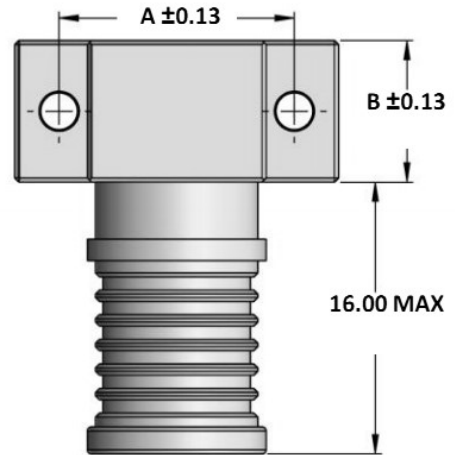
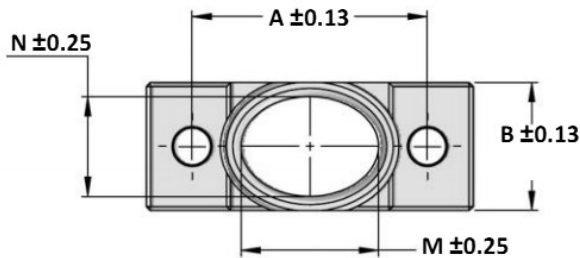
Shell Size	A ± 0.13	B ± 0.13	C MAX	D MAX	F ± 0.25	G ± 0.25
9	14.35	8.64	21.97	19.94	15.88	11.04
15	18.16	8.64	21.97	23.75	15.88	12.49
21	21.97	8.64	21.97	27.56	15.88	13.76
25	24.51	8.64	21.97	30.10	15.88	15.03
31	28.32	8.64	21.97	33.91	15.88	16.05
37	32.13	8.64	21.97	37.72	15.88	17.07
51	30.86	10.16	21.97	36.45	15.88	19.19
69	34.48	10.16	23.50	44.07	16.38	19.86
100	45.72	11.43	24.39	55.25	16.69	20.75

Cable Entry Code	M ±0.25	N ±0.25	for Shell Sizes
A	7.21	8.74	09 – 100
B	7.21	12.55	15 – 100
C	7.21	16.36	21 – 100
D	7.21	18.90	25 – 100
E	7.21	22.71	31 – 100
F	7.21	25.25	37 – 100
G	7.21	26.42	37, 69 – 100
H	8.13	37.75	69 – 100
K	9.75	38.61	100



Series MDB12

Micro D SUB EMI backshells with elliptical entry (MIL-DTL-83513)



STRAIGHT ENTRY

90° ENTRY

Ordering information

Basic Series	AL	M	D	B	1	2	A	0	9	A	N	S	T
Entry Option:													
A – straight entry													
B – 90° side entry													
Shell Size													
Cable Entry Code													
Material & Finish Code													
Hardware Option													
Banding Option:													
T – termination band													
Omit – for none													



Dimensions

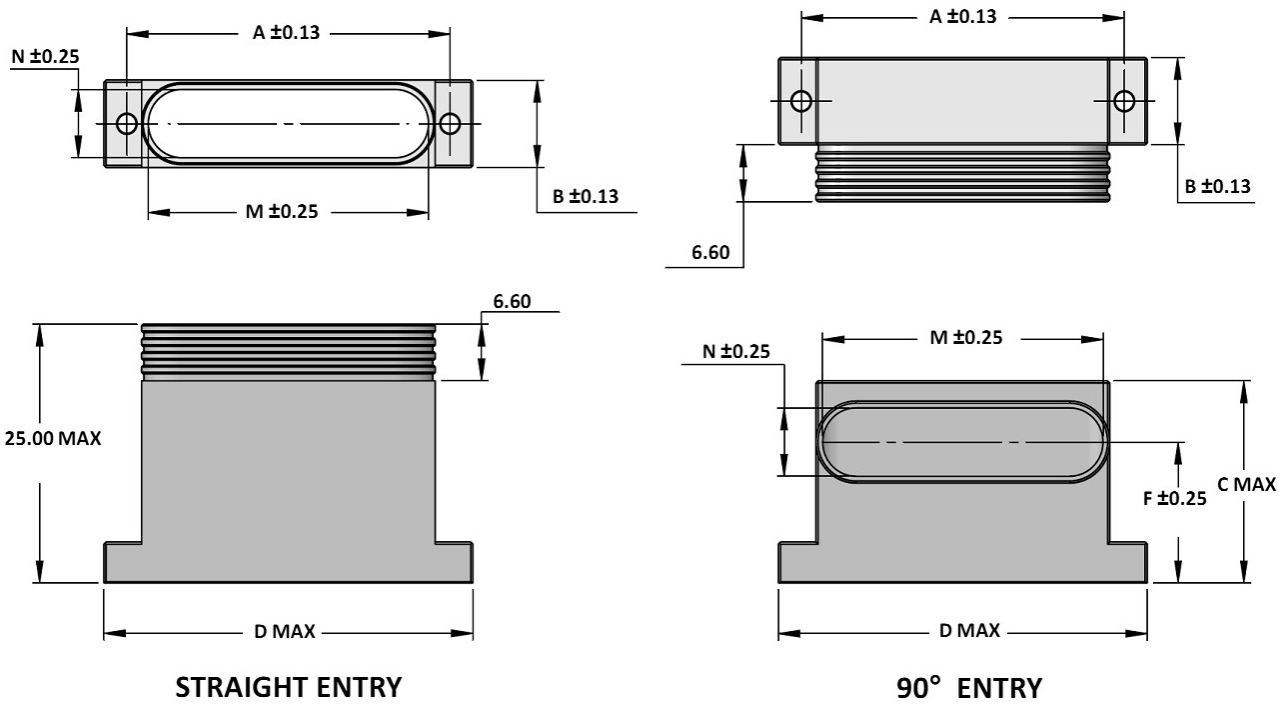
Shell Size	A ± 0.13	B ± 0.13	C MAX	D MAX	F ± 0.25	G ± 0.25
9	14.35	8.64	21.97	19.94	15.88	11.04
15	18.16	8.64	21.97	23.75	15.88	12.49
21	21.97	8.64	21.97	27.56	15.88	13.76
25	24.51	8.64	21.97	30.10	15.88	15.03
31	28.32	8.64	21.97	33.91	15.88	16.05
37	32.13	8.64	21.97	37.72	15.88	17.07
51	30.86	10.16	21.97	36.45	15.88	19.19
69	34.48	10.16	23.50	44.07	16.38	19.86
100	45.72	11.43	24.39	55.25	16.69	20.75

Cable Entry Code	M ±0.25	N ±0.25	for Shell Sizes
A	7.21	8.74	09 – 100
B	7.21	12.55	15 – 100
C	7.21	16.36	21 – 100
D	7.21	18.90	25 – 100
E	7.21	22.71	31 – 100
F	7.21	25.25	37 – 100
G	7.21	26.42	37, 69 – 100
H	8.13	37.75	69 – 100
K	9.75	38.61	100



Series MDB21

Micro D SUB EMI backshells with oval entry (MIL-DTL-83513)



Ordering information

Basic Series	AL	MDB21	A	09	A	N	S	T
Entry Option:								
A – straight entry								
B – 90° side entry								
Shell Size								
Cable Entry Code								
Material & Finish Code								
Hardware Option								
Banding Option:								
T – termination band								
Omit – for none								

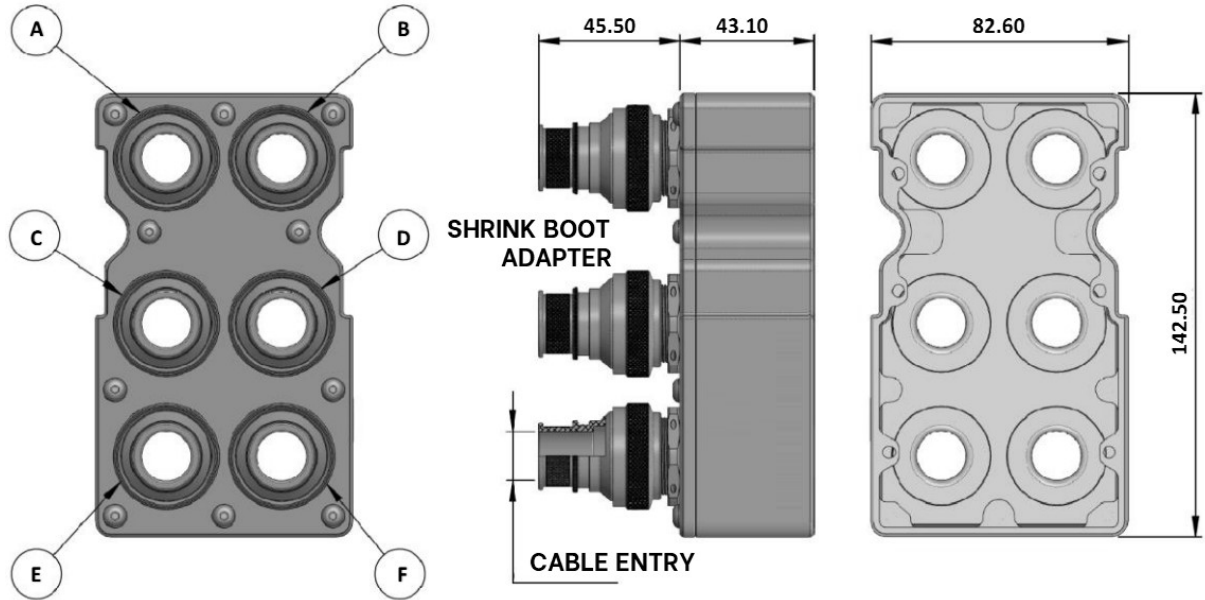
Dimensions

Shell Size	A ± 0.13	B ± 0.13	C MAX	D MAX	F ± 0.25
9	14.35	8.64	21.97	19.94	15.88
15	18.16	8.64	21.97	23.75	15.88
21	21.97	8.64	21.97	27.56	15.88
25	24.51	8.64	21.97	30.10	15.88
31	28.32	8.64	21.97	33.91	15.88
37	32.13	8.64	21.97	37.72	15.88
51	30.86	10.16	21.97	36.45	15.88
69	34.48	10.16	23.50	44.07	16.38
100	45.72	11.43	24.39	55.25	16.69

Cable Entry Code	M ±0.25	N ±0.25	for Shell Sizes
A	7.00	9.55	09 – 100
B	7.00	13.35	15 – 100
C	7.00	17.15	21 – 100
D	7.00	19.70	25 – 100
E	7.00	23.50	31 – 100
F	7.00	27.31	37 – 100
G	7.00	36.20	51, 69 – 100
H	8.13	26.05	51, 69 – 100
K	8.13	33.65	69 – 100
L	9.25	37.60	100

Series AR3

Backshell for Rack Plug ARINC 600 Series shell size 3 with shrink boot adapters



Ordering information

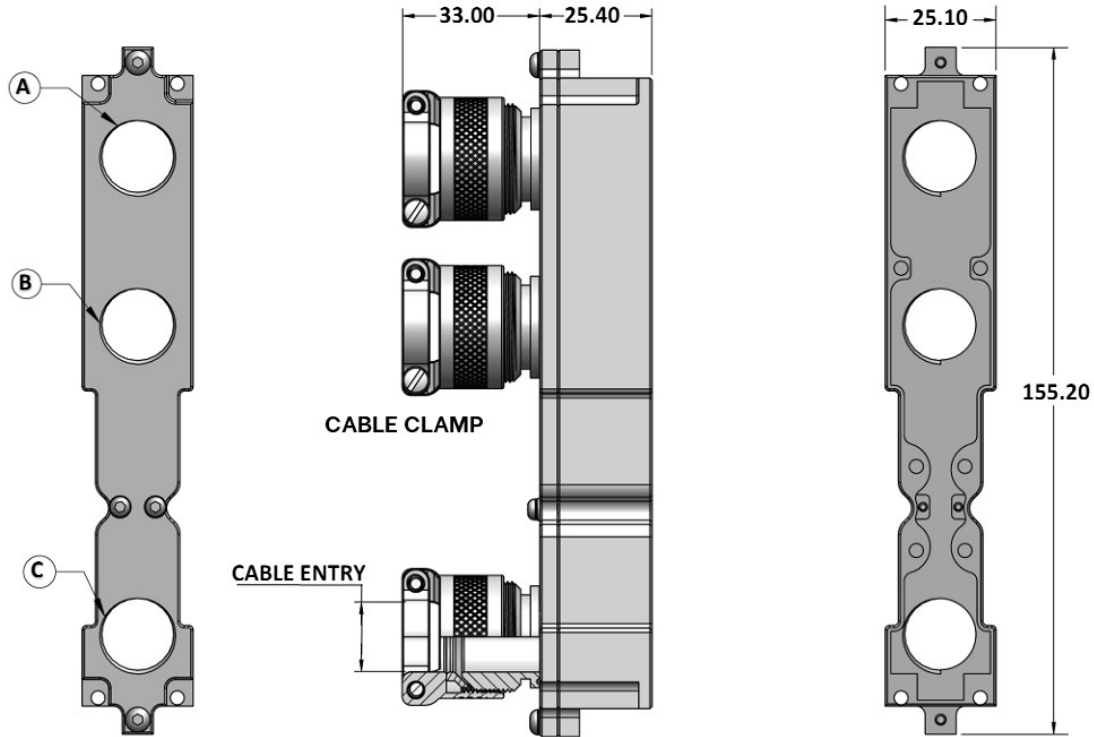
Basic Series	ALAR3	-U	-A08	-B08	-C08	-D08	-E08	-F08	-T
Material & Finish Code: U – aluminium/unplated (see table)									
Position A, Cable Entry Code									
Position B, Cable Entry Code									
Position C, Cable Entry Code									
Position D, Cable Entry Code									
Position E, Cable Entry Code									
Position F, Cable Entry Code									
Banding Option: S – CF spring T – termination band Omit – for none									

Dimensions

Cable Entry Code	Cable Entry DIA
08	12.70
10	16.00
12	19.10
14	22.40
16	25.40
18	28.70

Series AR1

Backshell for Rack Plug ARINC 600 Series shell size 1 with cable clamps



Ordering information

Basic Series	ALAR1	-U	-A08	-B08	-C08
Material & Finish Code: U – aluminium/unplated (see table)					
Position A, Cable Entry Code 00 – cable clamp not supplied					
Position B, Cable Entry Code 00 – cable clamp not supplied					
Position C, Cable Entry Code 00 – cable clamp not supplied					

Dimensions

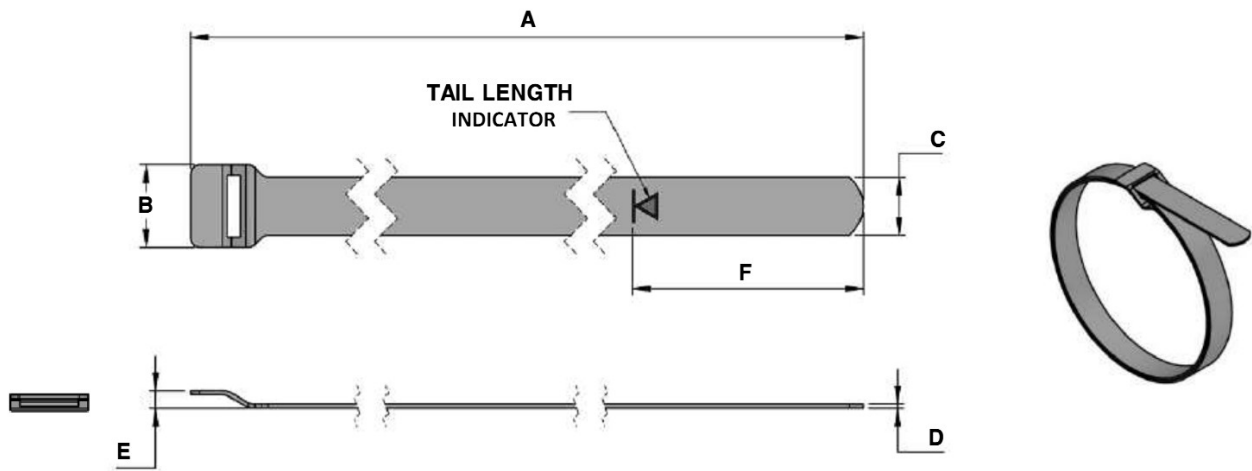
Cable Entry Code	Cable Entry DIA
00	cable clamp not supplied
01	1.60 – 3.20
02	3.20 – 6.40
03	6.40 – 9.50
04	9.50 – 12.70
05	12.70 – 15.90



Series AL128

Termination Bands. M85049/128

Stamped Buckle



Ordering information

Basic Series	AL128	LB	-03	-01
Band Type:				
LB – standard				
MB – mini				
Buckle Style:				
03, 07, 09 – stamped				
Supplied Type:				
01 – coiled				
Omit – flat				

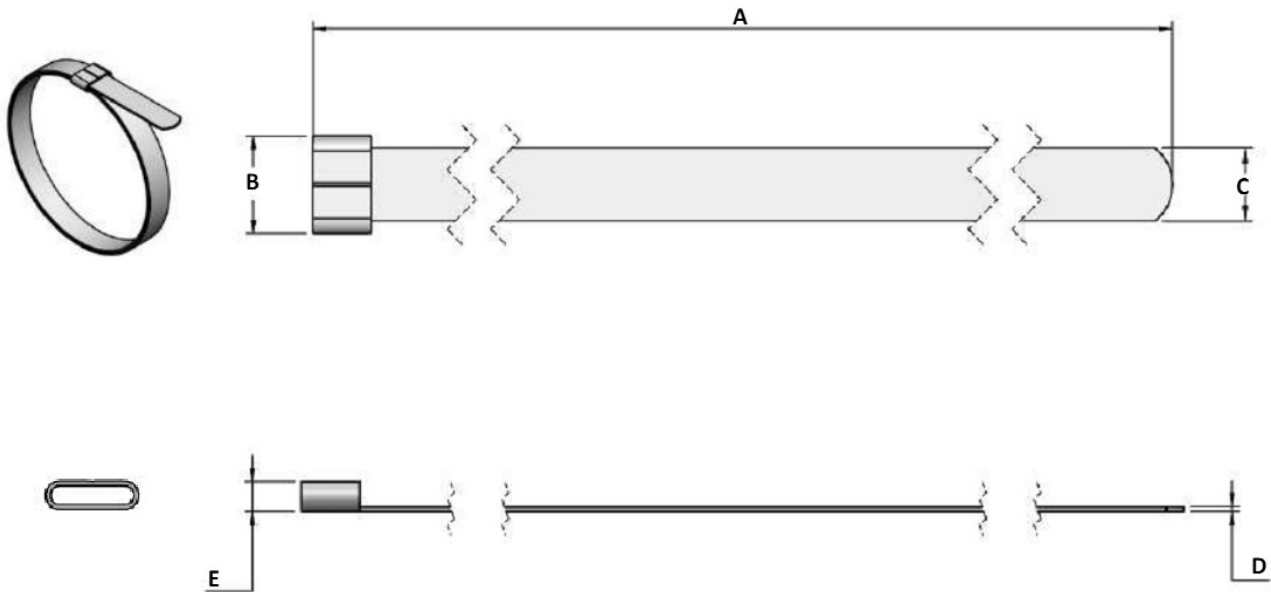
Dimensions

Part Number	A ± 1.52	B ± 0.79	C ± 0.26	D	E
AL128LB-03	361.95	8.89	6.35	0.51	3.30
AL128LB-03-01	361.95	8.89	6.35	0.51	3.30
AL128MB-07	206.38	4.95	3.05	0.38	1.35
AL128MB-07-01	206.38	4.95	3.05	0.38	1.35
AL128MB-09	361.95	4.95	3.05	0.38	1.35
AL128MB-09-01	361.95	4.95	3.05	0.38	1.35

Series AL128

Termination Bands. M85049/128

Welded Buckle



Ordering information

Basic Series	AL128	LB	-05	-01
Band Type:				
LB – standard				
MB – mini				
Buckle Style:				
01, 05 – welded				
Supplied Type:				
01 – coiled				
Omit – flat				

Dimensions

Part Number	A ± 1.52	B ± 0.79	C ± 0.26	D	E
AL128LB-01	355.60	8.33	6.22	0.50	2.54
AL128LB-01-01	355.60	8.33	6.22	0.50	2.54
AL128MB-05	241.30	5.03	2.99	0.40	2.03
AL128MB-05-01	241.30	5.03	2.99	0.40	2.03
AL128LB-01	355.60	8.33	6.22	0.50	2.54
AL128LB-01-01	355.60	8.33	6.22	0.50	2.54

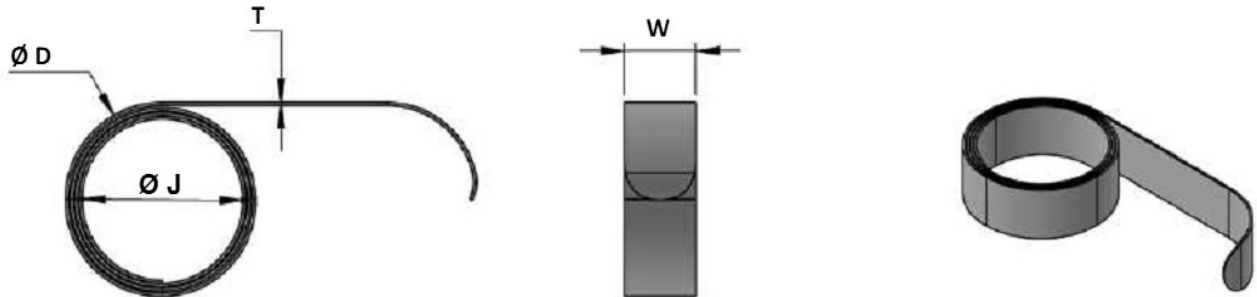


Cross Reference List

AL128 series	M85049/128	GLENAIR
AL128LB-03	-3	600-052
AL128LB-03-01	-4	600-052-1
AL128MB-07	-7	600-057
AL128MB-07-01	-8	600-057-1
AL128MB-09	-	600-083
AL128MB-09-01	-	600-083-1
AL128LB-01	-1	-
AL128LB-01-01	-2	-
AL128MB-05	-5	-
AL128MB-05-01	-6	-

Series ALSWB

Spring Band



Part number	Ø J	Ø D (+0/-1.0)	T (± 0.01)	W (+0.05/-0.13)	Spring length (±5)	Turns
ALSWB-050	7.10	8.50	0.11	9.53	107.90	4.25
ALSWB-100	8.20	9.10	0.11	9.53	119.00	4.25
ALSWB-200	12.70	14.40	0.18	9.53	127.00	3.00
ALSWB-300	18.46	19.51	0.26	9.53	232.00	4.25
ALSWB-400	25.91	26.86	0.31	9.53	217.50	3.50

Backshell Entry Code	Ø J	Part Number Spring Band
03	4.70	ALSWB-050
04	6.30	ALSWB-050
05	7.90	ALSWB-100
06	9.50	ALSWB-100
07	11.10	ALSWB-100
08	12.70	ALSWB-200
09	14.20	ALSWB-200
10	15.80	ALSWB-200
11	17.40	ALSWB-200
12	19.00	ALSWB-300
13	20.60	ALSWB-300
14	22.20	ALSWB-300
15	23.80	ALSWB-300
16	25.40	ALSWB-300
17	27.00	ALSWB-400
18	28.60	ALSWB-400
19	30.20	ALSWB-400
20	31.80	ALSWB-400
21	33.30	ALSWB-400
22	35.00	ALSWB-400
23	36.50	ALSWB-400
24	38.10	ALSWB-400

CÔNG TY TNHH RỒNG VÀNG TECHNOLOGY

**Địa chỉ: 48/5 Vĩnh Xuân, Phường Vĩnh thái,
Thành Phố Nha Trang, Tỉnh Khánh Hòa**

SĐT: +84 79.219.2707

www.rong-vang-technology.vn

www.rong-vang-technology.vn