



RỒNG VÀNG
TECHNOLOGY



J30J SERIES TWISTED PIN RECTANGULAR ELECTRICAL CONNECTORS MICRO D

www.rong-vang-technology.vn



J30J series twisted pin micro rectangular electrical connectors

Product Introduction

Conforms to MIL-C-83513
Male pin is twist pin
High-density contact, spacing 1.27 mm
Metal shield shell, equivalent to MDM series
There are 10 specifications including 9 ~ 100 contacts

Application

The product has the advantages of high density, lightweight and miniaturization, which can realize the reliable interconnection of the electrical circuit system from cable to cable, cable to printed board, and between printed board and printed board

The product can withstand strong vibration, shock and other harsh operating environment, especially suitable for the use in space; equipment lightweight has special requirements for the use of the occasion

Specifications

Temperature rating: $-55^{\circ}\text{C} \sim +125^{\circ}\text{C}$

Contact rating: 3 A

Contact resistance: $\leq 10 \text{ m}\Omega$

Insulation resistance:

- Normal temperature: $\geq 5000 \text{ M}\Omega$;
- Damp heat temperature: $\geq 100 \text{ M}\Omega$;

Dielectric withstanding voltage: 800 V

Vibration: Frequency 10 ~ 2000 Hz acceleration 196 m/s^2

Shock: acceleration 735 m/s^2

Acceleration: 735 m/s^2

Endurance: 500 cycles

Recommended torque force for locking screws: 0.15 ~ 0.2 Nm is recommended for sizes 9 ~ 100

Salt spray: 96 h

Sealed Versions:

J30JM (glue sealing type):

- insulation resistance: $\geq 2000 \text{ M}\Omega$
- Air leakage: $5.0 \times 10^{-2} \text{ Pa cm}^3/\text{s}$

J30JM1 (sintered glass sealing):

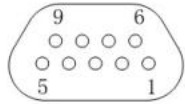
- insulation resistance: $\geq 1000 \text{ M}\Omega$
- Air leakage: $3.1 \times 10^{-3} \text{ Pa cm}^3/\text{s}$

J30J series twisted pin micro rectangular electrical connectors

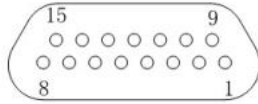


Contact arrangement

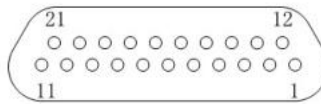
(viewed from the insertion surface of the pin insulator)



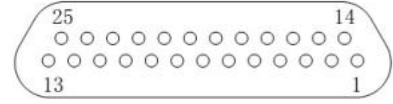
9



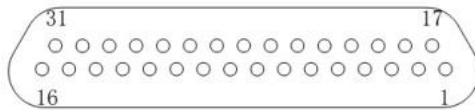
15



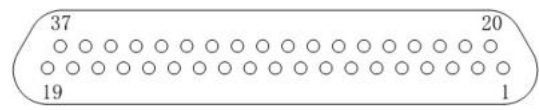
21



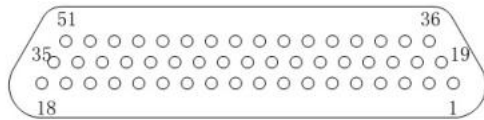
25



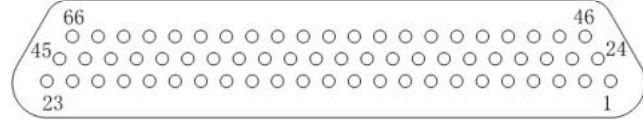
31



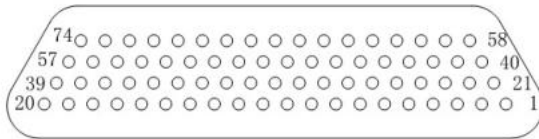
37



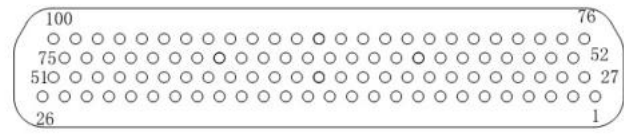
51



66



74

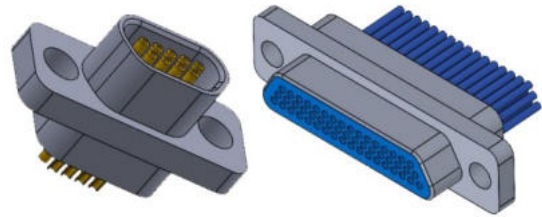


100



J30J series twisted pin micro rectangular electrical connectors

Solder Cup and Pre-Wired Connectors



Ordering information

Basic series	J30J	-	25	TJ		G	A
Shell Type:							
Omit = standard version (aluminum/nickel)							
A = quick locking type							
C = shell material is tin phosphor bronze and nickel plating							
D = mounting hole is changed to M2-6H							
M = glue sealing Receptacle, A rubber gasket, 1 mm, is provided							
M1 = sintered glass sealing Receptacle, A rubber gasket, 1 mm, is provided							
Contact layouts: 9, 15, 21, 25, 31, 37, 51, 66, 74, 100							
Connector type:							
ZK = receptacle with sockets							
TJ = plug with pins							
Termination Type:							
Omit = Pre-Wired version							
S = Solder cup version							
Hardware Options:							
Omit = No Hardware							
Hardware Type P							
Hardware Type L							
Hardware Type K							
Hardware Type V							
(See J30J Hardware components)							
Shell Material/Finish:							
Omit = Aluminum/Nickel							
G = Aluminum/Cadmium							
Modification Option:							
Omit = standard version							
A = Housing with Integrated Backshell Top Entry, with Cable Clamp							
C = Housing with Entry Side							
D = Connector body flange has grooves that prevent rotation and sliding							
AD = Combination of Modification A and Modification D							
Q = Connector with Wide Flange, A rubber gasket, 1 mm, is provided							
AQ = Combination of Modification A and Modification Q, A rubber gasket, 1 mm, is provided							

Wire color and length index:

If customers prefer any color and length of wires, please specify the color and length

For example:

J30J-25TJ (L600) = means that the wire in white insulation has a length of 600 mm, wire cross-section 0.12 mm²

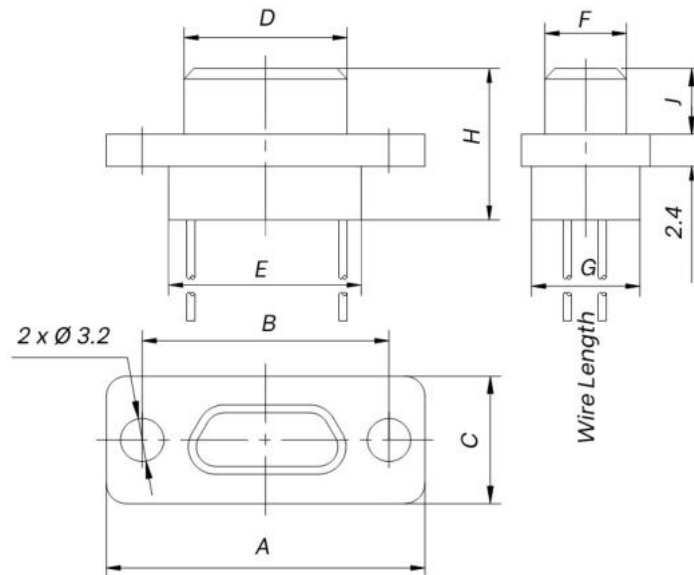
J30J-37ZK (blue, 0.15 mm², L400) = means that the wire in blue insulation has a length of 400 mm, wire cross-section 0.15 mm²

J30J series twisted pin micro rectangular electrical connectors



Dimensions

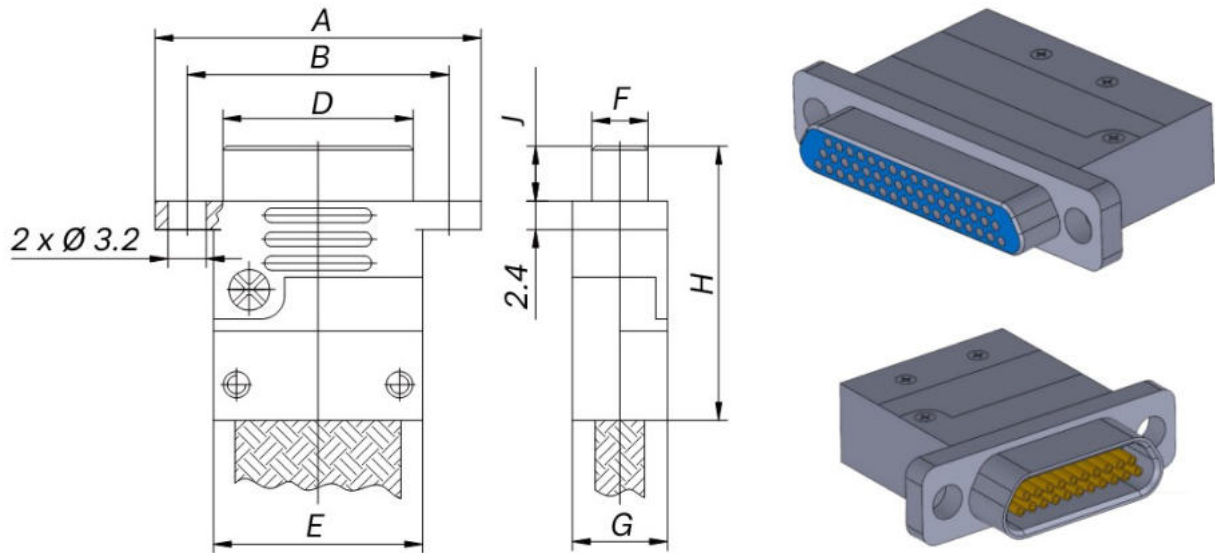
Pre-Wired Connectors



Connector type	A	B	C	D	E	F	G	H	J
J30J-9TJ	19.6	14.3	7.6	8.3	9.9	4.7	6.8	10.5	4.6
J30J-15TJ	23.5	18.2	7.6	12.3	13.8	4.7	6.8	10.5	4.6
J30J-21TJ	27.4	22	7.6	16	17.6	4.7	6.8	10.5	4.6
J30J-25TJ	29.8	24.5	7.6	18.6	20.2	4.7	6.8	10.5	4.6
J30J-31TJ	33.6	28.3	7.6	22.4	24	4.7	6.8	10.5	4.6
J30J-37TJ	37.4	32.2	7.6	26.3	27.8	4.7	6.8	10.5	4.6
J30J-51TJ	36.4	30.86	8.7	25	26.6	5.8	7.9	10.5	4.6
J30J-66TJ	42.9	37.3	8.7	31.4	33	5.8	7.9	10.5	4.6
J30J-74TJ	38.8	33.5	9.7	27.5	29.1	6.8	9.1	10.5	4.6
J30J-100TJ	54.7	45.7	9.7	35.1	36.6	6.8	9.1	10.5	4.6
J30J-9ZK	19.6	14.3	7.6	9.8	9.9	6.1	6.8	10.9	4.9
J30J-15ZK	23.5	18.2	7.6	13.7	13.8	6.1	6.8	10.9	4.9
J30J-21ZK	27.4	22	7.6	17.4	17.6	6.1	6.8	10.9	4.9
J30J-25ZK	29.8	24.5	7.6	20	20.2	6.1	6.8	10.9	4.9
J30J-31ZK	33.6	28.3	7.6	23.8	24	6.1	6.8	10.9	4.9
J30J-37ZK	37.4	32.2	7.6	27.7	27.8	6.1	6.8	10.9	4.9
J30J-51ZK	36.4	30.86	8.7	26.5	26.6	7.2	7.9	10.9	4.9
J30J-66ZK	42.9	37.3	8.7	32.9	33	7.2	7.9	10.9	4.9
J30J-74ZK	38.8	33.5	9.7	29	29.1	8.3	9.1	10.9	4.9
J30J-100ZK	54.7	45.7	9.7	36.6	36.6	8.3	9.1	10.9	4.9

Dimensions

Pre-Wired Connectors



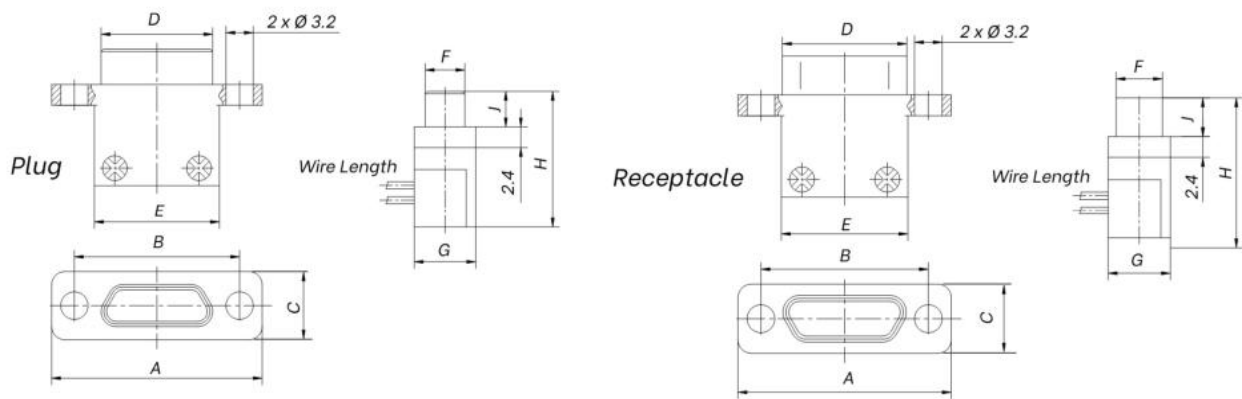
Connector type	A	B	C	D	E	F	G	H	J
J30J-9TJ-A	19.6	14.3	7.6	8.3	9.9	4.7	6.8	23	4.6
J30J-15TJ-A	23.5	18.2	7.6	12.3	13.8	4.7	6.8	23	4.6
J30J-21TJ-A	27.4	22	7.6	16	17.6	4.7	6.8	23	4.6
J30J-25TJ-A	29.8	24.5	7.6	18.6	20.2	4.7	6.8	23	4.6
J30J-31TJ-A	33.6	28.3	7.6	22.4	24	4.7	6.8	23	4.6
J30J-37TJ-A	37.4	32.2	7.6	26.3	27.8	4.7	6.8	23	4.6
J30J-51TJ-A	36.4	30.86	8.7	25	26.6	5.8	7.9	23	4.6
J30J-66TJ-A	42.9	37.3	8.7	31.4	33	5.8	7.9	23	4.6
J30J-74TJ-A	38.8	33.5	9.7	27.5	29.1	6.8	9.1	23.5	4.6
J30J-100TJ-A	54.7	45.7	9.7	35.1	36.6	6.8	9.1	23.5	4.6
J30J-9ZK-A	19.6	14.3	7.6	9.8	9.9	6.1	6.8	23.5	4.9
J30J-15ZK-A	23.5	18.2	7.6	13.7	13.8	6.1	6.8	23.5	4.9
J30J-21ZK-A	27.4	22	7.6	17.4	17.6	6.1	6.8	23.5	4.9
J30J-25ZK-A	29.8	24.5	7.6	20	20.2	6.1	6.8	23.5	4.9
J30J-31ZK-A	33.6	28.3	7.6	23.8	24	6.1	6.8	23.5	4.9
J30J-37ZK-A	37.4	32.2	7.6	27.7	27.8	6.1	6.8	23.5	4.9
J30J-51ZK-A	36.4	30.86	8.7	26.5	26.6	7.2	7.9	23.5	4.9
J30J-66ZK-A	42.9	37.3	8.7	32.9	33	7.2	7.9	23.5	4.9
J30J-74ZK-A	38.8	33.5	9.7	29	29.1	8.3	9.1	25.5	4.9
J30J-100ZK-A	54.7	45.7	9.7	36.6	36.6	8.3	9.1	25.5	4.9

J30J series twisted pin micro rectangular electrical connectors



Dimensions

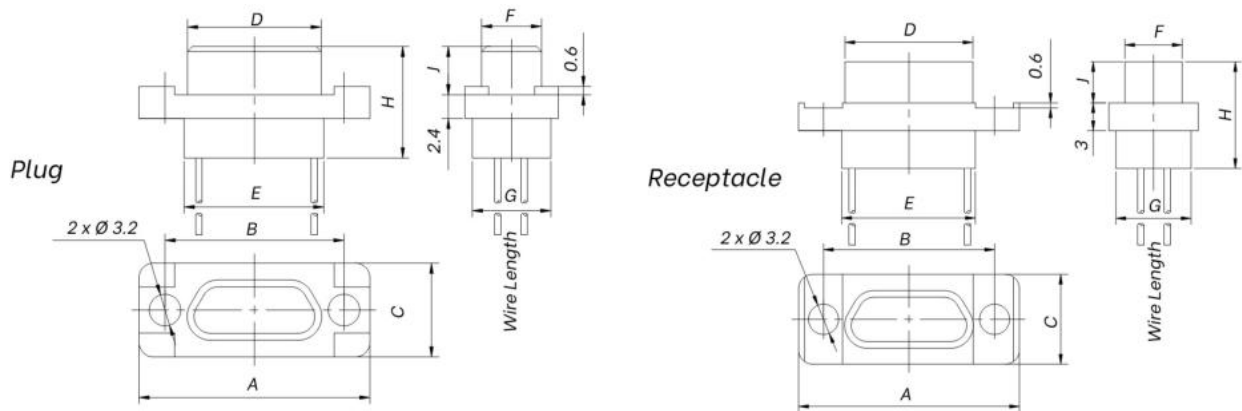
Pre-Wired Connectors



Connector type	A	B	C	D	E	F	G	H	J
J30J-9TJ-C	19.6	14.3	7.6	8.3	9.9	4.7	8	16.5	4.6
J30J-15TJ-C	23.5	18.2	7.6	12.3	13.8	4.7	8	16.5	4.6
J30J-21TJ-C	27.4	22	7.6	16	17.6	4.7	8	16.5	4.6
J30J-25TJ-C	29.8	24.5	7.6	18.6	20.2	4.7	8	16.5	4.6
J30J-31TJ-C	33.6	28.3	7.6	22.4	24	4.7	8	16.5	4.6
J30J-37TJ-C	37.4	32.2	7.6	26.3	27.8	4.7	8	16.5	4.6
J30J-51TJ-C	36.4	30.86	8.7	25	26.6	5.8	9.1	15.5	4.6
J30J-66TJ-C	42.9	37.3	8.7	31.4	33	5.8	9.1	17.8	4.6
J30J-74TJ-C	38.8	33.5	9.7	27.5	29.1	6.8	10.1	19	4.6
J30J-100TJ-C	54.7	45.7	9.7	35.1	36.6	6.8	10.1	19	4.6
J30J-9ZK-C	19.6	14.3	7.6	9.8	9.9	6.1	8	16.9	4.9
J30J-15ZK-C	23.5	18.2	7.6	13.7	13.8	6.1	8	16.9	4.9
J30J-21ZK-C	27.4	22	7.6	17.4	17.6	6.1	8	16.9	4.9
J30J-25ZK-C	29.8	24.5	7.6	20	20.2	6.1	8	16.9	4.9
J30J-31ZK-C	33.6	28.3	7.6	23.8	24	6.1	8	16.9	4.9
J30J-37ZK-C	37.4	32.2	7.6	27.7	27.8	6.1	8	16.9	4.9
J30J-51ZK-C	36.4	30.86	8.7	26.5	26.6	7.2	9.1	15.9	4.9
J30J-66ZK-C	42.9	37.3	8.7	32.9	33	7.2	9.1	18.2	4.9
J30J-74ZK-C	38.8	33.5	9.7	29	29.1	8.3	10.1	19.4	4.9
J30J-100ZK-C	54.7	45.7	9.7	36.6	36.6	8.3	10.1	19.4	4.9

Dimensions

Pre-Wired Connectors

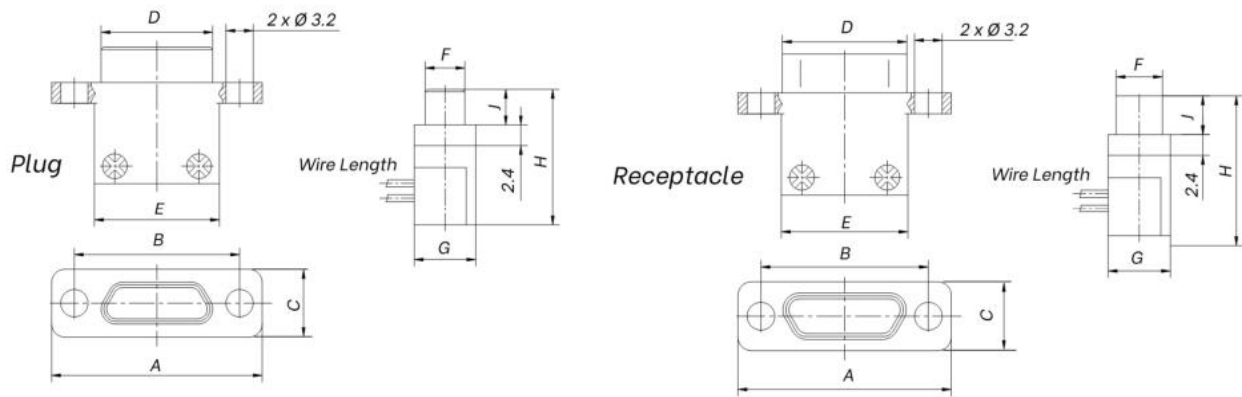


Connector type	A	B	C	D	E	F	G	H	J
J30J-9TJ-D	19.6	14.3	7.6	8.3	9.9	4.7	6.8	10.5	4.6
J30J-15TJ-D	23.5	18.2	7.6	12.3	13.8	4.7	6.8	10.5	4.6
J30J-21TJ-D	27.4	22	7.6	16	17.6	4.7	6.8	10.5	4.6
J30J-25TJ-D	29.8	24.5	7.6	18.6	20.2	4.7	6.8	10.5	4.6
J30J-31TJ-D	33.6	28.3	7.6	22.4	24	4.7	6.8	10.5	4.6
J30J-37TJ-D	37.4	32.2	7.6	26.3	27.8	4.7	6.8	10.5	4.6
J30J-51TJ-D	36.4	30.86	8.7	25	26.6	5.8	7.9	10.5	4.6
J30J-66TJ-D	42.9	37.3	8.7	31.4	33	5.8	7.9	10.5	4.6
J30J-74TJ-D	38.8	33.5	9.7	27.5	29.1	6.8	9.1	10.5	4.6
J30J-100TJ-D	54.7	45.7	9.7	35.1	36.6	6.8	9.1	10.5	4.6
J30J-9ZK-D	19.6	14.3	7.6	9.8	9.9	6.1	6.8	10.9	4.3
J30J-15ZK-D	23.5	18.2	7.6	13.7	13.8	6.1	6.8	10.9	4.3
J30J-21ZK-D	27.4	22	7.6	17.4	17.6	6.1	6.8	10.9	4.3
J30J-25ZK-D	29.8	24.5	7.6	20	20.2	6.1	6.8	10.9	4.3
J30J-31ZK-D	33.6	28.3	7.6	23.8	24	6.1	6.8	10.9	4.3
J30J-37ZK-D	37.4	32.2	7.6	27.7	27.8	6.1	6.8	10.9	4.3
J30J-51ZK-D	36.4	30.86	8.7	26.5	26.6	7.2	7.9	10.9	4.3
J30J-66ZK-D	42.9	37.3	8.7	32.9	33	7.2	7.9	10.9	4.3
J30J-74ZK-D	38.8	33.5	9.7	29	29.1	8.3	9.1	10.9	4.3
J30J-100ZK-D	54.7	45.7	9.7	36.6	36.6	8.3	9.1	10.9	4.3

J30J series twisted pin micro rectangular electrical connectors

Dimensions

Pre-Wired Connectors

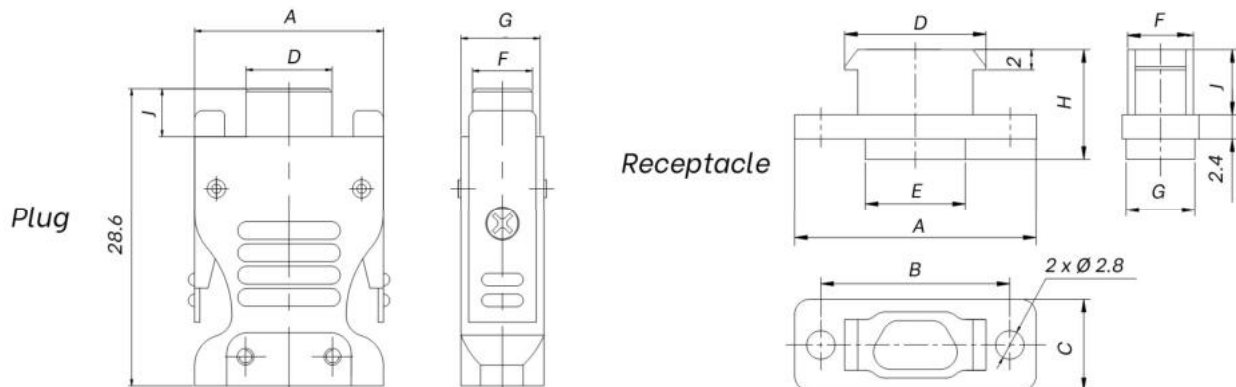


Connector type	A	B	C	D	E	F	G	H	J
J30J-9TJ-Q	26	21	14	8.3	9.9	4.7	6.8	10.5	4.6
J30J-15TJ-Q	29.9	24.9	14	12.3	13.8	4.7	6.8	10.5	4.6
J30J-21TJ-Q	33.8	28.7	14	16	17.6	4.7	6.8	10.5	4.6
J30J-25TJ-Q	36.2	31.2	14	18.6	20.2	4.7	6.8	10.5	4.6
J30J-31TJ-Q	40	35	14	22.4	24	4.7	6.8	10.5	4.6
J30J-37TJ-Q	43.8	38.9	14	26.3	27.8	4.7	6.8	10.5	4.6
J30J-51TJ-Q	42.6	37.6	15.2	25	26.6	5.8	7.9	10.5	4.6
J30J-66TJ-Q	49.3	44	15.2	31.4	33	5.8	7.9	10.5	4.6
J30J-74TJ-Q	45.2	40.2	16.1	27.5	29.1	6.8	9.1	10.5	4.6
J30J-100TJ-Q	61.1	52.4	16.1	35.1	36.6	6.8	9.1	10.5	4.6
J30J-9ZK-Q	26	21	14	9.8	9.9	6.1	6.8	10.9	4.9
J30J-15ZK-Q	29.9	24.9	14	13.7	13.8	6.1	6.8	10.9	4.9
J30J-21ZK-Q	33.8	28.7	14	17.4	17.6	6.1	6.8	10.9	4.9
J30J-25ZK-Q	36.2	31.2	14	20	20.2	6.1	6.8	10.9	4.9
J30J-31ZK-Q	40	35	14	23.8	24	6.1	6.8	10.9	4.9
J30J-37ZK-Q	43.8	38.9	14	27.7	27.8	6.1	6.8	10.9	4.9
J30J-51ZK-Q	42.6	37.6	15.2	26.5	26.6	7.2	7.9	10.9	4.9
J30J-66ZK-Q	49.3	44	15.2	32.9	33	7.2	7.9	10.9	4.9
J30J-74ZK-Q	45.2	40.2	16.1	29	29.1	8.3	9.1	10.9	4.9
J30J-100ZK-Q	61.1	52.4	16.1	36.6	36.6	8.3	9.1	10.9	4.9

Note: rubber gasket not provided

Dimensions

Quick lock Pre-Wired Connectors



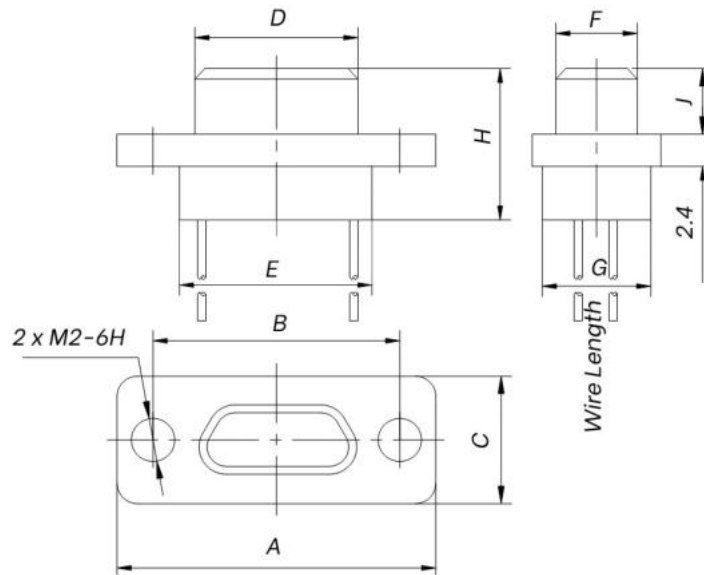
Connector type	A	B	C	D	E	F	G	H	J
J30JA-9TJ	18.2			8.3		4.7	8.1		4.6
J30JA-15TJ	22.1			12.3		4.7	8.1		4.6
J30JA-21TJ	25.8			16		4.7	8.1		4.6
J30JA-25TJ	28.4			18.6		4.7	8.1		4.6
J30JA-31TJ	32.2			22.4		4.7	8.1		4.6
J30JA-37TJ	36			26.3		4.7	8.1		4.6
J30JA-51TJ	34.8			25		5.8	10		4.6
J30JA-66TJ	41.2			31.4		5.8	10		4.6
J30JA-74TJ	37.2			27.5		6.8	11		4.6
J30JA-100TJ	44.8			35.1		6.8	11		4.6
J30JA-9ZK	23.4	18.6	7.6	14.3	9.9	6.5	6.8	10.9	6.4
J30JA-15ZK	27.4	22.6	7.6	18.3	13.8	6.5	6.8	10.9	6.4
J30JA-21ZK	31.1	26.3	7.6	22	17.6	6.5	6.8	10.9	6.4
J30JA-25ZK	33.7	28.9	7.6	24.6	20.2	6.5	6.8	10.9	6.4
J30JA-31ZK	37.5	32.7	7.6	28.4	24	6.5	6.8	10.9	6.4
J30JA-37ZK	41.4	36.6	7.6	32.3	27.8	6.5	6.8	10.9	6.4
J30JA-51ZK	40.1	35.3	8.7	31	26.6	7.6	7.9	10.9	6.4
J30JA-66ZK	46.5	41.7	8.7	37.4	33	7.6	7.9	10.9	6.4
J30JA-74ZK	42.6	37.8	9.7	33.5	29.1	8.7	9.1	10.9	6.4
J30JA-100ZK	50.1	45.3	9.7	41	36.6	8.7	9.1	10.9	6.4

J30J series twisted pin micro rectangular electrical connectors



Dimensions

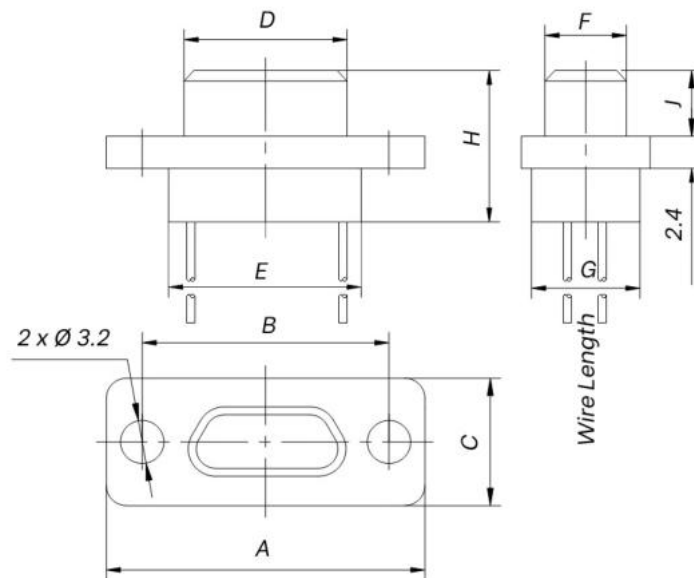
Pre-Wired Connectors



Connector type	A	B	C	D	E	F	G	H	J
J30JD-9TJ	19.6	14.3	7.6	8.3	9.9	4.7	6.8	10.5	4.6
J30JD-15TJ	23.5	18.2	7.6	12.3	13.8	4.7	6.8	10.5	4.6
J30JD-21TJ	27.4	22	7.6	16	17.6	4.7	6.8	10.5	4.6
J30JD-25TJ	29.8	24.5	7.6	18.6	20.2	4.7	6.8	10.5	4.6
J30JD-31TJ	33.6	28.3	7.6	22.4	24	4.7	6.8	10.5	4.6
J30JD-37TJ	37.4	32.2	7.6	26.3	27.8	4.7	6.8	10.5	4.6
J30JD-51TJ	36.4	30.86	8.7	25	26.6	5.8	7.9	10.5	4.6
J30JD-66TJ	42.9	37.3	8.7	31.4	33	5.8	7.9	10.5	4.6
J30JD-74TJ	38.8	33.5	9.7	27.5	29.1	6.8	9.1	10.5	4.6
J30JD-100TJ	54.7	45.7	9.7	35.1	36.6	6.8	9.1	10.5	4.6
J30JD-9ZK	19.6	14.3	7.6	9.8	9.9	6.1	6.8	10.9	4.9
J30JD-15ZK	23.5	18.2	7.6	13.7	13.8	6.1	6.8	10.9	4.9
J30JD-21ZK	27.4	22	7.6	17.4	17.6	6.1	6.8	10.9	4.9
J30JD-25ZK	29.8	24.5	7.6	20	20.2	6.1	6.8	10.9	4.9
J30JD-31ZK	33.6	28.3	7.6	23.8	24	6.1	6.8	10.9	4.9
J30JD-37ZK	37.4	32.2	7.6	27.7	27.8	6.1	6.8	10.9	4.9
J30JD-51ZK	36.4	30.86	8.7	26.5	26.6	7.2	7.9	10.9	4.9
J30JD-66ZK	42.9	37.3	8.7	32.9	33	7.2	7.9	10.9	4.9
J30JD-74ZK	38.8	33.5	9.7	29	29.1	8.3	9.1	10.9	4.9
J30JD-100ZK	54.7	45.7	9.7	36.6	36.6	8.3	9.1	10.9	4.9

Dimensions

Pre-Wired Connectors



Connector type	A	B	C	D	E	F	G	H	J
J30JM-9ZK	19.6	14.3	12	9.8	9.9	6.1	6.8	15	4.9
J30JM-15ZK	23.5	18.2	12	13.7	13.8	6.1	6.8	15	4.9
J30JM-21ZK	27.4	22	12	17.4	17.6	6.1	6.8	15	4.9
J30JM-25ZK	29.8	24.5	12	20	20.2	6.1	6.8	15	4.9
J30JM-31ZK	33.6	28.3	12	23.8	24	6.1	6.8	15	4.9
J30JM-37ZK	37.4	32.2	12	27.7	27.8	6.1	6.8	15	4.9
J30JM-51ZK	36.4	30.86	13	26.5	26.6	7.2	7.9	15	4.9
J30JM-66ZK	42.9	37.3	13	32.9	33	7.2	7.9	15	4.9
J30JM-74ZK	38.8	33.5	14	29	29.1	8.3	9.1	15	4.9
J30JM-100ZK	54.7	45.7	14	36.6	36.6	8.3	9.1	15	4.9

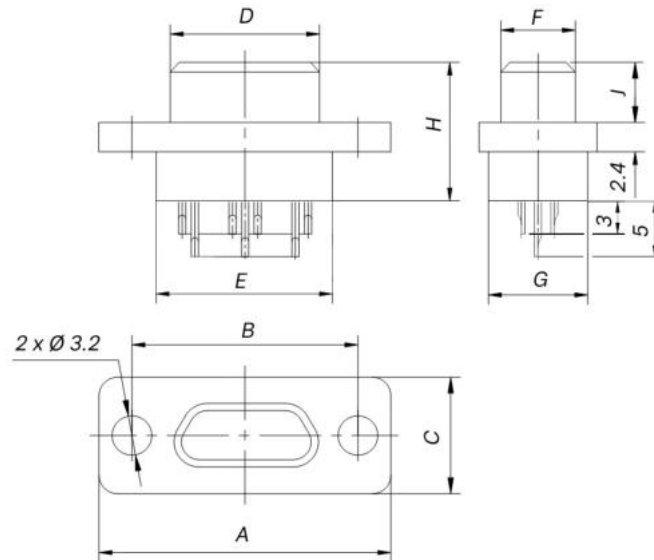
Note: rubber gasket not provided

J30J series twisted pin micro rectangular electrical connectors



Dimensions

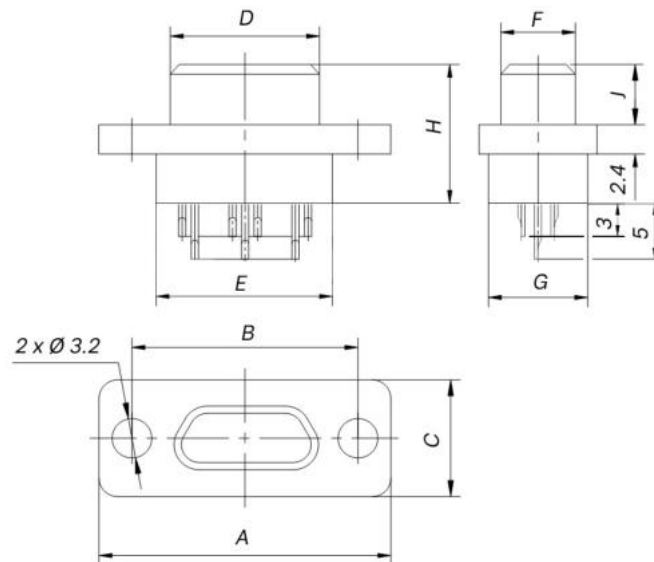
Solder Cup Connectors



Connector type	A	B	C	D	E	F	G	H	J
J30J-9TJ	19.6	14.3	7.6	8.3	9.9	4.7	6.8	10.5	4.6
J30J-15TJ	23.5	18.2	7.6	12.3	13.8	4.7	6.8	10.5	4.6
J30J-21TJ	27.4	22	7.6	16	17.6	4.7	6.8	10.5	4.6
J30J-25TJ	29.8	24.5	7.6	18.6	20.2	4.7	6.8	10.5	4.6
J30J-31TJ	33.6	28.3	7.6	22.4	24	4.7	6.8	10.5	4.6
J30J-37TJ	37.4	32.2	7.6	26.3	27.8	4.7	6.8	10.5	4.6
J30J-51TJ	36.4	30.86	8.7	25	26.6	5.8	7.9	10.5	4.6
J30J-66TJ	42.9	37.3	8.7	31.4	33	5.8	7.9	10.5	4.6
J30J-74TJ	38.8	33.5	9.7	27.5	29.1	6.8	9.1	10.5	4.6
J30J-100TJ	54.7	45.7	9.7	35.1	36.6	6.8	9.1	10.5	4.6
J30J-9ZK	19.6	14.3	7.6	9.8	9.9	6.1	6.8	10.9	4.9
J30J-15ZK	23.5	18.2	7.6	13.7	13.8	6.1	6.8	10.9	4.9
J30J-21ZK	27.4	22	7.6	17.4	17.6	6.1	6.8	10.9	4.9
J30J-25ZK	29.8	24.5	7.6	20	20.2	6.1	6.8	10.9	4.9
J30J-31ZK	33.6	28.3	7.6	23.8	24	6.1	6.8	10.9	4.9
J30J-37ZK	37.4	32.2	7.6	27.7	27.8	6.1	6.8	10.9	4.9
J30J-51ZK	36.4	30.86	8.7	26.5	26.6	7.2	7.9	10.9	4.9
J30J-66ZK	42.9	37.3	8.7	32.9	33	7.2	7.9	10.9	4.9
J30J-74ZK	38.8	33.5	9.7	29	29.1	8.3	9.1	10.9	4.9
J30J-100ZK	54.7	45.7	9.7	36.6	36.6	8.3	9.1	10.9	4.9

Dimensions

Solder Cup Connectors



Connector type	A	B	C	D	E	F	G	H	J
J30JM-9ZK	19.6	14.3	11.6	9.8	9.9	6.1	6.8	13	4.9
J30JM-15ZK	23.5	18.2	11.6	13.7	13.8	6.1	6.8	13	4.9
J30JM-21ZK	27.4	22	11.6	17.4	17.6	6.1	6.8	13	4.9
J30JM-25ZK	29.8	24.5	11.6	20	20.2	6.1	6.8	13	4.9
J30JM-31ZK	33.6	28.3	11.6	23.8	24	6.1	6.8	13	4.9
J30JM-37ZK	37.4	32.2	11.6	27.7	27.8	6.1	6.8	13	4.9
J30JM-51ZK	36.4	30.86	12.7	26.5	26.6	7.2	7.9	13	4.9
J30JM-66ZK	42.9	37.3	12.7	32.9	33	7.2	7.9	13	4.9
J30JM-74ZK	38.8	33.5	13.7	29	29.1	8.3	9.1	12.5	4.9
J30JM-100ZK	54.7	45.7	13.7	36.6	36.6	8.3	9.1	12.5	4.9

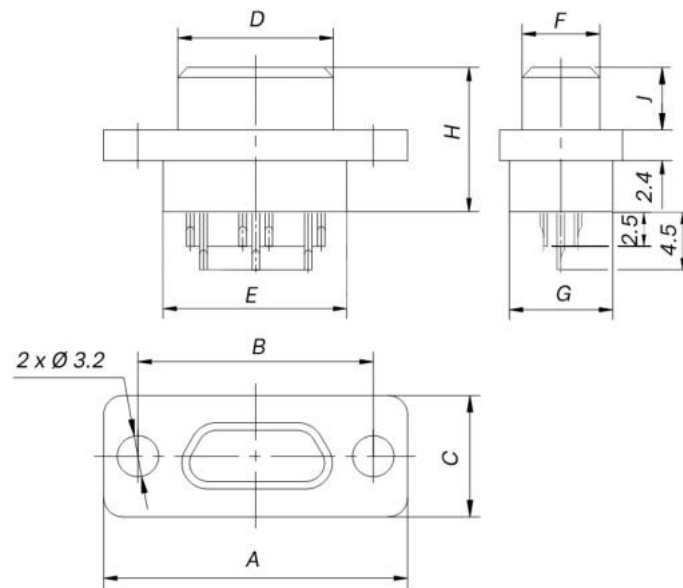
Note: rubber gasket not provided

J30J series twisted pin micro rectangular electrical connectors



Dimensions

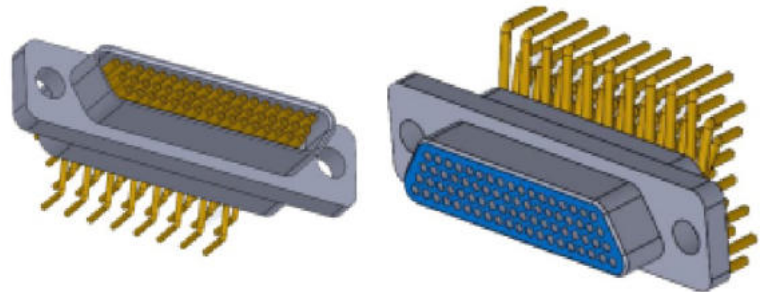
Solder Cup Connectors



Connector type	A	B	C	D	E	F	G	H	J
J30JM1-9ZK	19.6	14.3	12	9.8	9.9	6.1	6.8	9.9	4.9
J30JM1-15ZK	23.5	18.2	12	13.7	13.8	6.1	6.8	9.9	4.9
J30JM1-21ZK	27.4	22	12	17.4	17.6	6.1	6.8	9.9	4.9
J30JM1-25ZK	29.8	24.5	12	20	20.2	6.1	6.8	9.9	4.9
J30JM1-31ZK	33.6	28.3	12	23.8	24	6.1	6.8	9.9	4.9
J30JM1-37ZK	37.4	32.2	12	27.7	27.8	6.1	6.8	9.9	4.9
J30JM1-51ZK	36.4	30.86	13	26.5	26.6	7.2	7.9	9.9	4.9

Note: rubber gasket not provided

Printed Circuit Board Connectors Vertical Mount thru-hole



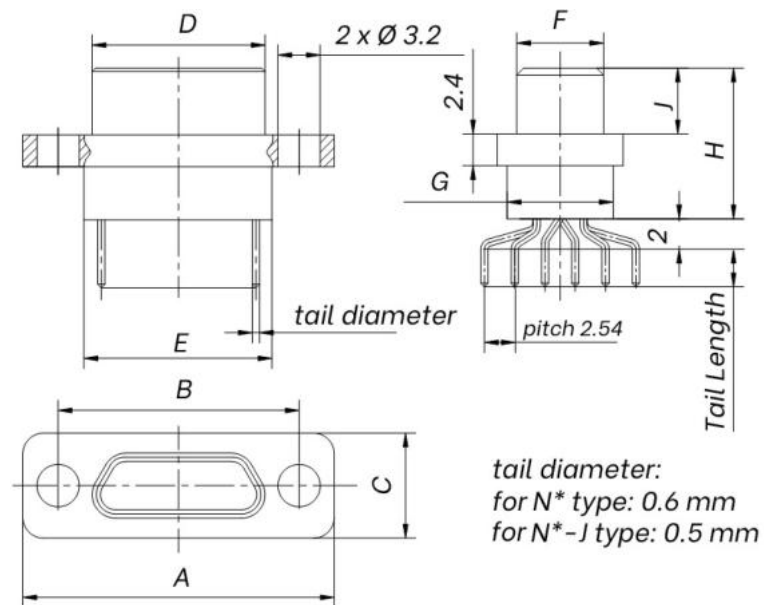
Basic series	J30J	-	25	TJ	N	-S
Shell Type:						
Omit = standard version (aluminum/nickel)						
A = quick locking Receptacle						
C = shell material is tin phosphor bronze and nickel plating						
D = mounting hole is changed to M2-6H						
M = glue sealing version						
M1 = sintered glass sealing version						
Contact layouts: 9, 15, 21, 25, 31, 37, 51, 66, 74, 100						
Connector type:						
ZK = receptacle with sockets						
TJ = plug with pins						
Termination Type:						
N = Vertical Board Mount Connector, grid size 2.54 x 2.54, Tail Length 3.7 mm						
N3 = Vertical Board Mount Receptacle, grid size 2.54 x 2.5, Tail Length 4.7 mm						
N4 = Vertical Board Mount Connector, grid size 2.54 x 2.5, Tail Length 5.2 mm						
N8 = Vertical Board Mount Plug, grid size 2.54 x 2.5, Tail Length 6 mm						
Hardware Options:						
Omit = No Hardware						
Hardware Type P						
Hardware Type L						
Hardware Type K						
Hardware Type V						
(See J30J Hardware components)						
Shell Material/Finish:						
Omit = Aluminum/Nickel						
G = Aluminum/Cadmium						
Modification Option:						
Omit = standard version						
J = Vertical Board Mount, grid size 1.27 x 2.54						

J30J series twisted pin micro rectangular electrical connectors



Dimensions

Vertical Mount thru-hole (need a consultation)

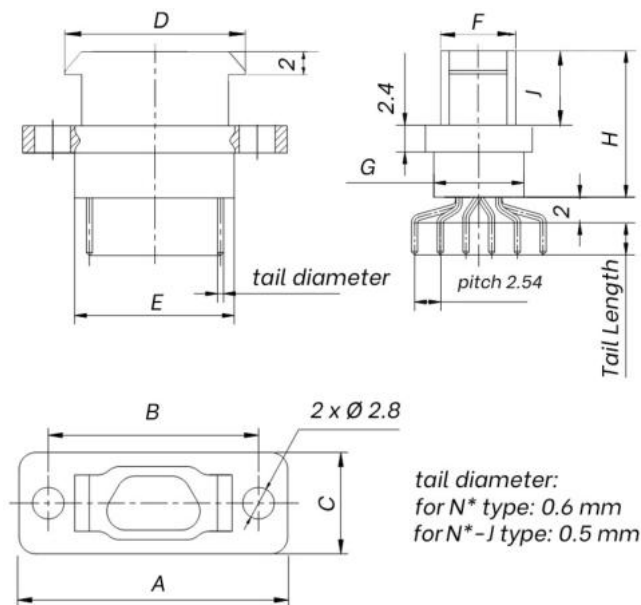


Connector type	A	B	C	D	E	F	G	H	J
J30J-9TJN*(-J)	19.6	14.3	7.6	8.3	9.9	4.7	6.8	10.5	4.6
J30J-15TJN*(-J)	23.5	18.2	7.6	12.3	13.8	4.7	6.8	10.5	4.6
J30J-21TJN*(-J)	27.4	22	7.6	16	17.6	4.7	6.8	10.5	4.6
J30J-25TJN*(-J)	29.8	24.5	7.6	18.6	20.2	4.7	6.8	10.5	4.6
J30J-31TJN*(-J)	33.6	28.3	7.6	22.4	24	4.7	6.8	10.5	4.6
J30J-37TJN*(-J)	37.4	32.2	7.6	26.3	27.8	4.7	6.8	10.5	4.6
J30J-51TJN*(-J)	36.4	30.86	8.7	25	26.6	5.8	7.9	10.5	4.6
J30J-66TJN*(-J)	42.9	37.3	8.7	31.4	33	5.8	7.9	10.5	4.6
J30J-74TJN*(-J)	38.8	33.5	9.7	27.5	29.1	6.8	9.1	10.5	4.6
J30J-100TJN*(-J)	54.7	45.7	9.7	35.1	36.6	6.8	9.1	10.5	4.6
J30J-9ZKN*(-J)	19.6	14.3	7.6	9.8	9.9	6.1	6.8	10.9	4.9
J30J-15ZKN*(-J)	23.5	18.2	7.6	13.7	13.8	6.1	6.8	10.9	4.9
J30J-21ZKN*(-J)	27.4	22	7.6	17.4	17.6	6.1	6.8	10.9	4.9
J30J-25ZKN*(-J)	29.8	24.5	7.6	20	20.2	6.1	6.8	10.9	4.9
J30J-31ZKN*(-J)	33.6	28.3	7.6	23.8	24	6.1	6.8	10.9	4.9
J30J-37ZKN*(-J)	37.4	32.2	7.6	27.7	27.8	6.1	6.8	10.9	4.9
J30J-51ZKN*(-J)	36.4	30.86	8.7	26.5	26.6	7.2	7.9	10.9	4.9
J30J-66ZKN*(-J)	42.9	37.3	8.7	32.9	33	7.2	7.9	10.9	4.9
J30J-74ZKN*(-J)	38.8	33.5	9.7	29	29.1	8.3	9.1	10.9	4.9
J30J-100ZKN*(-J)	54.7	45.7	9.7	36.6	36.6	8.3	9.1	10.9	4.9

* – see Termination Type

Dimensions

Quick lock Receptacles (need a consultation)



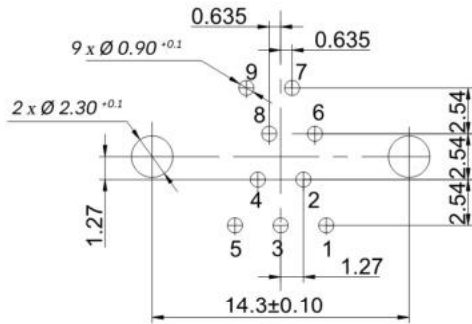
Connector type	A	B	C	D	E	F	G	H	J
J30JA-9ZKN*(-J)	23.4	18.6	7.6	14.3	9.9	6.5	6.8	10.9	6.4
J30JA-15ZKN*(-J)	27.4	22.6	7.6	18.3	13.8	6.5	6.8	10.9	6.4
J30JA-21ZKN*(-J)	31.1	26.3	7.6	22	17.6	6.5	6.8	10.9	6.4
J30JA-25ZKN*(-J)	33.7	28.9	7.6	24.6	20.2	6.5	6.8	10.9	6.4
J30JA-31ZKN*(-J)	37.5	32.7	7.6	28.4	24	6.5	6.8	10.9	6.4
J30JA-37ZKN*(-J)	41.4	36.6	7.6	32.3	27.8	6.5	6.8	10.9	6.4
J30JA-51ZKN*(-J)	40.1	35.3	8.7	31	26.6	7.6	7.9	10.9	6.4
J30JA-66ZKN*(-J)	46.5	41.7	8.7	37.4	33	7.6	7.9	10.9	6.4
J30JA-74ZKN*(-J)	42.6	37.8	9.7	33.5	29.1	8.7	9.1	10.9	6.4
J30JA-100ZKN*(-J)	50.1	45.3	9.7	41	36.6	8.7	9.1	10.9	6.4

* – see Termination Type

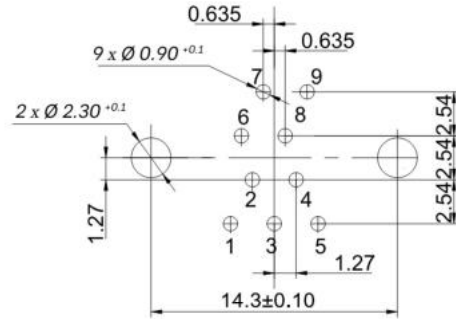
J30J series twisted pin micro rectangular electrical connectors



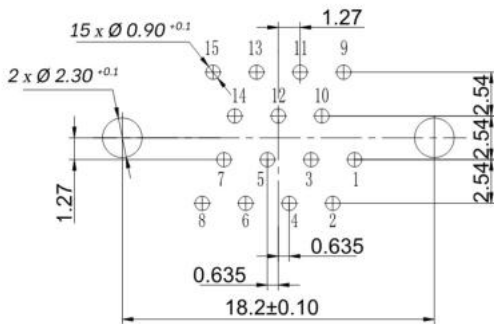
PCB Layouts



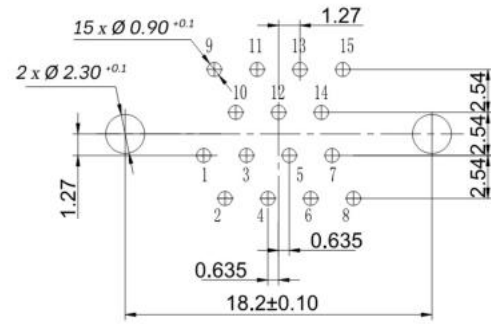
J30J-9TJN, TJN4, TJN8



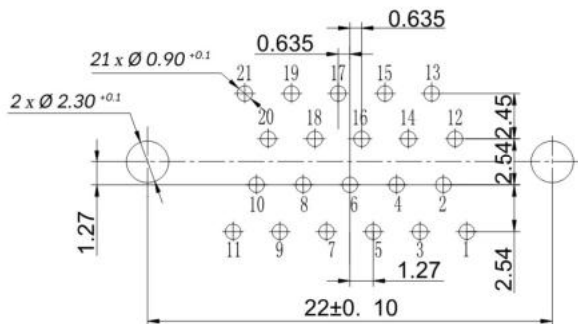
J30J-9ZKN, ZKN3, ZKN4



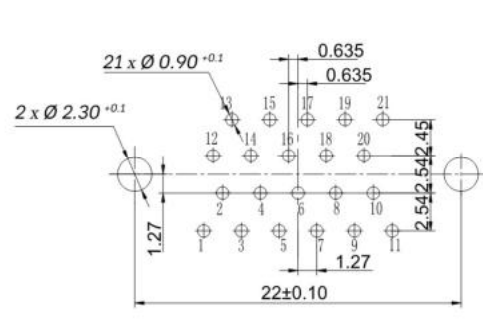
J30J-15TJN, TJN4, TJN8



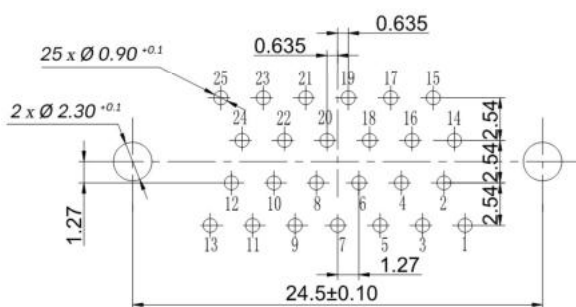
J30J-15ZKN, ZKN3, ZKN4



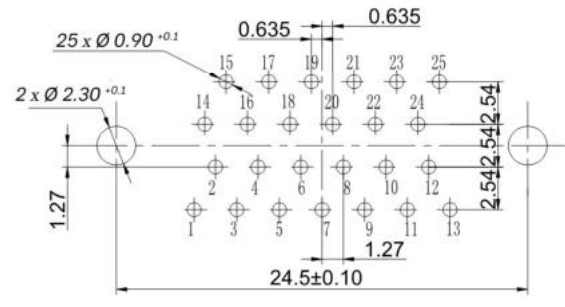
J30J-21TJN, TJN4, TJN8



J30J-21ZKN, ZKN3, ZKN4



J30J-25TJN, TJN4, TJN8

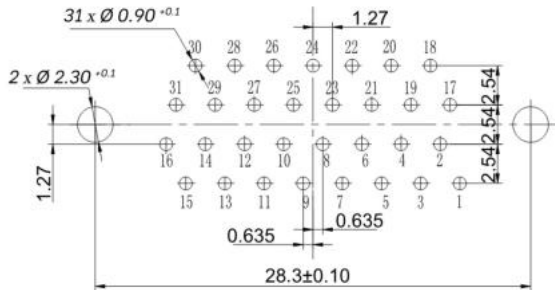


J30J-25ZKN, ZKN3, ZKN4

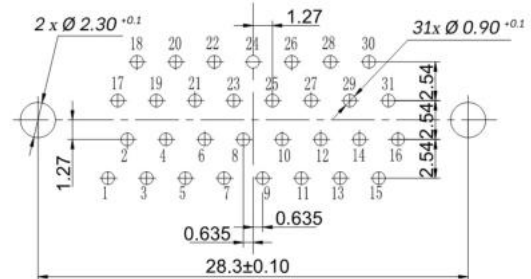


J30J series twisted pin micro rectangular electrical connectors

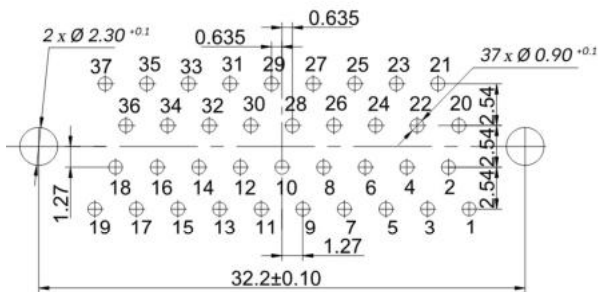
PCB Layouts



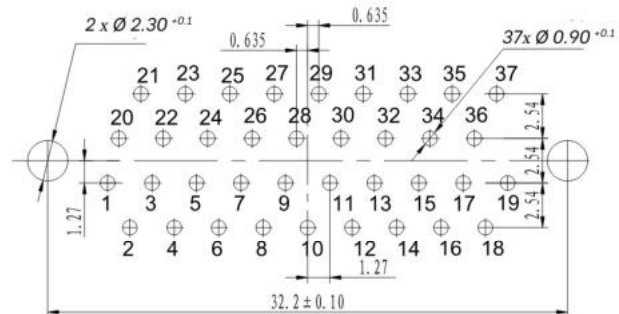
J30J-31TJN, TJN4, TJN8



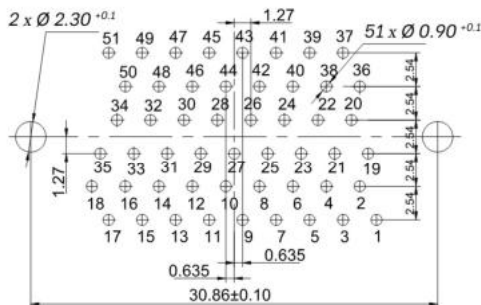
J30J-31ZKN, ZKN3, ZKN4



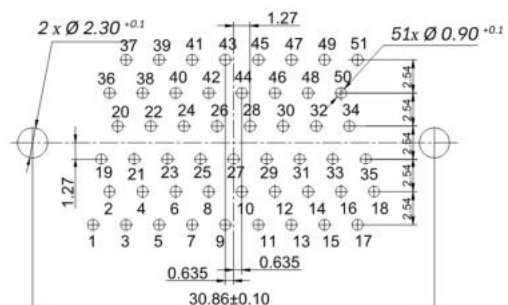
J30J-37TJN, TJN4, TJN8



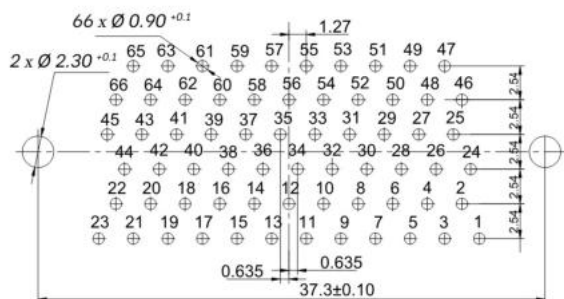
J30J-37ZKN, ZKN3, ZKN4



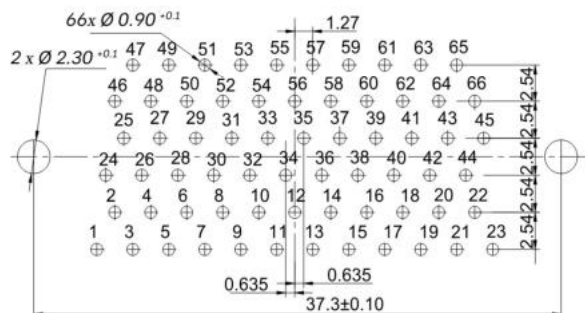
J30J-51TJN, TJN4



J30J-51ZKN, ZKN3, ZKN4



J30J-66TJN, TJN4

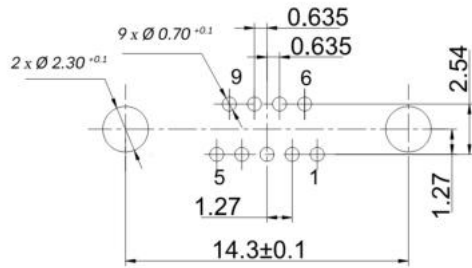


J30J-66ZKN, ZKN3, ZKN4

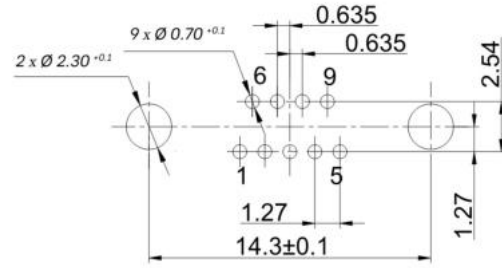
J30J series twisted pin micro rectangular electrical connectors



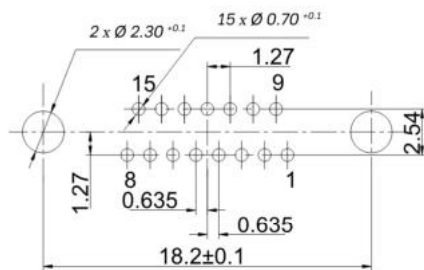
PCB Layouts



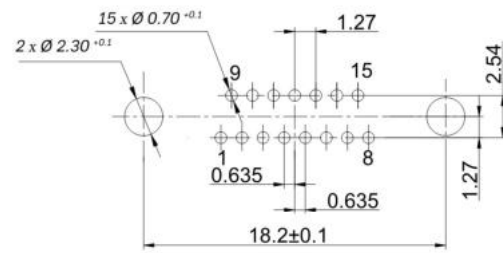
J30J-9TJN-J



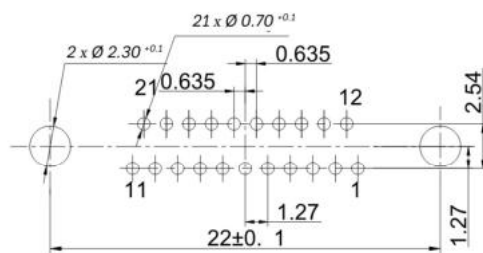
J30J-9ZKN-J, ZKN4-J



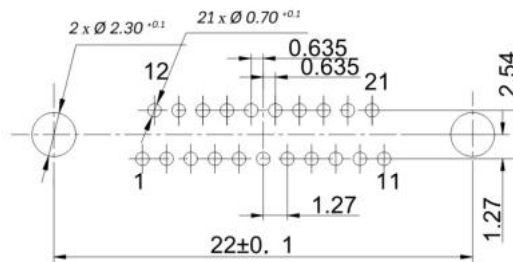
J30J-15TJN-J



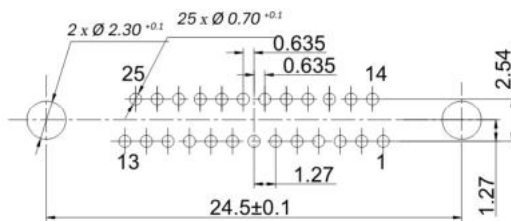
J30J-15ZKN-J, ZKN4-J



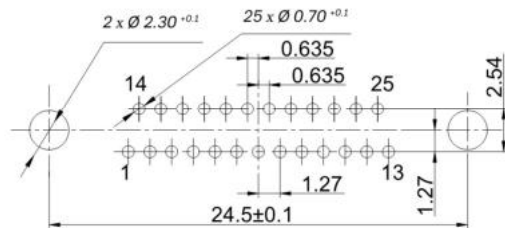
J30J-21TJN-J



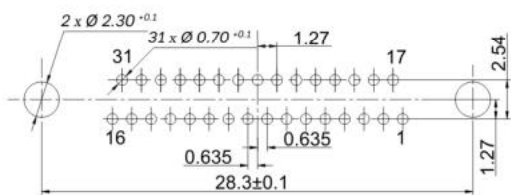
J30J-21ZKN-J, ZKN4-J



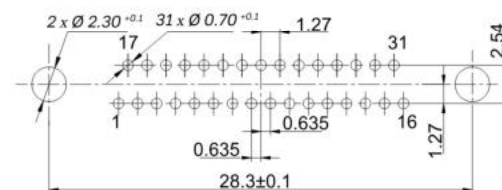
J30J-25TJN-J



J30J-25ZKN-J, ZKN4-J



J30J-31TJN-J

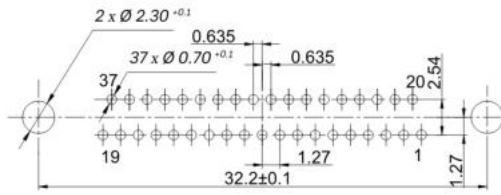


J30J-31ZKN-J, ZKN4-J

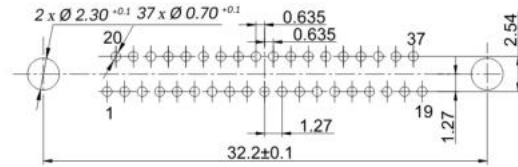


J30J series twisted pin micro rectangular electrical connectors

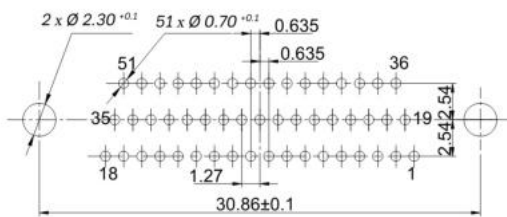
PCB Layouts



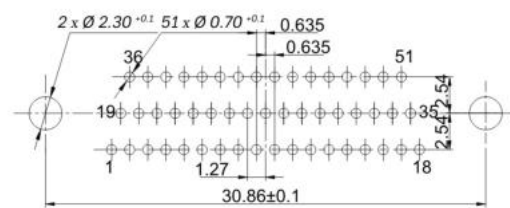
J30J-37TJN-J



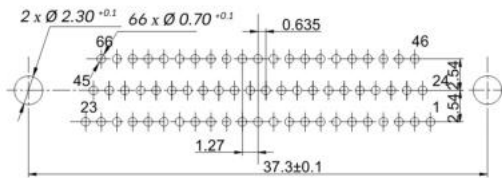
J30J-37ZKN-J, ZKN4-J



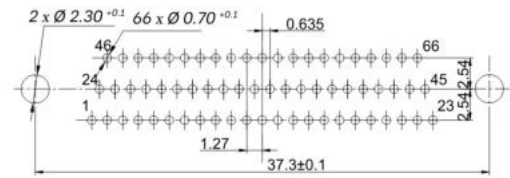
J30J-51TJN-J



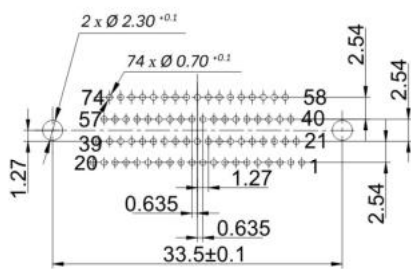
J30J-51ZKN-J, ZKN4-J



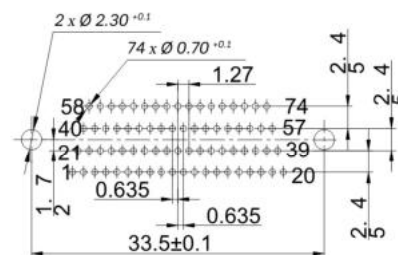
J30J-66TJN-J



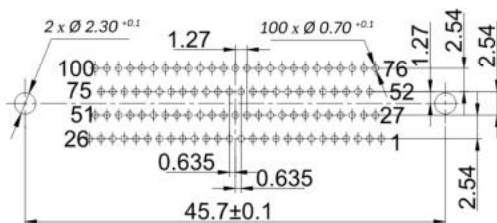
J30J-66ZKN-J, ZKN4-J



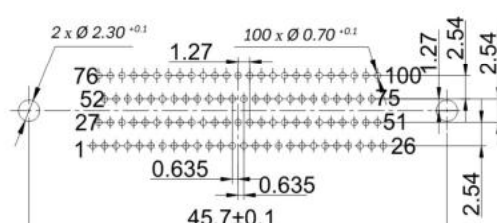
J30J-74TJN-J



J30J-74ZKN-J, ZKN4-J



J30J-100TJN-J

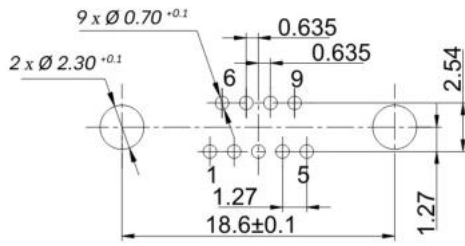


J30J-100ZKN-J, ZKN4-J

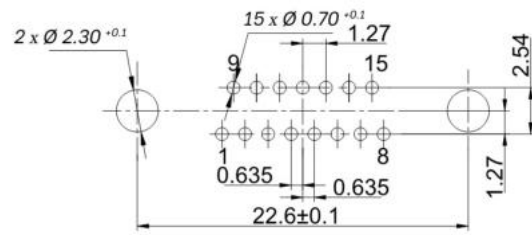
J30J series twisted pin micro rectangular electrical connectors



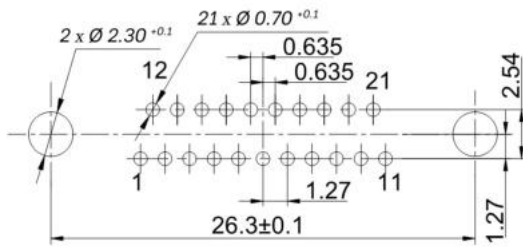
PCB Layouts



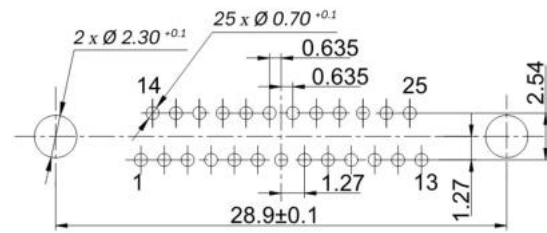
J30JA-9ZKN-J



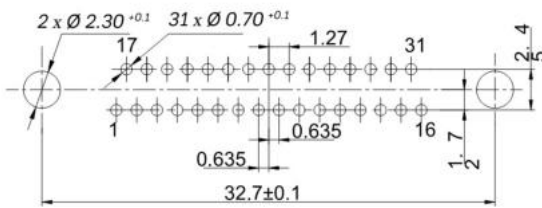
J30JA-15ZKN-J



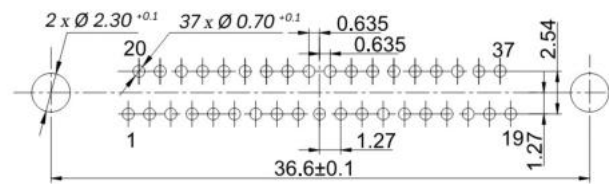
J30JA-21ZKN-J



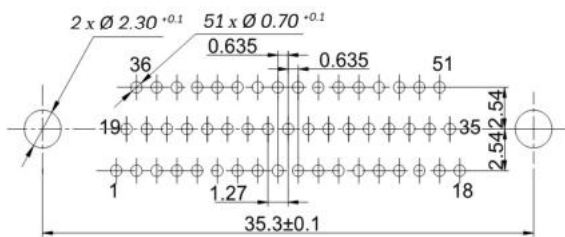
J30JA-25ZKN-J



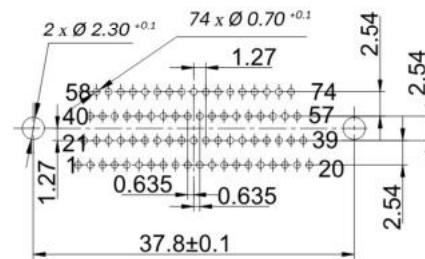
J30JA-31ZKN-J



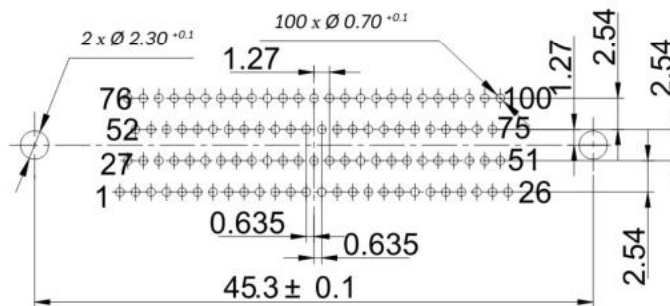
J30JA-37ZKN-J



J30JA-51ZKN-J



J30JA-74ZKN-J

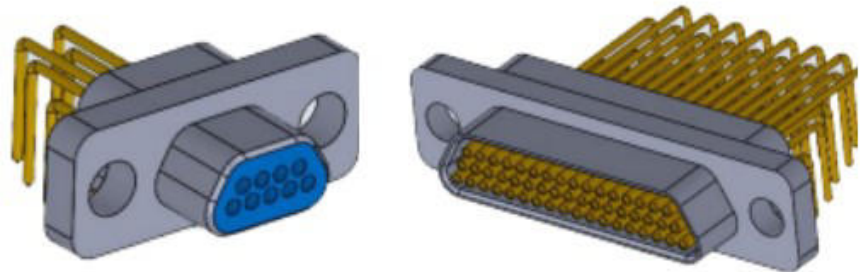


J30JA-100ZKN-J



J30J series twisted pin micro rectangular electrical connectors

Printed Circuit Board Connectors Right Angle Mount thru-hole



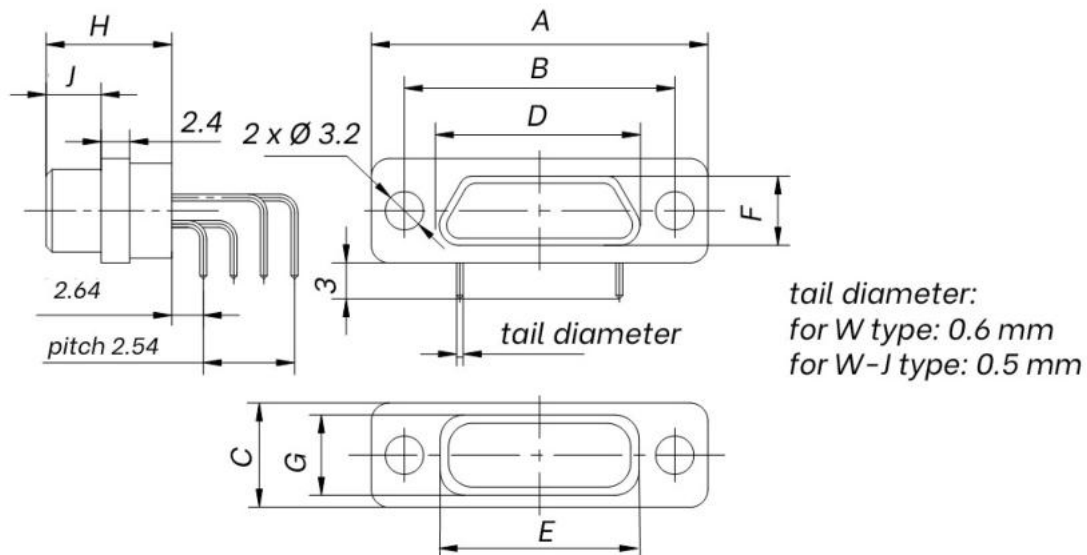
Basic series	J30J	-	25	TJ	W	-J
Shell Type:						
Omit = standard version (aluminum/nickel)						
A = quick locking type						
C = shell material is tin phosphor bronze and nickel plating						
D = mounting hole is changed to M2-6H						
M = glue sealing version						
M1 = sintered glass sealing version						
Contact layouts: 9, 15, 21, 25, 31, 37, 51, 66, 74, 100						
Connector type:						
ZK = receptacle with sockets						
TJ = plug with pins						
Termination Type:						
W = right angle PCB						
Hardware Options:						
Omit = No Hardware						
Hardware Type P						
Hardware Type L						
Hardware Type K						
Hardware Type V						
(See J30J Hardware components)						
Shell Material/Finish:						
Omit = Aluminum/Nickel						
G = Aluminum/Cadmium						
Modification Option:						
Omit = standard version						
J = Right Angle Board Mount, grid size 1.27 x 2.54						

J30J series twisted pin micro rectangular electrical connectors



Dimensions

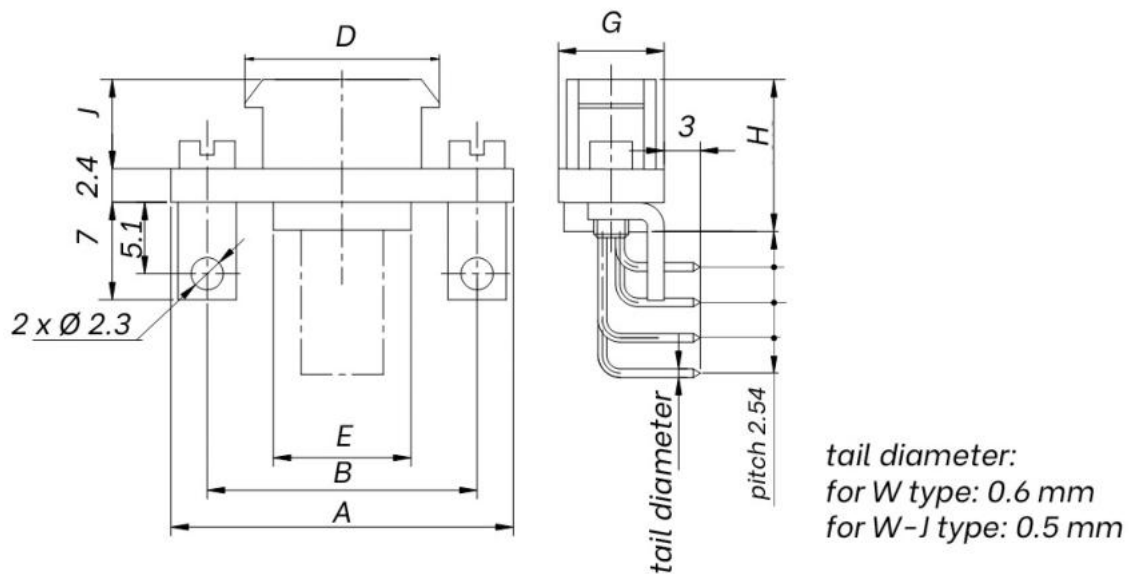
Right Angle Thru-Hole (need a consultation)



Connector type	A	B	C	D	E	F	G	H	J
J30J-9TJW(-J)	19.6	14.3	7.6	8.3	9.9	4.7	6.8	10.5	4.6
J30J-15TJW(-J)	23.5	18.2	7.6	12.3	13.8	4.7	6.8	10.5	4.6
J30J-21TJW(-J)	27.4	22	7.6	16	17.6	4.7	6.8	10.5	4.6
J30J-25TJW(-J)	29.8	24.5	7.6	18.6	20.2	4.7	6.8	10.5	4.6
J30J-31TJW(-J)	33.6	28.3	7.6	22.4	24	4.7	6.8	10.5	4.6
J30J-37TJW(-J)	37.4	32.2	7.6	26.3	27.8	4.7	6.8	10.5	4.6
J30J-51TJW(-J)	36.4	30.86	8.7	25	26.6	5.8	7.9	10.5	4.6
J30J-66TJW(-J)	42.9	37.3	8.7	31.4	33	5.8	7.9	10.5	4.6
J30J-74TJW(-J)	38.8	33.5	9.7	27.5	29.1	6.8	9.1	10.5	4.6
J30J-100TJW(-J)	54.7	45.7	9.7	35.1	36.6	6.8	9.1	10.5	4.6
J30J-9ZKW(-J)	19.6	14.3	7.6	9.8	9.9	6.1	6.8	10.9	4.9
J30J-15ZKW(-J)	23.5	18.2	7.6	13.7	13.8	6.1	6.8	10.9	4.9
J30J-21ZKW(-J)	27.4	22	7.6	17.4	17.6	6.1	6.8	10.9	4.9
J30J-25ZKW(-J)	29.8	24.5	7.6	20	20.2	6.1	6.8	10.9	4.9
J30J-31ZKW(-J)	33.6	28.3	7.6	23.8	24	6.1	6.8	10.9	4.9
J30J-37ZKW(-J)	37.4	32.2	7.6	27.7	27.8	6.1	6.8	10.9	4.9
J30J-51ZKW(-J)	36.4	30.86	8.7	26.5	26.6	7.2	7.9	10.9	4.9
J30J-66ZKW(-J)	42.9	37.3	8.7	32.9	33	7.2	7.9	10.9	4.9
J30J-74ZKW(-J)	38.8	33.5	9.7	29	29.1	8.3	9.1	10.9	4.9
J30J-100ZKW(-J)	54.7	45.7	9.7	36.6	36.6	8.3	9.1	10.9	4.9

Dimensions

Quick lock Receptacles (need a consultation)

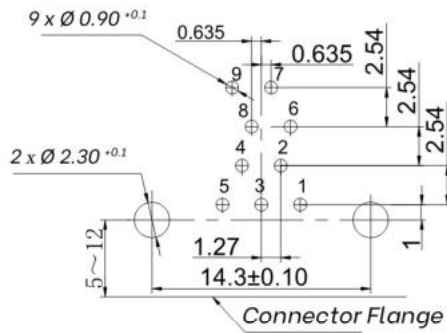


Connector type	A	B	C	D	E	F	G	H	J
J30JA-9ZKW(-J)	23.4	18.6	7.6	14.3	9.9	6.5	6.8	10.9	6.4
J30JA-15ZKW(-J)	27.4	22.6	7.6	18.3	13.8	6.5	6.8	10.9	6.4
J30JA-21ZKW(-J)	31.1	26.3	7.6	22	17.6	6.5	6.8	10.9	6.4
J30JA-25ZKW(-J)	33.7	28.9	7.6	24.6	20.2	6.5	6.8	10.9	6.4
J30JA-31ZKW(-J)	37.5	32.7	7.6	28.4	24	6.5	6.8	10.9	6.4
J30JA-37ZKW(-J)	41.4	36.6	7.6	32.3	27.8	6.5	6.8	10.9	6.4
J30JA-51ZKW(-J)	40.1	35.3	8.7	31	26.6	7.6	7.9	10.9	6.4
J30JA-66ZKW(-J)	46.5	41.7	8.7	37.4	33	7.6	7.9	10.9	6.4
J30JA-74ZKW(-J)	42.6	37.8	9.7	33.5	29.1	8.7	9.1	10.9	6.4
J30JA-100ZKW(-J)	50.1	45.3	9.7	41	36.6	8.7	9.1	10.9	6.4

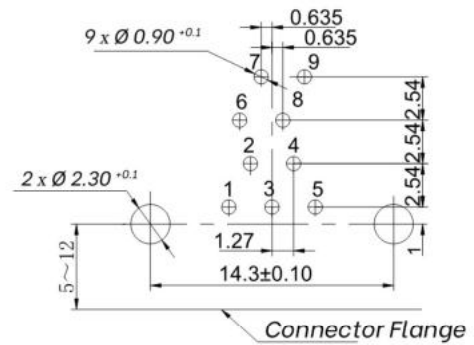
J30J series twisted pin micro rectangular electrical connectors



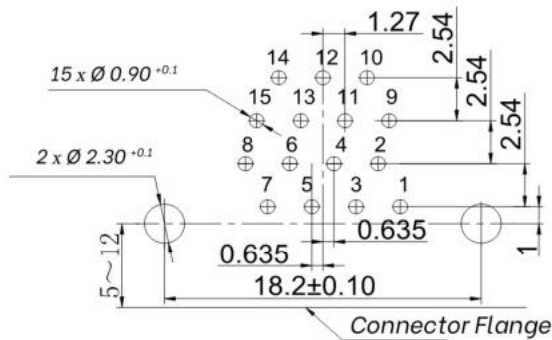
PCB Layouts



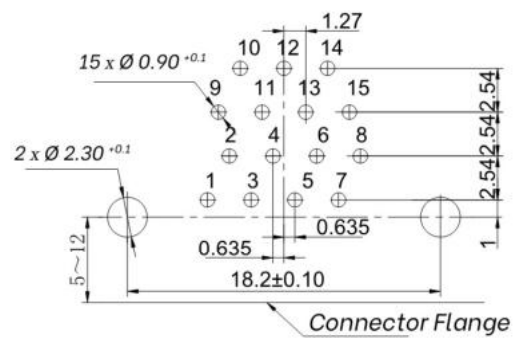
J30J-9TJW



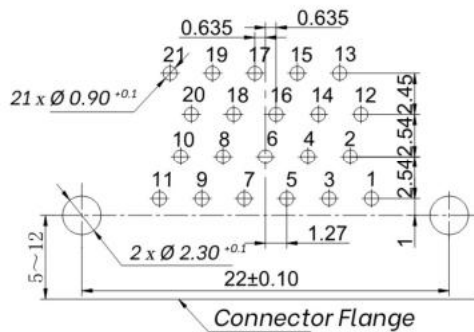
J30J-9ZKW



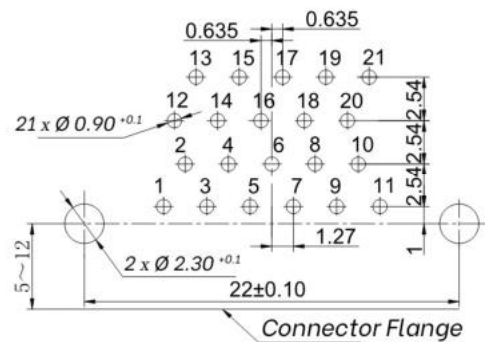
J30J-15TJW



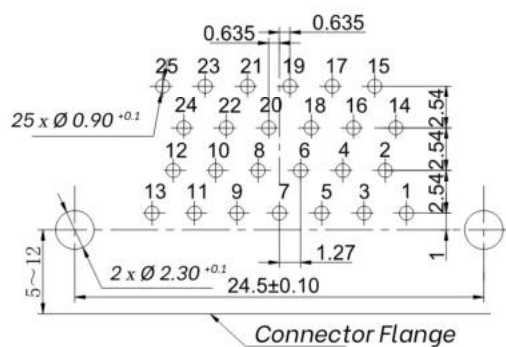
J30J-15ZKW



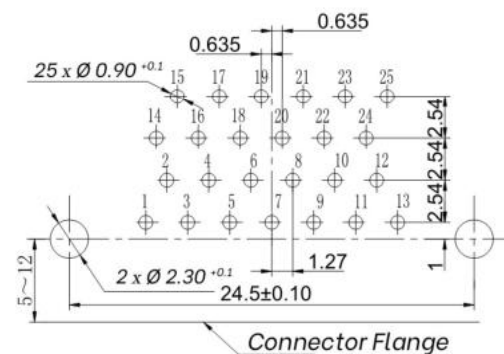
J30J-21TJW



J30J-21ZKW



J30J-25TJW

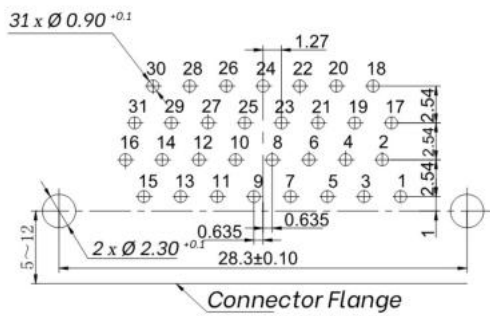


J30J-25ZKW

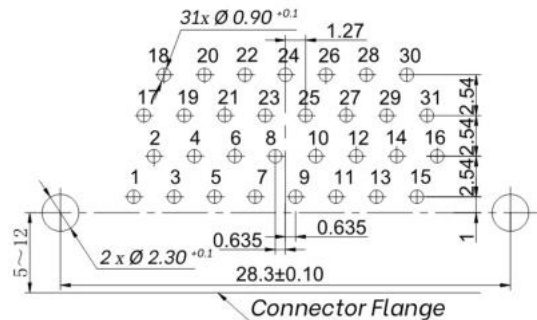


J30J series twisted pin micro rectangular electrical connectors

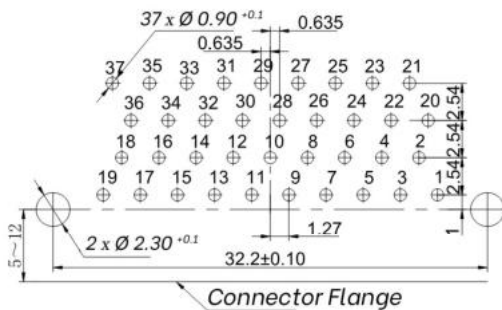
PCB Layouts



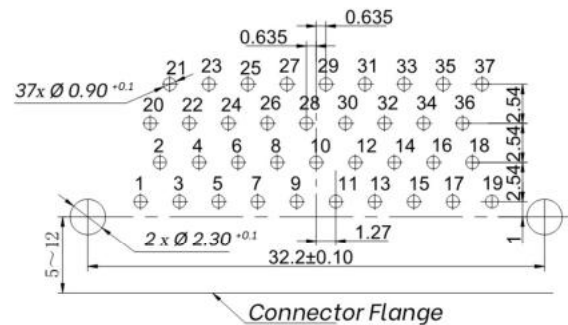
J30J-31TJW



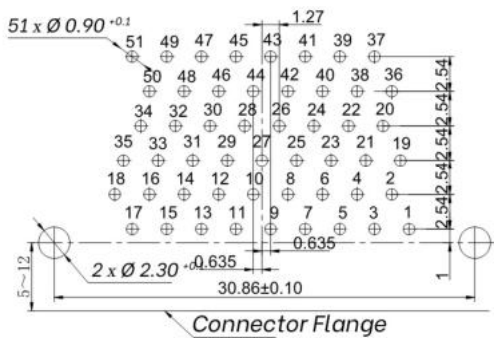
J30J-31ZKW



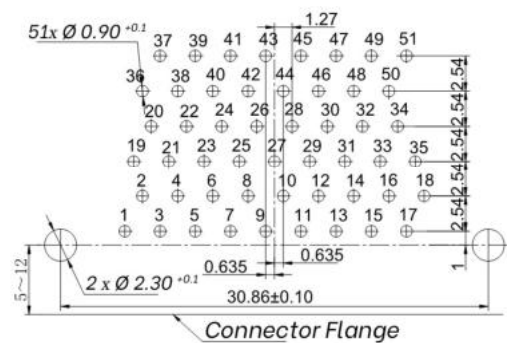
J30J-37TJW



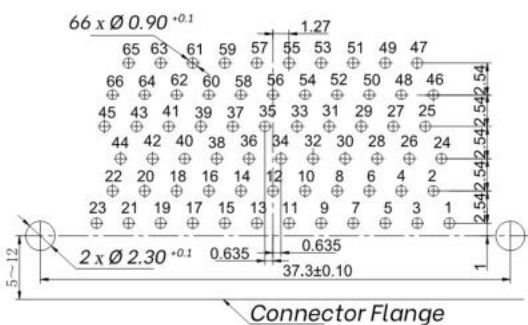
J30J-37ZKW



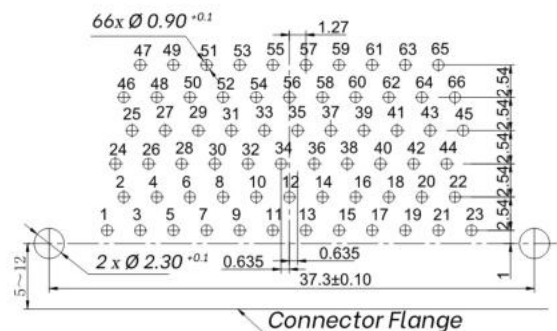
J30J-51TJW



J30J-51ZKW



J30J-66TJW

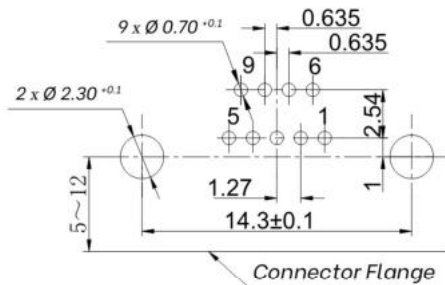


J30J-66ZKW

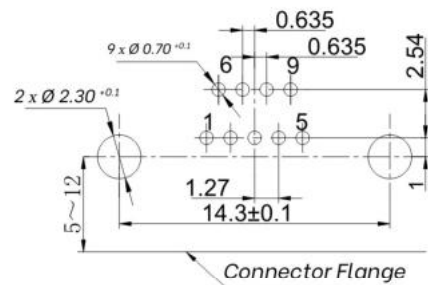
J30J series twisted pin micro rectangular electrical connectors



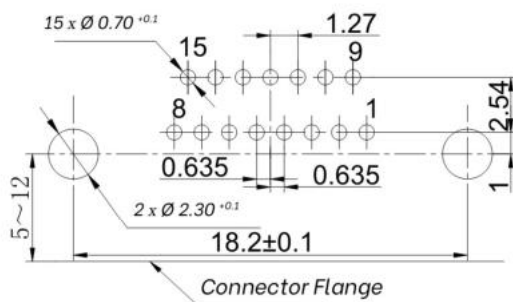
PCB Layouts



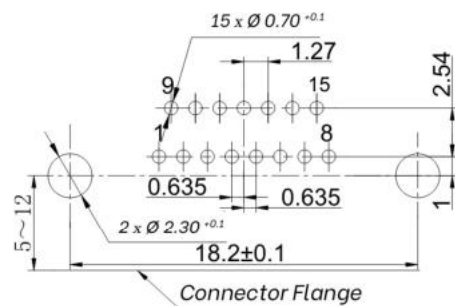
J30J-9TJW-J



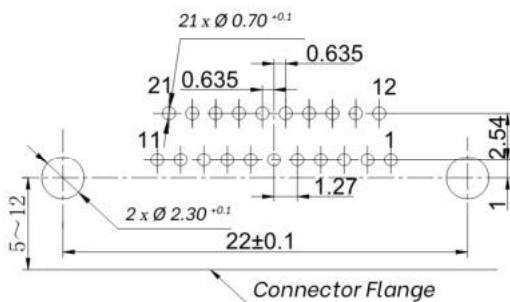
J30J-9ZKW-J



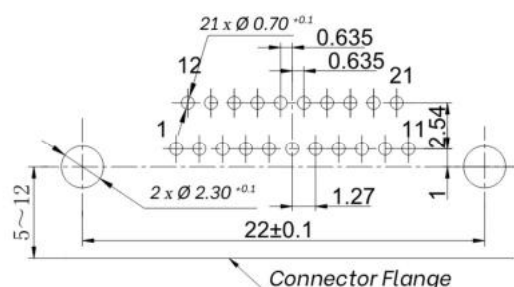
J30J-15TJW-J



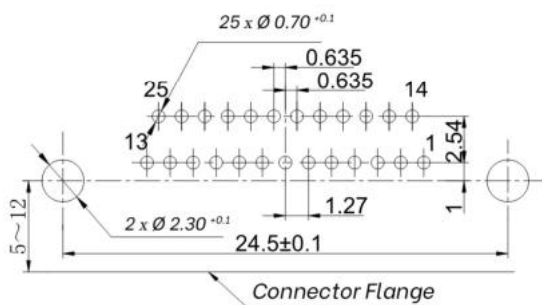
J30J-15ZKW-J



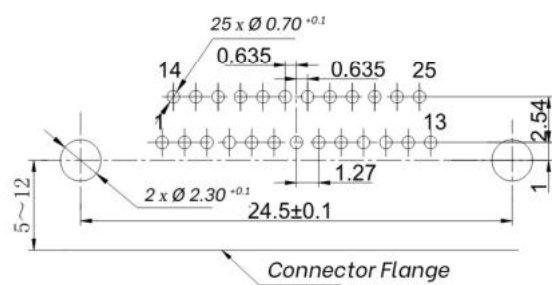
J30J-21TJW-J



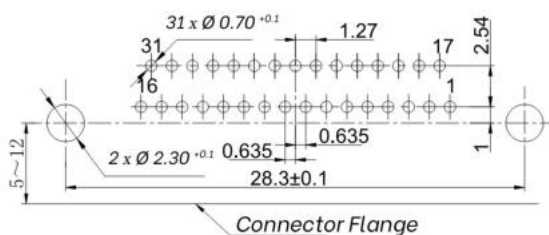
J30J-21ZKW-J



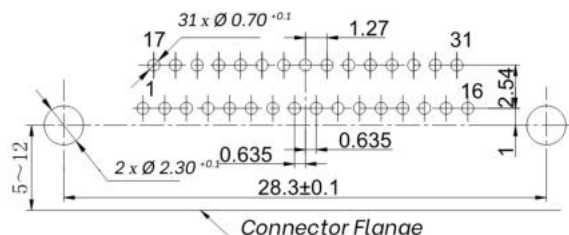
J30J-25TJW-J



J30J-25ZKW-J

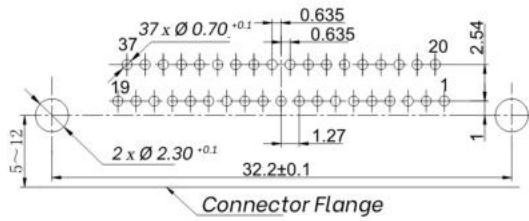


J30J-31TJW-J

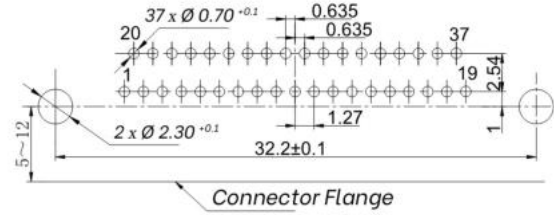


J30J-31ZKW-J

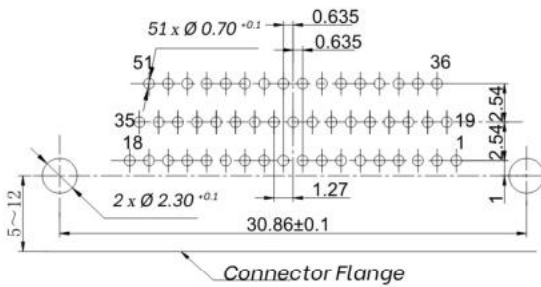
PCB Layouts



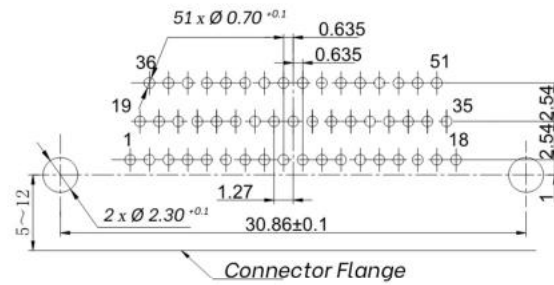
J30J-37TJW-J



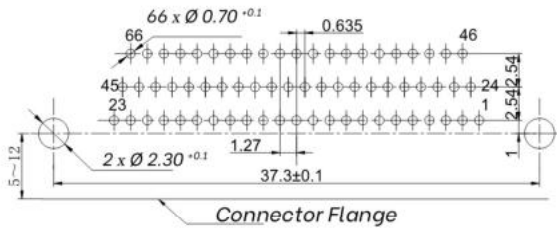
J30J-37ZKW-J



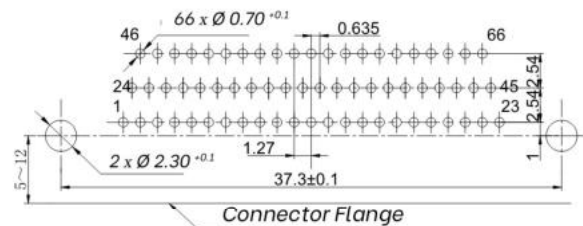
J30J-51TJW-J



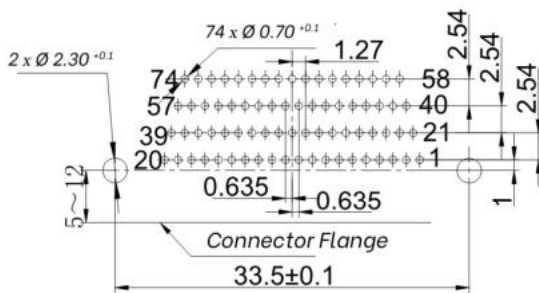
J30J-51ZKW-J



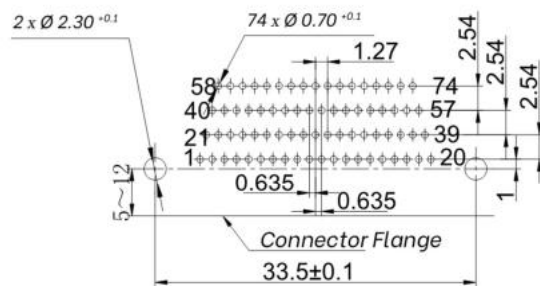
J30J-66TJW-J



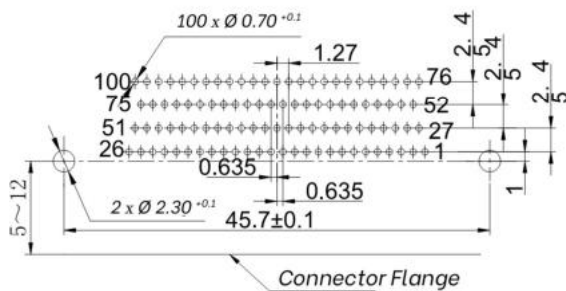
J30J-66ZKW-J



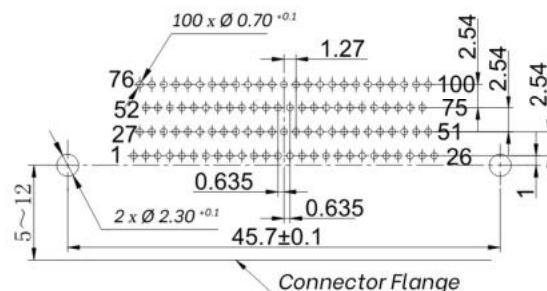
J30J-74TJW-J



J30J-74ZKW-J



J30J-100TJW-J

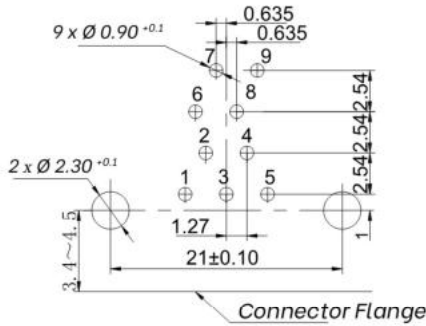


J30J-100ZKW-J

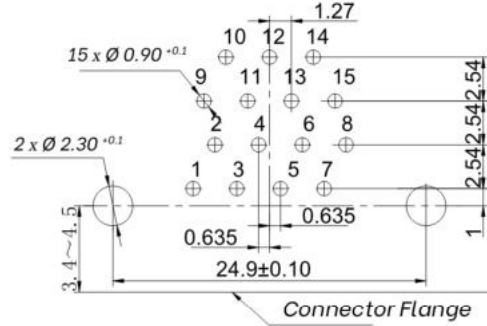
J30J series twisted pin micro rectangular electrical connectors



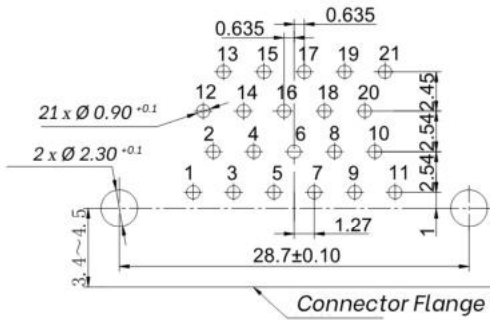
PCB Layouts



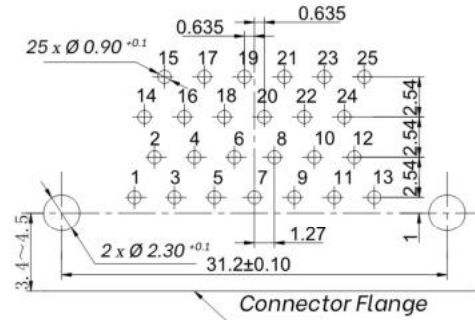
J30JC-9ZKW-Q



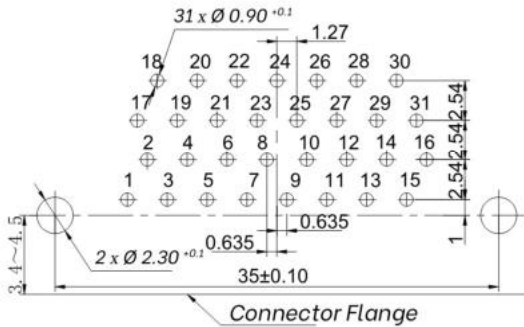
J30JC-15ZKW-Q



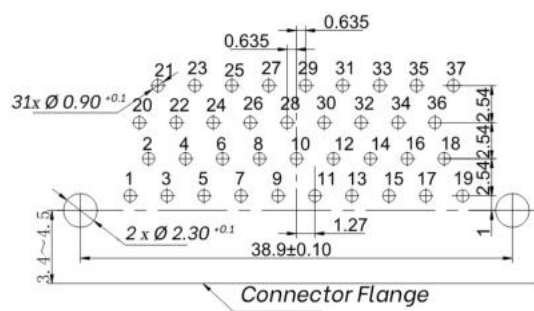
J30JC-21ZKW-Q



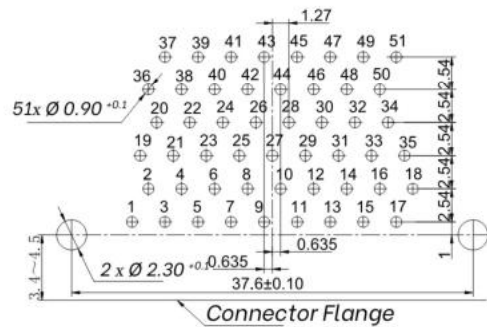
J30JC-25ZKW-Q



J30JC-31ZKW-Q



J30JC-37ZKW-Q

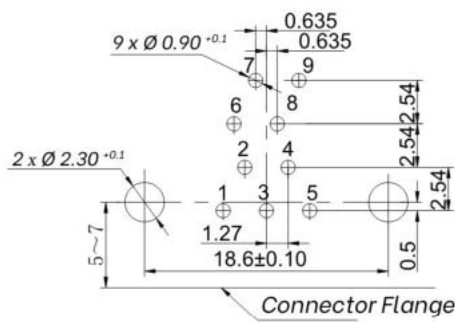


J30JC-51ZKW-Q

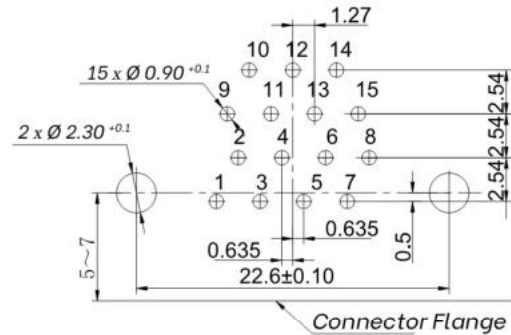


J30J series twisted pin micro rectangular electrical connectors

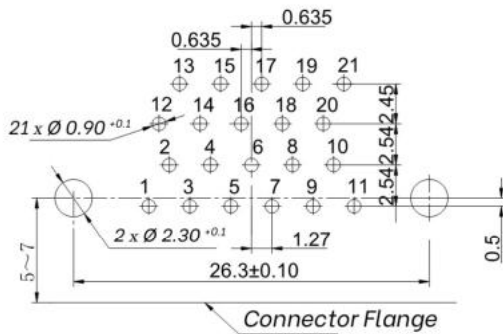
PCB Layouts



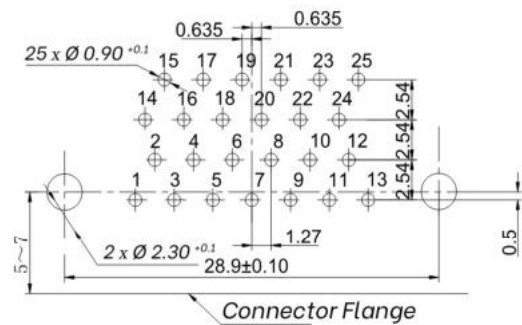
J30JA-9ZKW



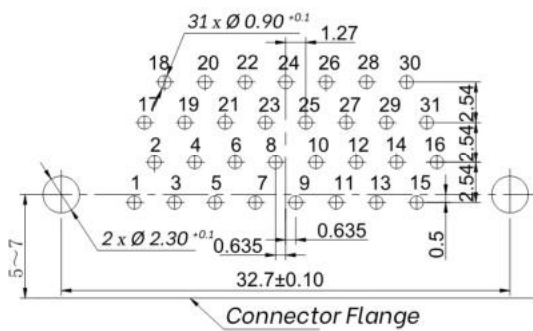
J30JA-15ZKW



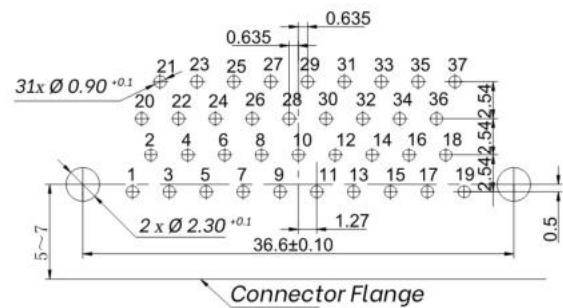
J30JA-21ZKW



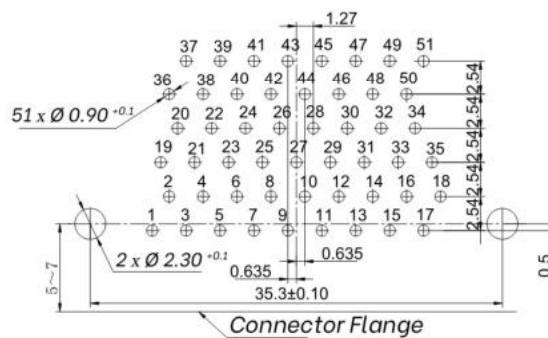
J30JA-25ZKW



J30JA-31ZKW



J30JA-37ZKW

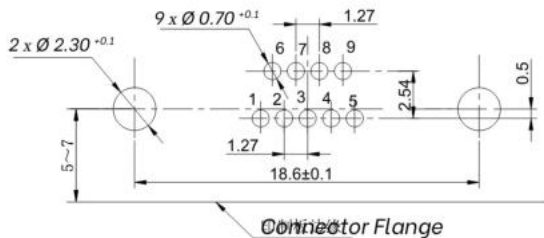


J30JA-51ZKW

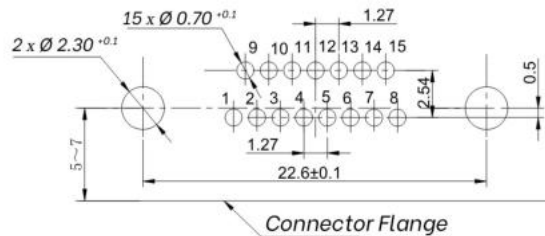
J30J series twisted pin micro rectangular electrical connectors



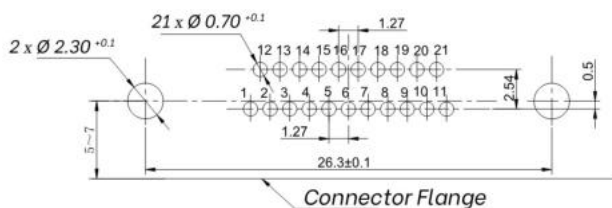
PCB Layouts



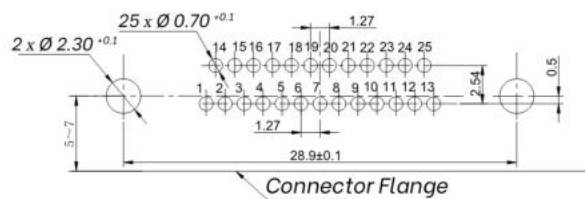
J30JA-9ZKW-J



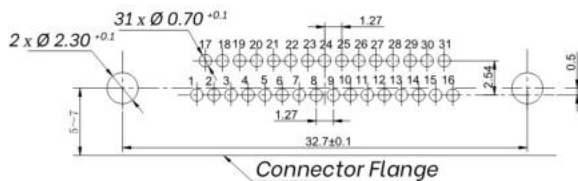
J30JA-15ZKW-J



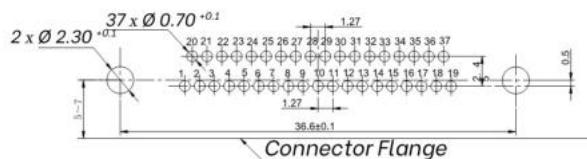
J30JA-21ZKW-J



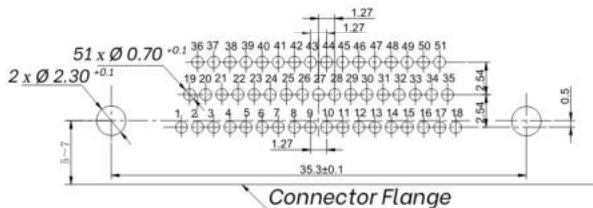
J30JA-25ZKW-J



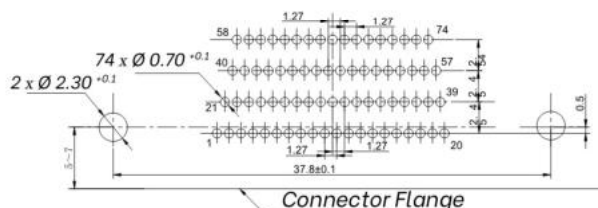
J30JA-31ZKW-J



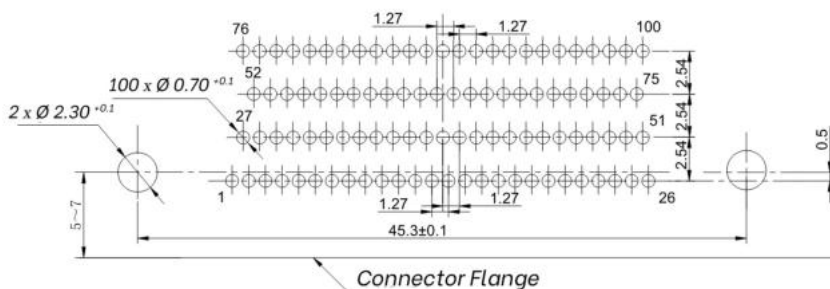
J30JA-37ZKW-J



J30JA-51ZKW-J

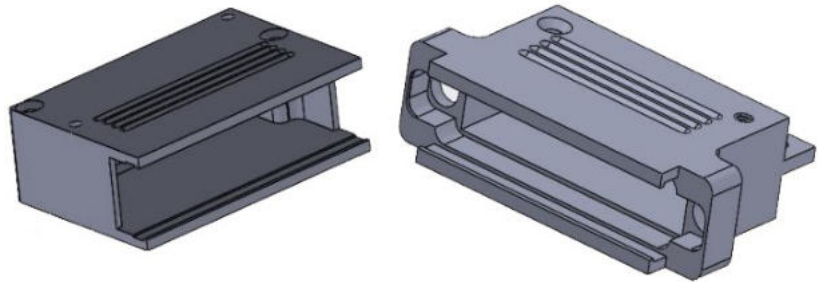


J30JA-74ZKW-J



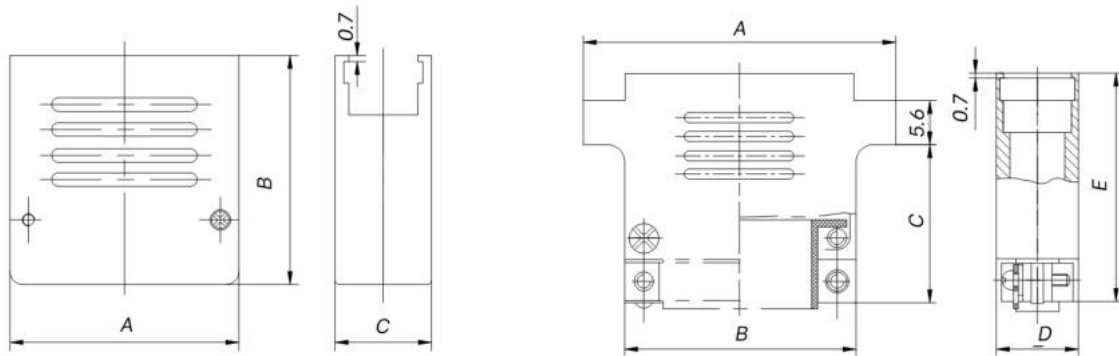
J30JA-100ZKW-J

Backshells



Ordering information

Basic series	J30J	A1
Backshell Type (standard version (aluminum/nickel):		
A1 = straight Backshell		
A3 = straight Backshell with cable clamp		

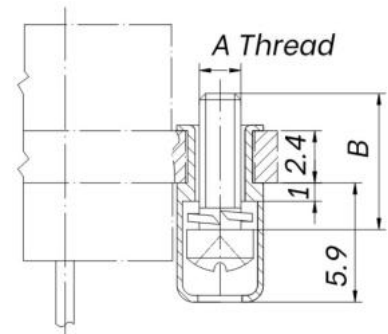


P/N	A	B	C	P/N	A	B	C	D	E
J30JA-9A1	9.9	23.6	10.4	J30JA-9A3	19.6	9.9	18.2	10.4	27
J30JA-15A1	13.8	23.6	10.4	J30JA-15A3	23.5	13.8	18.2	10.4	27
J30JA-21A1	17.6	23.6	10.4	J30JA-21A3	27.4	17.6	19.2	10.4	28
J30JA-25A1	20.2	23.6	10.4	J30JA-25A3	29.8	20.2	19.2	10.4	28
J30JA-31A1	24	23.6	10.4	J30JA-31A3	33.6	24	19.2	10.4	28
J30JA-37A1	27.8	23.6	10.4	J30JA-37A3	37.4	27.8	19.2	10.4	28
J30JA-51A1	26.6	26.6	11.2	J30JA-51A3	36.4	26.6	21.2	11.2	30
J30JA-66A1	33	26.6	11.2	J30JA-66A3	42.9	33	21.2	11.2	30
J30JA-74A1	29.1	30	12.	J30JA-74A3	38.8	29.1	21.2	12.	30
J30JA-100A1	40.7	30	12	J30JA-100A3	54.7	40.7	21.2	12	30

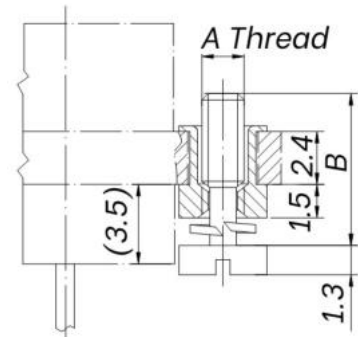
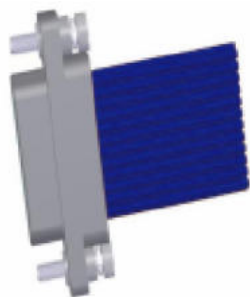
J30J series twisted pin micro rectangular electrical connectors



Hardware Kits



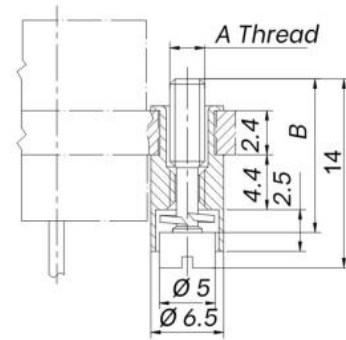
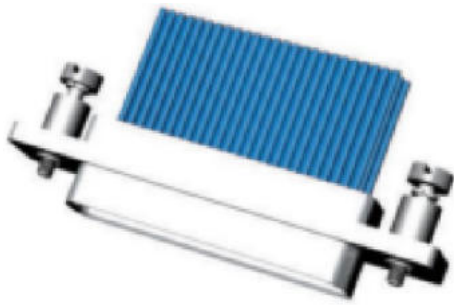
Hardware Type	A Thread	B	Mating Parts (recommended)
L	M2-6h	7.1	P, P0, P2, P3, P4, P5, P7, P8, P9, P10, P11, P14, P15, P17, P23, P25, P27, P29, P30, P32, P35, P36, P37, P40, P41, P42, P43, P45, P46 types
L8	#2-56UNC-2A	7.1	P1 type
Kit	2 Slot Head Jackscrews Non-Removable + 2 lockwashers		



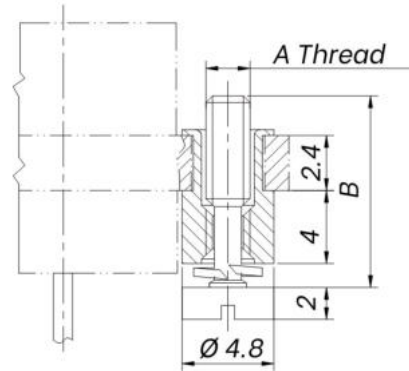
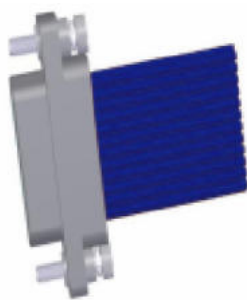
Hardware Type	A Thread	B	Mating Parts (recommended)
L7	M2-6h	7.1	P, P0, P2, P3, P4, P5, P7, P8, P9, P10, P1, P14, P15, P17, P23, P25, P27, P29, P30, P32, P35, P36, P37, P40, P41, P42, P43, P45, P46 types
Kit	2 Slot Head Jackscrews + 2 lockwashers		



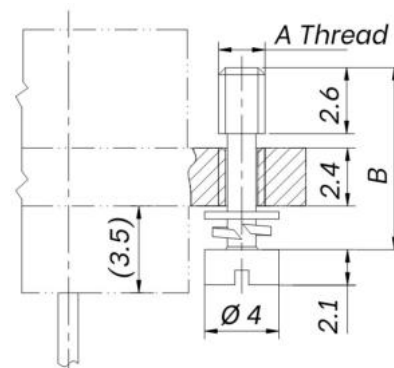
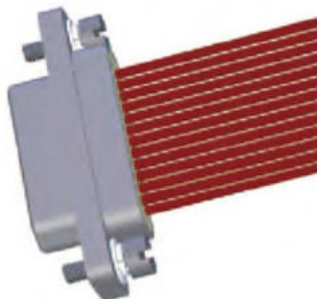
J30J series twisted pin micro rectangular electrical connectors



Hardware Type	A Thread	B	Mating Parts (recommended)
L2	#4-40UNC-2A	12.2	P12, P16 and P34 types
Kit	2 Slot Head Jackscrews + 2 lockwashers NOTE: for J30J-100TJ/ZK only		

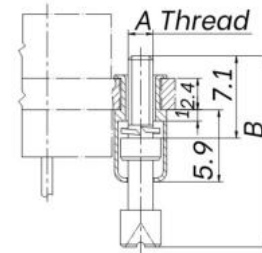
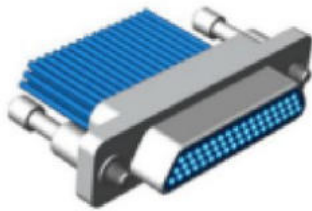


Hardware Type	A Thread	B	Mating Parts (recommended)
L3	#4-40UNC-2A	11.5	P12, P16 and P34 types
Kit	2 Slot Head Jackscrews + 2 lockwashers NOTE: for J30J-100TJ/ZK only		

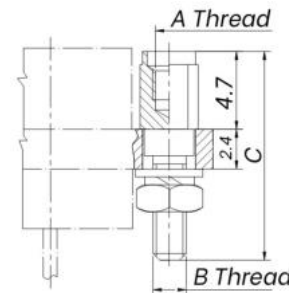
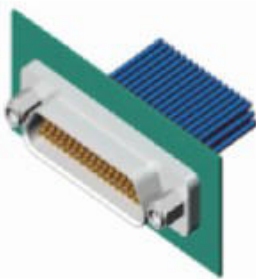


Hardware Type	A Thread	B	Mating Parts (recommended)
L9	M2-6h	6.1	P, P0, P2, P3, P4, P5, P7, P8, 19, P10, P11, P14, P15, P17, P23, P25, P27, P29, P30, P32, P35, P36, P37, P40, P41, P42, P43, P45, P46 types
Kit	2 Slot Head Jackscrews + 2 lockwashers NOTE: for J30JD version only		

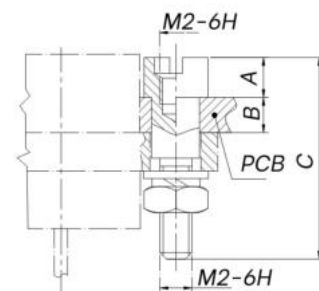
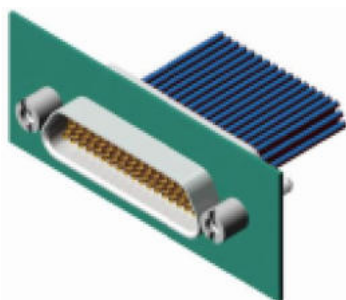
J30J series twisted pin micro rectangular electrical connectors



Hardware Type	A Thread	B	Mating Parts (recommended)
K	M2-6h	17.7	P, P0, P2, P3, P4, P5, P7, P8, P9, P10, P11, P14, P15, P17, P22, P23, P25, P27, P29, P30, P32, P35, P36, P37, P40, P41 Types
K1	#2-56UNC-2A	17.7	P1 Type
Kit	2 Slot Head Jackscrews Non-Removable Extended + 2 lockwashers		



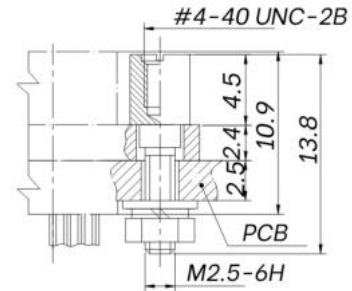
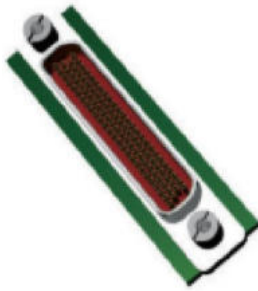
Hardware Type	A Thread	B Thread	C	Mating Parts (recommended)
P	M2-6H1	M2-6h	12.6	L, L7, 19, K Types
P1	#2-56UNC-2B	#2-56UNC-2A	12.6	L8, K1 Types
P8	M2-6H	M2-6h	15.6	L, L7, L9, K Types
P9	M2-6H	M2-6h	21.6	L, L7, L9, K Types
Kit	2 Female Jackpost + 2 nuts + 2 washers + 2 lockwashers			



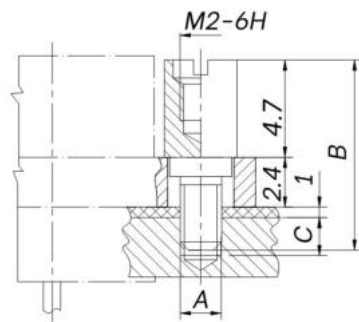
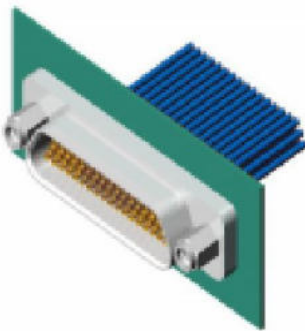
Hardware Type	A	B	C	Mating Parts (recommended)
P0	4.1	0.6	12.6	L, L7, L9, K Types
P3	3.3	1.4	12.6	L, L7, L9, K Types
P4	2.5	2.2	12.6	L, L7, L9, K Types
P11	1.3	3.4	12.6	L, L7, L9, K Types
P45	2.7	2	20	L, L7, L9, K Types
Kit	2 Slot Head Jackscrews + 2 nuts + 2 washers + 2 lockwashers			



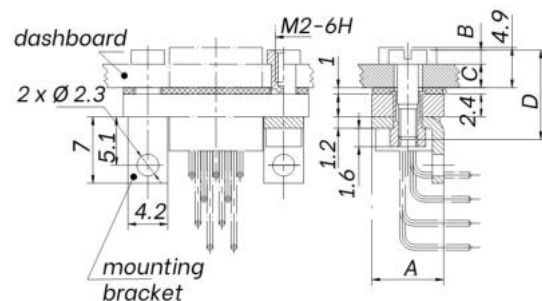
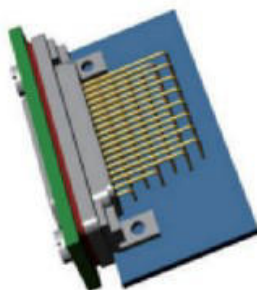
J30J series twisted pin micro rectangular electrical connectors



Hardware Type	Mating Parts (recommended)
P31	L2 and L3 Types
Kit	2 Female Jackpost + 2 nuts + 2 washers + 2 lockwashers NOTE: for J30J-100TJ/ZK only

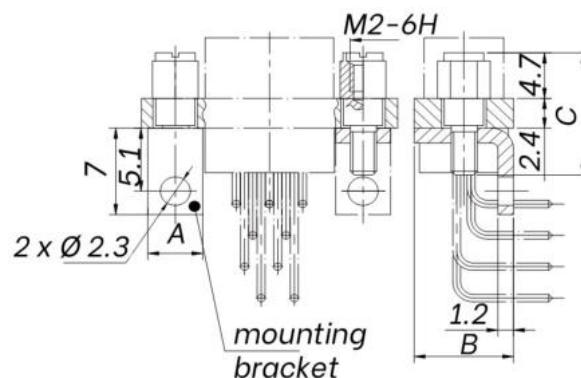


Hardware Type	A Thread	B	C	Mating Parts (recommended)
P29	M3 6h	10.5	3.3 min	L, L7, L9, K Types
P36	M3 6h	14.7	7 min	L, L7, L9, K Types
P37	M2 6h	10	2.8 min	L, L7, L9, K Types
P43	M3 6h	11.7	4 min	L, L7, L9, K Types
Kit	2 Female Jackpost			

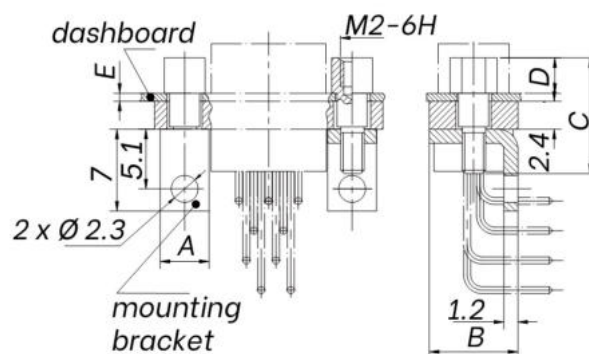
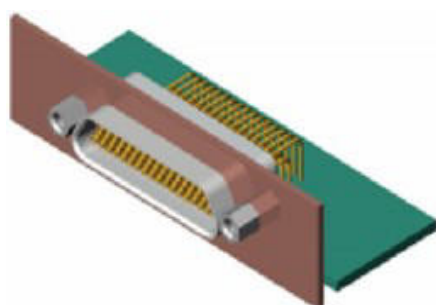


Hardware Type	A	B	C	D
P15 for sizes 9 ~ 37	7.6	1.9	2.5	9.7
P35 for sizes 9 ~ 37	7.6	2.4	1.8	9.5
P15 for sizes 51	8.7	1.9	2.5	9.7
P35 for sizes 51	8.7	2.4	1.8	9.5
Kit	2 Female Jackpost + 2 mounting bracket			

J30J series twisted pin micro rectangular electrical connectors



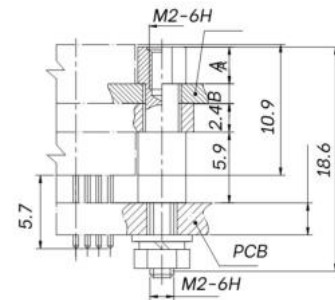
Hardware Type	A	B	C	Mating Parts (recommended)
P7 for sizes 9 ~ 37	4.2	7.6	10.7	L, L7, L9, K Types
P42 for sizes 9 ~ 37	4.2	7.6	9.7	L, L7, L9, K Types
P7 for sizes 51, 66	4.2	8.7	10.7	L, L7, L9, K Types
P42 for sizes 51,66	4.2	8.7	9.7	L, L7, L9, K Types
P7 for sizes 74	4.2	9.7	10.7	L, L7, L9, K Types
P42 for sizes 74	4.2	9.7	9.7	L, L7, L9, K Types
P7 for sizes 100	8.8	9.7	10.7	L, L7, L9, K Types
P42 for sizes 100	8.8	9.7	9.7	L, L7, L9, K Types
Kit	2 Female Jackpost + 2 mounting bracket			



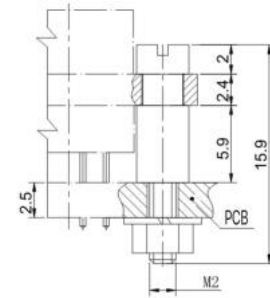
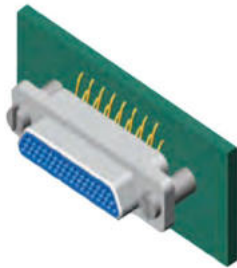
Hardware Type	A	B	C	D	E	Mating Parts (recommended)
P2 for sizes 9 ~ 37	4.2	7.6	11.6	3.7	1	L, L7, L9, K Types
P14 for sizes 9 ~ 37	4.2	7.6	10.7	1.7	3	L, L7, L9, K Types
P2 for sizes 51, 66	4.2	8.7	11.6	3.7	1	L, L7, L9, K Types
P14 for sizes 51,66	4.2	8.7	10.7	1.7	3	L, L7, L9, K Types
P2 for sizes 74	4.2	9.7	11.6	3.7	1	L, L7, L9, K Types
P14 for sizes 74	4.2	9.7	10.7	1.7	3	L, L7, L9, K Types
P2 for sizes 100	8.8	9.7	11.6	3.7	1	L, L7, L9, K Types
P14 for sizes 100	8.8	9.7	10.7	1.7	3	L, L7, L9, K Types
Kit	2 Female Jackpost + 2 mounting bracket					



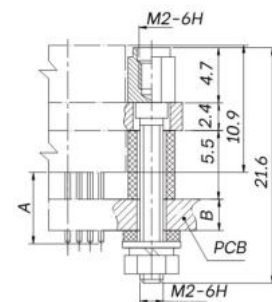
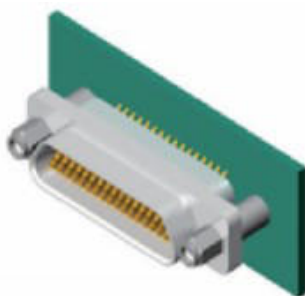
J30J series twisted pin micro rectangular electrical connectors



Hardware Type	A	B	Mating Parts (recommended)
P32	2.7	2	L, L7, L9, K types
P41	3.2	1.5	L, L7, 19, K types
Kit	2 Female Jackpost + 2 washers + 2 lockwashers+ 2 support sleeves		

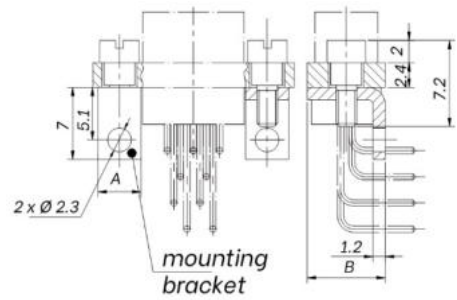
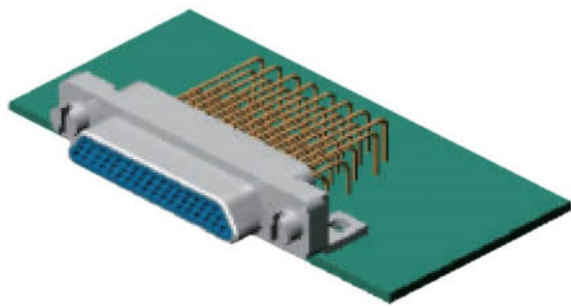


Hardware Type	Kit
V	2 Jackscrews + 2 lockwashers+ 2 support sleeves NOTE: for Vertical Mount PCB Connectors

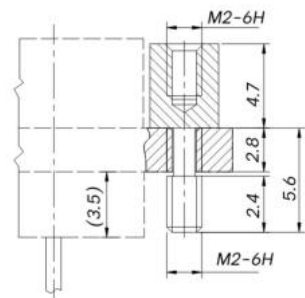


Hardware Type	A	B thickness	Mating Parts (recommended)
P17 NOTE: for J30J-9 ~ 51TJN/ZKN, for J30J-9 ~ 100TJN/ZKN-J	5.7	1.6 ~ 3	L, L7, L9, K types
P17 NOTE: for J30J-9 ~ 51TJN4/ZKN4, for J30J-9 ~ 100ZKN4-J	7.2	1.6 ~ 4.5	L, L7, 19, K types
Kit	2 Female Jackpost + 2 washers + 2 lockwashers+ 2 support sleeves		

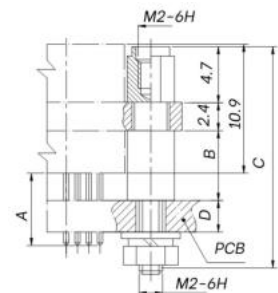
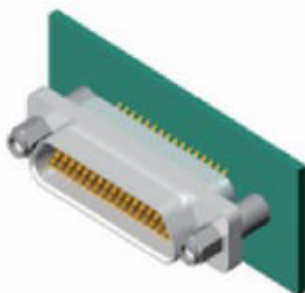
J30J series twisted pin micro rectangular electrical connectors



Hardware Type	A	B
V1 for sizes 9 ~ 37	4.2	7.6
V1 for sizes 51, 66	4.2	8.7
V1 for sizes 74	4.2	9.7
V1 for sizes 100	8.8	9.7
Kit	2 Female Jackpost + 2 mounting bracket	



Hardware Type	Mating Parts (recommended)
P46	L, L7, L9, K types
Kit	2 Female Jackpost NOTE: for J30JD version only

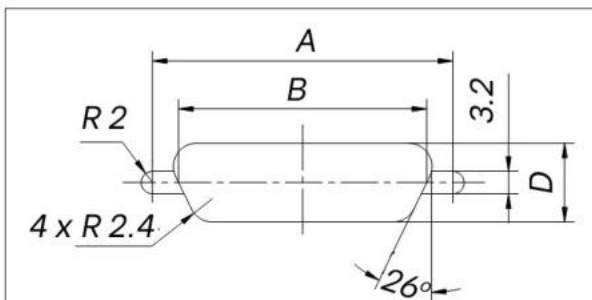
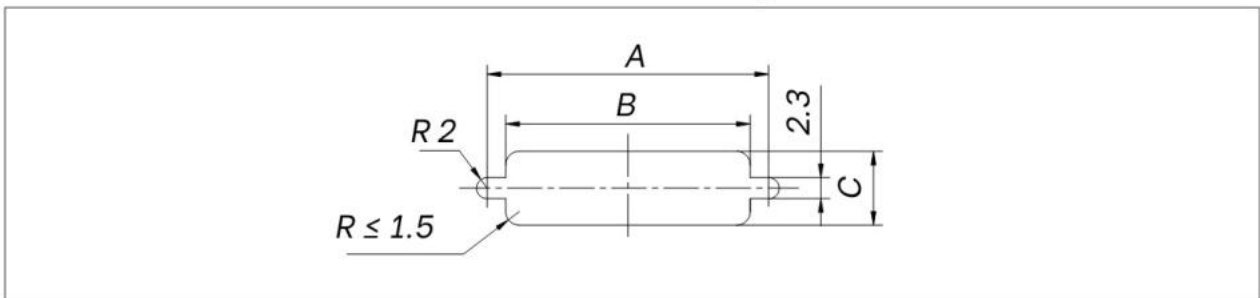


Hardware Type	A	B	C	D thickness	Mating Parts (recommended)
P5	5.7	5.9	18.6	1.6 ~ 2.5	L, L7, L9, K types
P10	8	8.4	20.5	1.6 ~ 2.5	
P25	5.7	5.9	20.5	1.6 ~ 2.5	
	8	5.9	20.5	1.6 ~ 4.8	
P23	5.7	5.9	17.8	1.6	
Kit	2 Female Jackpost + 2 nuts + 2 washers + 2 lockwashers NOTE: for J30J-9 ~ 51TJN/ZKN, J30J-9 ~ 100TJN/ZKN-J only				

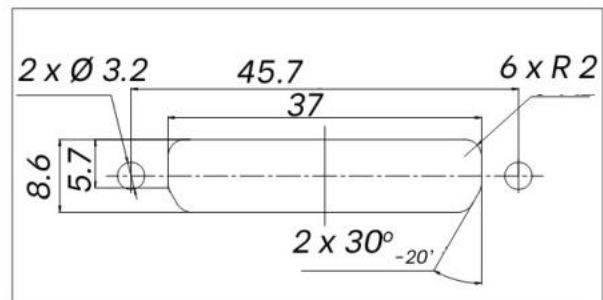
Panel Mount Cutouts

Mounting cutout dimensions for J30J-TJ/ZK, J30J-TJ/ZK-D, J30JC-TJ/ZK, J30JM-ZK, J30JM-ZKS, J30JM1-ZKS

Front mounting



Rear mounting for sizes 9 - 74



Rear mounting for sizes 100

Size	A	B	C	D	Size	A	B	C	D
9	14.3	10.2	7	6.3	37	32.2	28.1	7	6.3
15	18.2	14.1	7	6.3	51	30.86	26.9	8.1	7.4
21	22	17.9	7	6.3	66	37.3	33.4	8.1	7.4
25	24.5	20.5	7	6.3	74	33.5	29.4	9.3	8.6
31	28.3	24.3	7	6.3	100	45.7	37	9.3	8.6

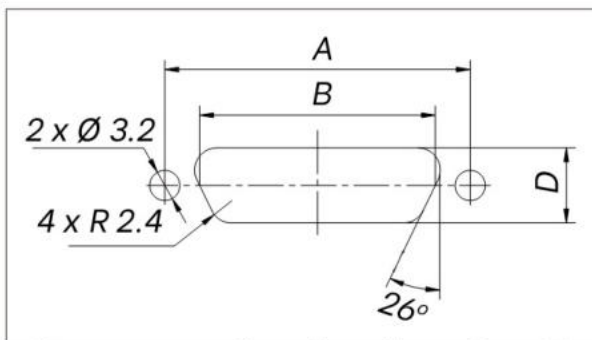
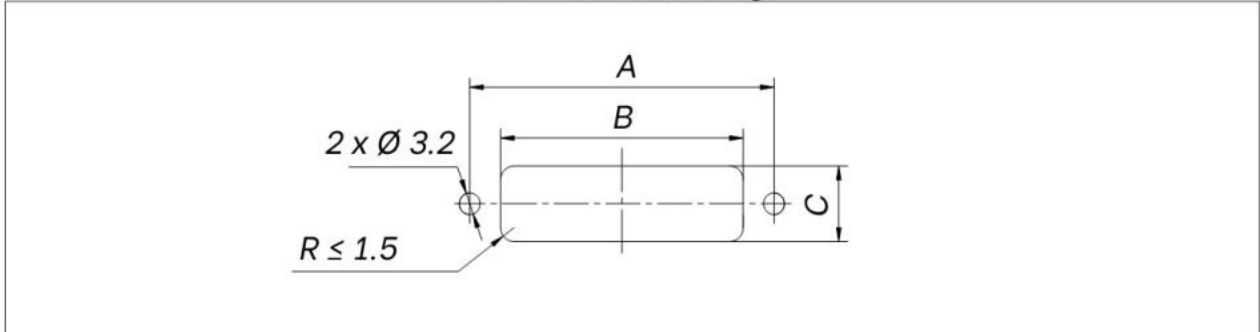
Note: Since J30JM-ZK, J30JM-ZKS, J30JM1-ZK are all sealed products, although the mounting plate openings can achieve product installation as shown above, it may be lost due to the through plate. To this end, these products should be installed in the form of blind threaded holes for mounting plate openings in front of the board.

J30J series twisted pin micro rectangular electrical connectors

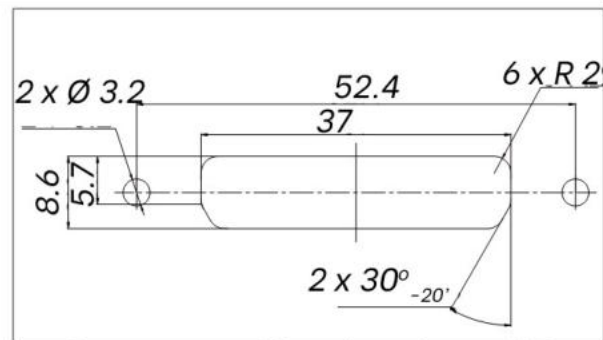


Mounting cutout dimensions for J30J-TJ/ZK-Q, J30JC-TJ/ZK-Q

Front mounting



Rear mounting for sizes 9 - 74

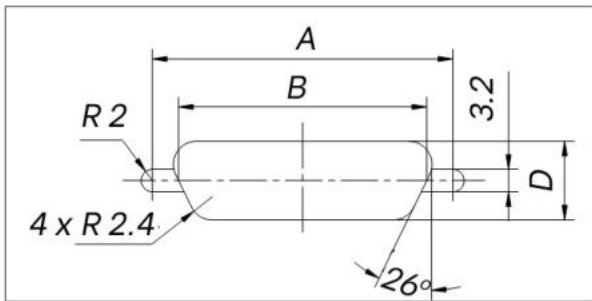
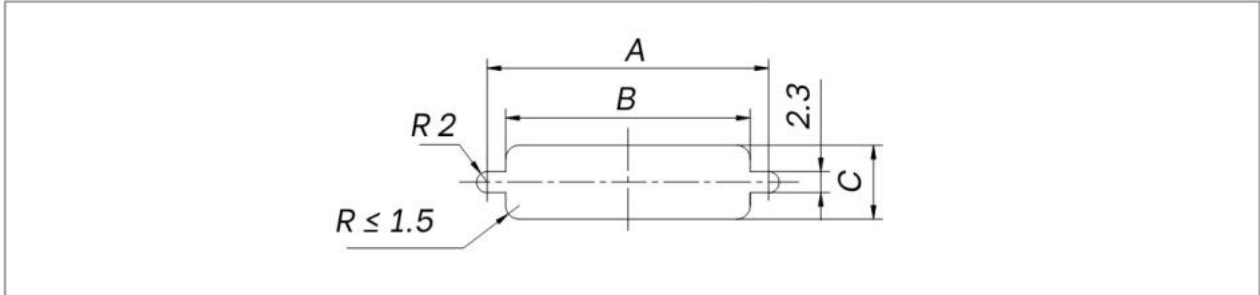


Rear mounting for sizes 100

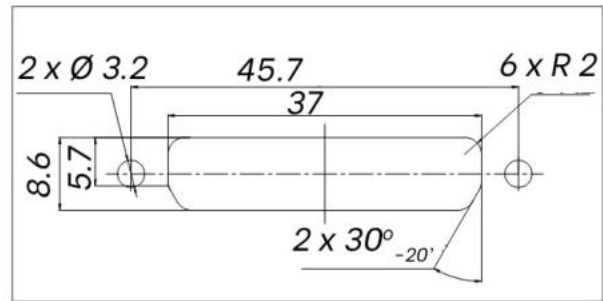
Size	A	B	C	D	Size	A	B	C	D
9	21	10.2	7	6.3	37	38.9	28.1	7	6.3
15	24.9	14.1	7	6.3	51	37.6	26.9	8.1	7.4
21	28.7	17.9	7	6.3	66	44	33.4	8.1	7.4
25	31.2	20.5	7	6.3	74	40.2	29.4	9.3	8.6
31	35	24.3	7	6.3	100	52.4	37	9.3	8.6

Mounting cutout dimensions for J30J-TJ/ZK-A, J30J-TJ/ZK-AD

Front mounting



Rear mounting for sizes 9 - 74



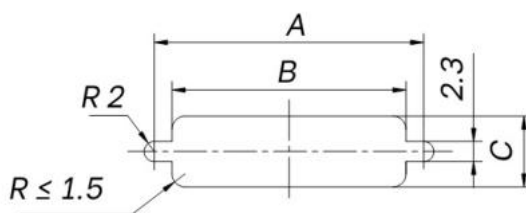
Rear mounting for sizes 100

Size	A	B	C	D	Size	A	B	C	D
9	14.3	10.2	8.2	6.3	37	32.2	28.1	8.2	6.3
15	18.2	14.1	8.2	6.3	51	30.86	26.9	9.2	7.4
21	22	17.9	8.2	6.3	66	37.3	33.4	9.2	7.4
25	24.5	20.5	8.2	6.3	74	33.5	29.4	11.2	8.6
31	28.3	24.3	8.2	6.3	100	45.7	37	11.2	8.6

J30J series twisted pin micro rectangular electrical connectors



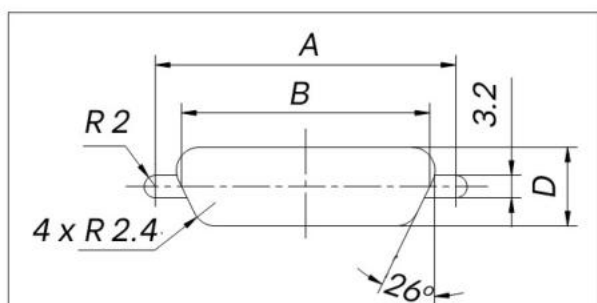
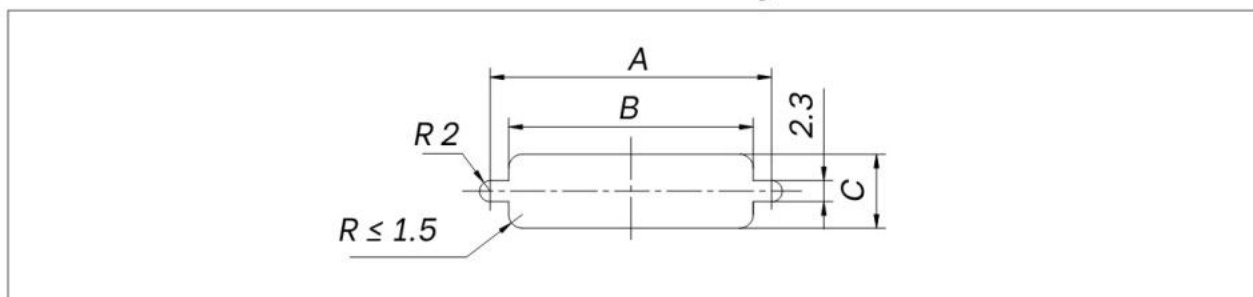
Mounting cutout dimensions for J30JA-ZK. Front mounting



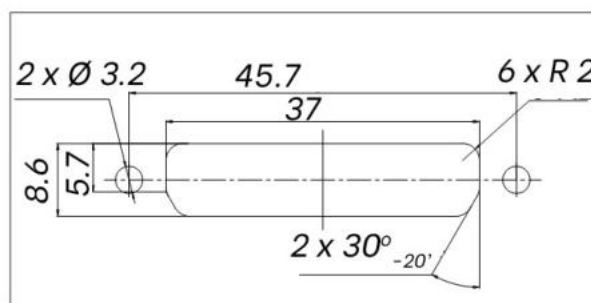
Size	A	B	C	Size	A	B	C
9	18.6	10.2	7	37	36.6	28.1	7
15	22.6	14.1	7	51	35.3	26.9	8.1
21	26.3	17.9	7	66	41.7	33.5	8.1
25	28.9	20.5	7	74	37.8	29.4	9.3
31	32.7	24.3	7	100	45.3	37	9.3

Mounting cutout dimensions for J30J-TJ/ZK-A, J30J-TJ/ZK-AD

Front mounting



Rear mounting for sizes 9 - 74

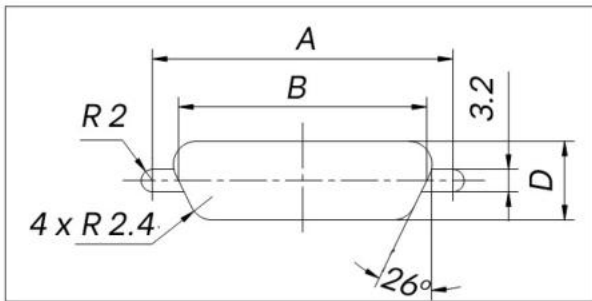
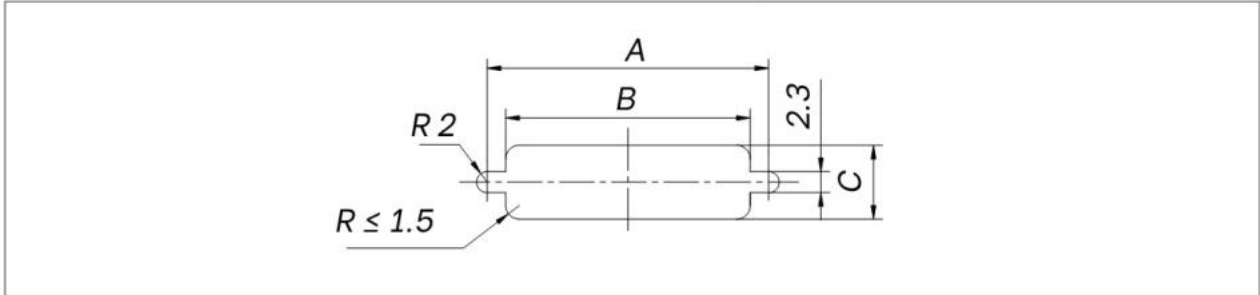


Rear mounting for sizes 100

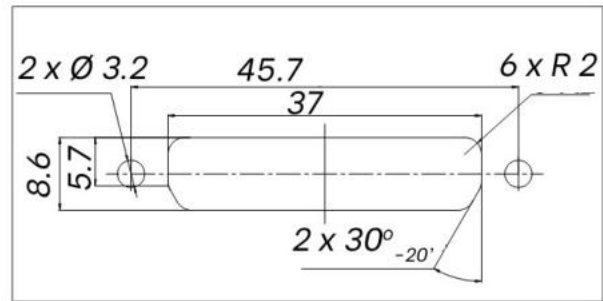
Size	A	B	C	D	Size	A	B	C	D
9	14.3	10.2	8.2	6.3	37	32.2	28.1	8.2	6.3
15	18.2	14.1	8.2	6.3	51	30.86	26.9	9.2	7.4
21	22	17.9	8.2	6.3	66	37.3	33.4	9.2	7.4
25	24.5	20.5	8.2	6.3	74	33.5	29.4	11.2	8.6
31	28.3	24.3	8.2	6.3	100	45.7	37	11.2	8.6

Mounting cutout dimensions for J30J-TJ/ZK-C

Front mounting



Rear mounting for sizes 9 - 74



Rear mounting for sizes 100

Size	A	B	C	D	Size	A	B	C	D
9	14.3	10.2	8.2	6.3	37	32.2	28.1	8.2	6.3
15	18.2	14.1	8.2	6.3	51	30.86	26.9	9.2	7.4
21	22	17.9	8.2	6.3	66	37.3	33.4	9.2	7.4
25	24.5	20.5	8.2	6.3	74	33.5	29.4	11.2	8.6
31	28.3	24.3	8.2	6.3	100	45.7	37	11.2	8.6

CÔNG TY TNHH RỒNG VÀNG TECHNOLOGY

**Địa chỉ: 48/5 Phong Chau str,
Nam Nha Trang Ward,**

Khanh Hoa Province, Vietnam, 57123

Sđt: +84 79.219.2707

www.rong-vang-technology.vn

www.rong-vang-technology.vn