



**RỒNG VÀNG
TECHNOLOGY**



Ultra-Small Electrical Connector

PC Series

extended model range

substitutes of Russian RS

www.rong-vang-technology.vn



Description

Connectors of PC & PCM type (extended model range) intended for use in DC, AC (frequency up to 3 MHz) and pulse currents (pulse period up 1 to 60 sec)

Connectors of PC type consist of hermetic (Receptacles only) or non-hermetic (standard Plugs and Receptacles)

Coupling type:

- Connectors PC & PCM – thread
- Connectors PC-G & PCM-G – plug-in

Contacts: \varnothing 1 mm, non-removable, for soldering wires

Connectors of PC type are manufactured with or without backshell

Contact plating in PC-A is gold, In PC is silver

These connectors are manufactured for inner mounting for all climates in accordance with the technical conditions AVO.364.047TU





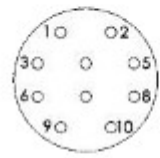
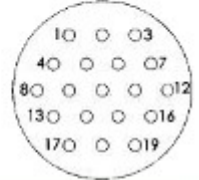
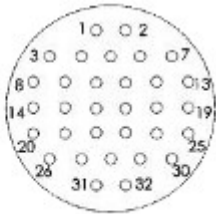
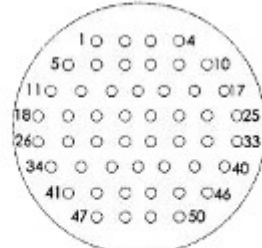
Technical features

Description	Values
Shell material	aluminum
Contact material	copper alloy
Operating temperature	up -60°C to +85°C (maximum 105°C)
Vibration	up to 2500 HZ, PC – 15 g, PCM – 18 g
Impact	PC – 500 g once and 50 g multiple times; PCM – 150g once and 100 g multiple times
1 bar differential pressure, leakage	≤ 0.3 l/h
Max current rating per contact	4 A
Max current per the whole connector	up to 75 A (50 contacts)
Working voltage	200 V
Dielectric withstanding voltage	1000 V
Contact resistance	≤ 5 mΩ
Insulation resistance	≥ 1000 MΩ
Durability	250 cycles
Technical conditions	AVO.364.047TU
Technical specification	3E0 204 062JT

Ordering information

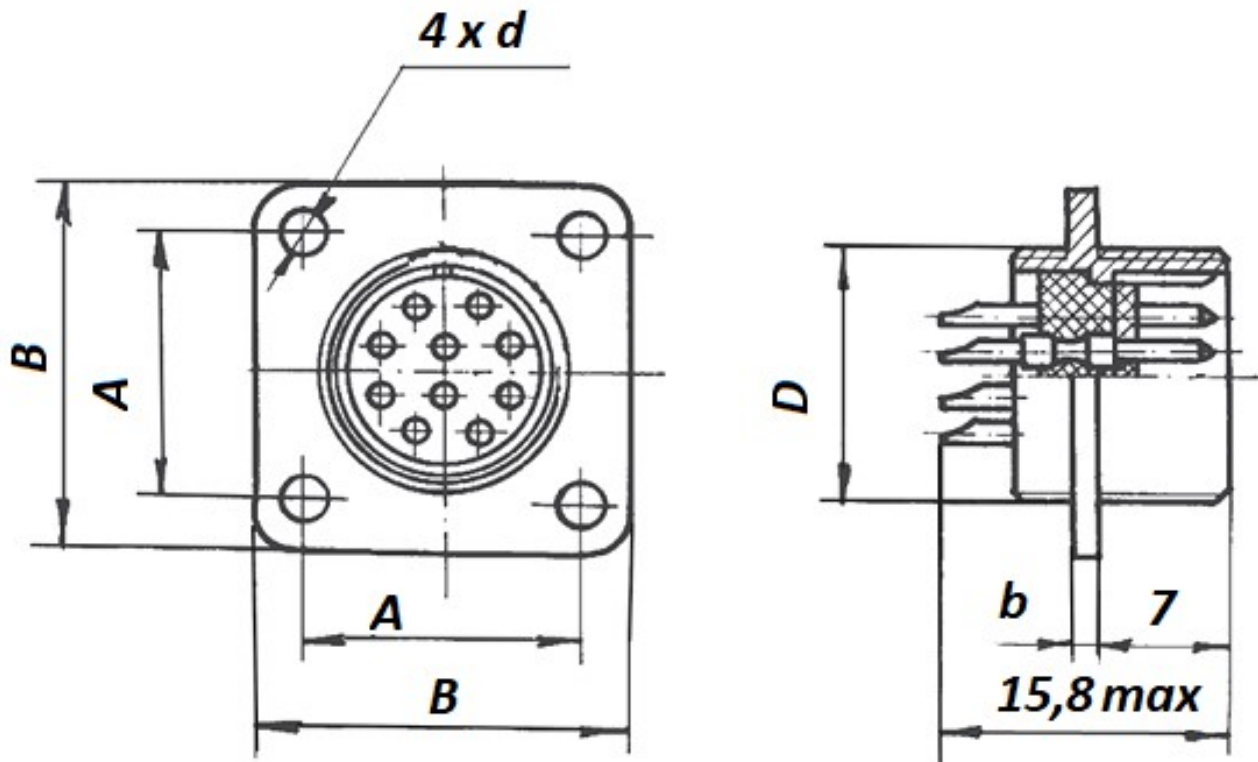
Basic series	PC	A	4	A	J	WF	TB
Sealing Level:							
Omit: unsealed (standard Plug and Receptacle)							
M: hermetically sealed (Receptacle only)							
Connector Type:							
Omit: Plug							
A: Receptacle							
Number of contacts: 4, 7, 10, 19, 32, 50							
Coupling type:							
Omit: threaded							
G: plug-in							
Contact plating:							
Omit: Silver							
A: Gold							
Contact Type:							
J: Pin for Receptacle, only							
K: Socket for Plug, only							
Backshell Type:							
Omit: without backshell							
WF: with backshell							
All weather (Obligatory suffix)							

Contact layouts

Number of contacts	4	7	10	19
Shell size	10	12	14	18
				
Number of contacts	32		50	
Shell size	22		27	
				

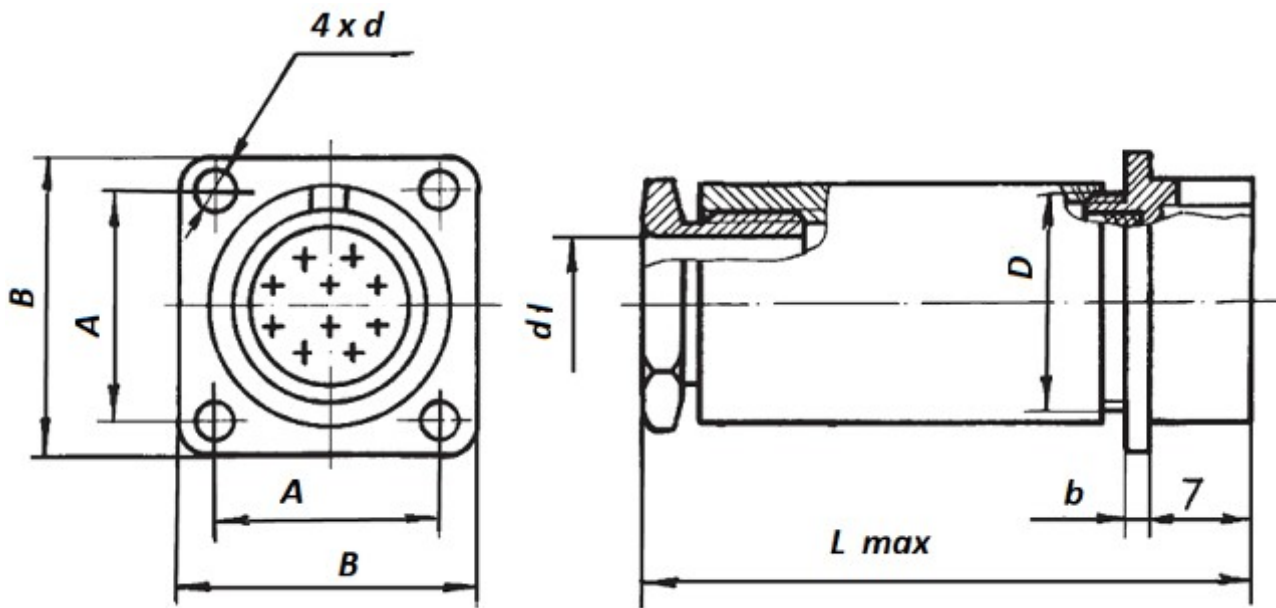
Dimensions

Receptacles, PC & PCM type (without backshell)



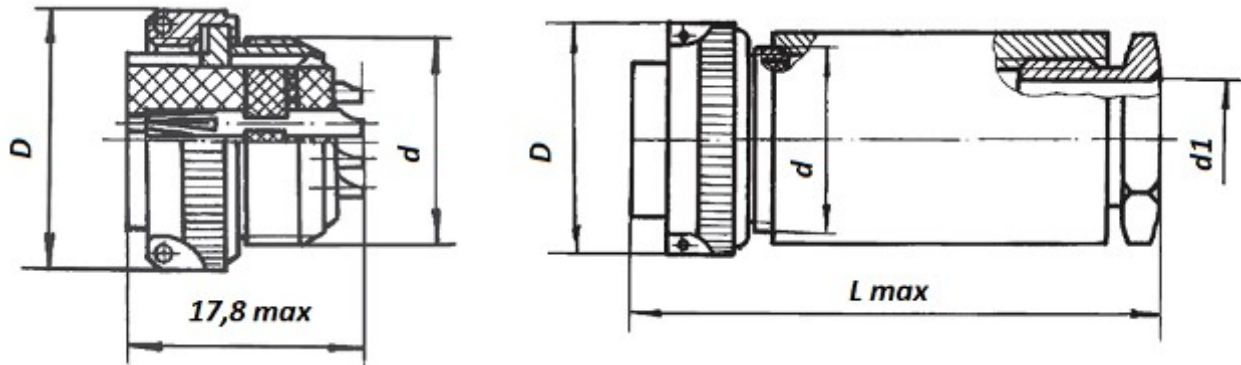
Shell size	D	d	A	B	b
10	M10x0,75	2,2	11,8	16,5	1,4
12	M12x0,75	2,2	13,2	18	1,4
14	M14x0,75	2,2	15	20	1,4
18	M18x0,75	2,2	18	24	1,4
22	M22x0,75	2,7	21,5	28	1,8
27	M27x0,75	3,2	26	33	2

Receptacles, PC-WF & PCM-WF type (with backshell)



Shell size	D	d	d1	A	B	b	L, max
10	M10x0,75	2,2	6	11,8	16,5	1,4	36
12	M12x0,75	2,2	8	13,2	18	1,4	38
14	M14x0,75	2,2	9	15	20	1,4	41
18	M18x0,75	2,2	11	18	24	1,4	43
22	M22x0,75	2,7	13	21,5	28	1,8	45
27	M27x0,75	3,2	16	26	33	2	48

Plugs, PC type (without backshell) & PC-WF type (with backshell)



Shell size	D	d	d1	L, max
10	14	M10x0,75	6	36
12	16	M12x0,75	8	38
14	18	M14x0,75	9	41
18	22,5	M18x0,75	11	43
22	26,5	M22x0,75	13	45
27	31,5	M27x0,75	16	48

CÔNG TY TNHH RỒNG VÀNG TECHNOLOGY

**Địa chỉ: 48/5 Vĩnh Xuân, Phường Vĩnh thái,
Thành Phố Nha Trang, Tỉnh Khánh Hòa**

SĐT: +84 79.219.2707

www.rong-vang-technology.vn

www.rong-vang-technology.vn