



RỒNG VÀNG
TECHNOLOGY



High-Speed Contacts For Use In Connectors MIL-DTL-38999

www.rong-vang-technology.vn

Coaxial Contacts & Coaxial Cables

Coax size 12 & 16 Contacts:

Typical VSWR: 1.5:1 maximum up to 700 MHz and 500 MHz respectively, for properly cabled size 12 and 16 coaxial contacts in the M38999 Series I, II and III

Insulation Resistance: 5,000 MOhm minimum at 25°C

Dielectric Withstanding Voltage:

- Size 12: 1,000 VAC rms at sea level, 250 VAC rms at 15 km
- Size 16: 800 VAC rms at sea level, 250 VAC rms at 15 km



Coax size 8 Contacts:

Typical VSWR when terminated to specified 50 ohm cable: 1.5:1 maximum up to 3 GHz

Insulation Resistance: 5,000 MOhm minimum at 25°C

Dielectric Withstanding Voltage: 1,300 VAC rms at sea level, 250 VAC rms at 15 km

For Use In Connectors MIL-DTL-38999, series II

Coaxial Contacts # 16 (Crimp)

Part Number	Contact type	Cable Accommodation
ALL122-564	Pin	RG-178B/U, RG-196A/U
ALL121-564	Socket	
ALL122-563	Pin	AA3248, RG-161/U, RG-174A/U, RG-179B/U, RG-187A/U, RG-188A/U, RG-316/U, Haveg 8100207, Raychem 7528H1424, Teledyne 11299
ALL121-563	Socket	
ALL122-562	Pin	Haveg 30-00761, 30-02024, Haveg 30-02033
ALL121-562	Socket	Tensolite 24713/A955KK1, Tensolite 26723/ A955KK1
ALL122-561	Pin	Haveg 61-02051
ALL121-561	Socket	

Coaxial Contacts # 12 (Crimp)

Part Number	Contact type	Cable Accommodation
ALL122-546	Pin	Times (HS-179), Haveg 8100207, Raychem 7528H1424, RG-161/U, RG-174A/U, RG-179B/U, RG-187A/U, RG-188A/U, RG-316/U
ALL121-546	Socket	Teledyne 11299, Times (HS-179)
ALL122-541	Pin	Raychem 9528, A1318, RG-180B/U, RG-195A/U
ALL121-541	Socket	
ALL122-543	Pin	Raychem 5022E5111
ALL121-543	Socket	
ALL122-544	Pin	Raychem 9530A5314
ALL121-544	Socket	
ALL122-545	Pin	Raychem 9527A1318
ALL121-545	Socket	
ALL122-547	Pin	Gore GWN1159A
ALL121-547	Socket	



For Use In Connectors MIL-DTL-38999, series I & III

Coaxial Contacts # 16 (Crimp)

Part Number	Contact type	Cable Accommodation
ALL122-564	Pin	RG-178B/U, RG-196A/U
ALL123-564	Socket	
ALL122-563	Pin	Haveg 8100207, Raychem 7528H1424, AA3248, RG-161/U, RG-174A/U, RG-179B/U, RG-187A/U, RG-188A/U, RG-316/U, Teledyne 11299, Times (HS-179)
ALL123-563	Socket	
ALL122-562	Pin	Haveg 30-00761, 30-02024, 30-02033
ALL123-562	Socket	Tensolite 24713/A955KK1, Tensolite 26723/A955KK1
ALL122-561	Pin	Haveg 61-02051
ALL123-561	Socket	

Coaxial Contacts # 12 (Crimp)

Part Number	Contact type	Cable Accommodation
ALL122-541	Pin	Belden 1865A, Raychem 9528A1318, RG-180B/U, RG-195A/U
ALL123-541	Socket	
ALL122-543	Pin	Raychem 5022E5111
ALL123-543	Socket	
ALL122-544	Pin	Raychem 9530A5314
ALL123-544	Socket	
ALL122-545	Pin	Raychem 9527A1318
ALL123-545	Socket	
ALL122-546	Pin	Haveg 8100207, Raychem 7528H1424, AA3248, RG-161/U, RG-174A/U, RG-179B/U, RG-187A/U, RG-188A/U, RG-316/U, Teledyne 11299, Times (HS-179)
ALL123-546	Socket	
ALL122-547	Pin	Gore GWN1159A, Nexans RG179-DT
ALL123-547	Socket	
ALL122-585	Pin	Raychem 9527A1314
ALL123-585	Socket	
ALL122-589	Pin	M/A-Com 5M2869-00
ALL123-589	Socket	



Coaxial Contacts # 8 (Crimp)

Part Number	Contact type	Cable Accommodation
ALL102-023	Pin	Haveg 8100207, Multi Flex 86, RG-161/U, RG-174A/U RG-179B/U, RG-187A/U, RG-188A/U, RG-316/U Teledyne 11299, T-Flex 405, Times (HS-179) AA3248
ALL101-023	Socket	
ALL102-024	Pin	RG-142B/U, RG-223/U, SF-142 (solder inner conductor)
ALL101-024	Socket	
ALL102-022	Pin	Haveg 51-03111, Tensolite 28895/2X1
ALL101-022	Socket	
ALL102-021	Pin	RG-180B/U, RG-195A/U, Raychem 9528A1318
ALL101-021	Socket	
ALL102-025	Pin	RD-316 Double Shield (M17/152-00001) Filotex 124962
ALL101-025	Socket	
ALL102-026	Pin	Raychem 7524D5111-9
ALL101-026	Socket	
ALL102-027	Pin	ECS3C058A, ECS352001, ECS432101, RG-400
ALL101-027	Socket	
ALL102-029	Pin	M17/028-RG-058, RG303, RG-58 (M17/155-00001) Times LMR-195-UF
ALL101-029	Socket	
ALL102-036	Pin	Raychem 7524D5111-9
ALL101-036	Socket	
ALL102-037	Pin	5M2869-001, BMS13-65, ESC432101
ALL101-037	Socket	
ALL652-001	Pin	FA-19X
ALL653-001	Socket	
ALL102-041	Pin	HP-160, Multi Flex 141, Raychem 7524A1311, T Flex-402 Utiflex UFB142G
ALL101-041	Socket	
ALL102-046	Pin	Antenna x ANT-20014
ALL101-046	Socket	
ALL102-047	Pin	Times AA-11209 (PT-180)
ALL101-047	Socket	
ALL102-048	Pin	EN4604-10
ALL101-048	Socket	



Matched Impedance Coaxial Contacts & Coaxial Cables

For Use In Connectors MIL-DTL-38999, series I, II & III

Contact Impedance: 50 & 75 Ohms nominal

Frequency Range: 0–3 GHz Operable at higher frequencies depending on cable selection

Dielectric withstanding Voltage (for a mated pair):

- At sea level = 1000 V rms
- At 15 km = 250 V rms

Insulation Resistance: 5,000 MOhm min at 25°C

VSWR: $1.20 + .04F$ (F in GHz) max up to 3 GHz

Insertion Loss:

- Size 12 75 Ohm cable to cable contacts limited to 2.1 GHz max
- Size 12 75 Ohm cable to PCB Pin limited to 3 GHz max
- Size 8 75 Ohm cable to cable contacts or cable to PCB limited to 3 GHz max

Temperature range: up-65°C to 175°C



Coaxial Contacts # 12, 50 Ohm (Crimp)

Part Number	Contact type	Cable Accommodation
ALL651-011	Pin	RG316, RG179, T-Flex-405
ALL650-011	Socket	
ALL729-011 (38999, series 2)	Socket	
ALL651-017	Pin	RD316, Filotex, ET124962, M17/152-00001
ALL650-017	Socket	
ALL213-042	Pin	JN1088WT
ALL214-042	Socket	
ALL213-043	Pin	JN1088WU
ALL214-043	Socket	
ALL651-012	Pin	PAN6422XQ
ALL650-012	Socket	
ALL651-018	Pin	RG178, Gore CXN 3403
ALL650-018	Socket	
ALL729-018 (38999, series 2)	Socket	
ALL651-022	Pin	SFT-316-TR
ALL650-022	Socket	
ALL651-025	Pin	Semflex SW060
ALL650-025	Socket	
ALL651-026	Pin	Semflex SW086
ALL650-026	Socket	



Coaxial Contacts # 12 & # 8, 75 Ohm (Crimp)

Part Number	Contact type	Cable Accommodation
ALL651-030	Pin #12	RT179, RG179
ALL650-030	Socket #12	
ALL651-031	Pin #12	PIC V73263
ALL650-031	Socket #12	
ALL592-001	Pin #8	RG-179
ALL591-001	Socket #8	
ALL592-021	Pin #8	PIC V76261, PIC V73263, Whitmore/Wirenetics,W-4200-1135
ALL591-021	Socket #8	
ALL592-031	Pin #8	179DT, Belden 1855A, VDM230
ALL591-031	Socket #8	
ALL592-041	Pin #8	V78209
ALL591-041	Socket #8	

PC tails Coaxial Contacts For Use In Connectors MIL-DTL-38999, series I & III

Coaxial Contacts # 16 (PC tails)

Part Number	Contact type	Comments
ALL634-015	Pin	PCB 1 tails
ALL634-035	Pin	PCB 1 tails
ALL634-045	Pin	PCB 1 tails
ALL856-015	Pin	PCB 2 tails
ALL856-065	Pin	PCB 2 tails
ALL386-001	Pin	PCB 2 tails
ALL856-025	Pin	Angled PCB 2 tails
ALL857-001	Socket	PCB 2 tails
ALL857-008	Socket	PCB 2 tails
ALL857-007	Socket	PCB 2 tails
ALL610-001	Socket	PCB 2 tails
ALL610-002	Socket	PCB 2 tails
ALL441-001	Socket	PCB 2 tails
ALL606-001	Socket	PCB 2 tails (38999 Series 2)
ALL606-021	Socket	PCB 2 tails (38999 Series 2)
ALL606-031	Socket	PCB 2 tails (38999 Series 2)
ALL610-003	Socket	PCB 2 tails
ALL857-003	Socket	PCB 2 tails



Coaxial Contacts # 12 (PC tails)

Part Number	Contact type	Comments
ALL686-008	Pin	PCB 2 tails
ALL686-009	Pin	PCB 2 tails
ALL686-005	Pin	PCB 2 tails
ALL686-010	Pin	PCB 2 tails
ALL686-013	Pin	PCB 2 tails
ALL687-006	Pin	PCB 2 tails
ALL687-007	Pin	PCB 2 tails
ALL686-016	Pin	PCB 2 tails
ALL614-001	Socket	PCB 2 tails
ALL614-021	Socket	PCB 2 tails
ALL614-041	Socket	PCB 2 tails
ALL611-003	Socket	PCB 2 tails
ALL430-001	Socket	PCB 2 tails
ALL430-021	Socket	PCB 2 tails (38999 Series 2)
ALL440-001	Socket	PCB 3 tails
ALL430-041	Socket	PCB 2 tails (38999 Series 2)

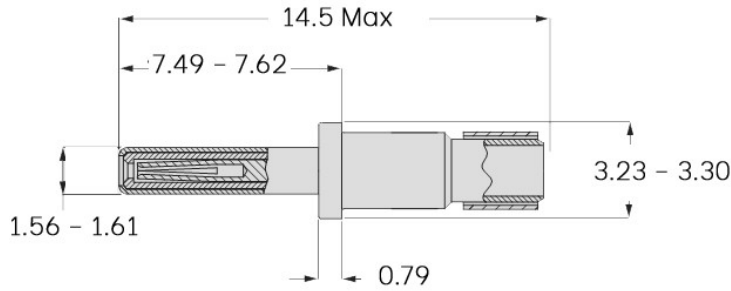
Coaxial Contacts # 8 (PC tails)

Part Number	Contact type	Comments
ALL733-007	Pin	PCB 2 tails
ALL733-002	Pin	PCB 2 tails
ALL733-004	Pin	PCB 2 tails
ALL733-009	Pin	PCB 2 tails
ALL733-008	Pin	PCB 2 tails
ALL733-005	Pin	PCB 4 outer tails, 1 inner
ALL426-001	Socket	PCB 2 tails
ALL426-021	Socket	PCB 3 tails
ALL426-041	Socket	PCB 3 tails

Dimensions

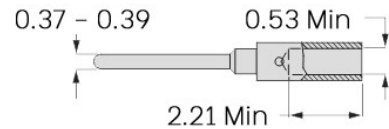
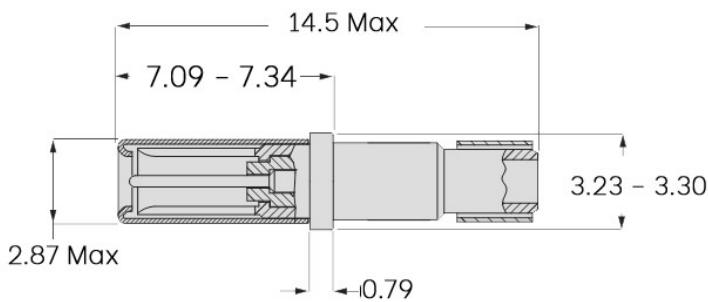
Contacts #16

Pin Contact ALL122-563, ALL122-564

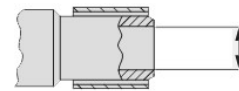


inner contact crimp barrel

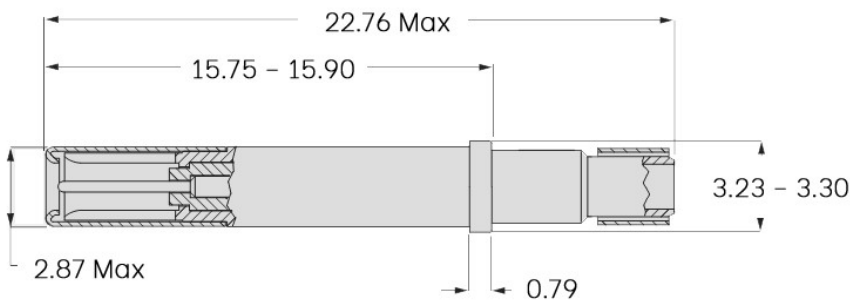
Socket Contact ALL121-563, ALL121-564



cable entry



Socket Contact ALL123-563, ALL123-564

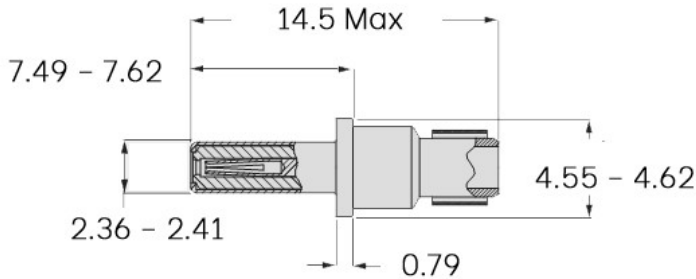


RG174, RG179, RG316 1.7 Min
RG178 1.46 Min

Cable Accommodation	Pin for 38999, series 1, 2 & 3	Socket	
		for 38999, series 1 & 3	for 38999, series 2
AA3248, Haveg 8100207, Raychem 7528H1424, RG-161/U, RG-174A/U, RG-179B/U, RG-187A/U, RG-188A/U, RG-316/U, Teledyne 11299	ALL122-563	ALL123-563	ALL121-563
RG-178B/U, RG-196A/U	ALL122-564	ALL123-564	ALL121-564

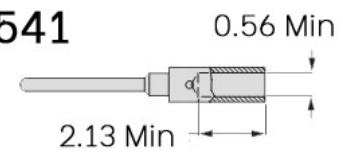
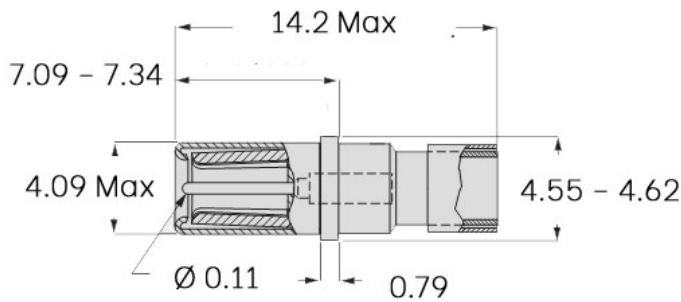
Contacts #12

Pin Contact ALL122-546, ALL122-541, ALL651-011



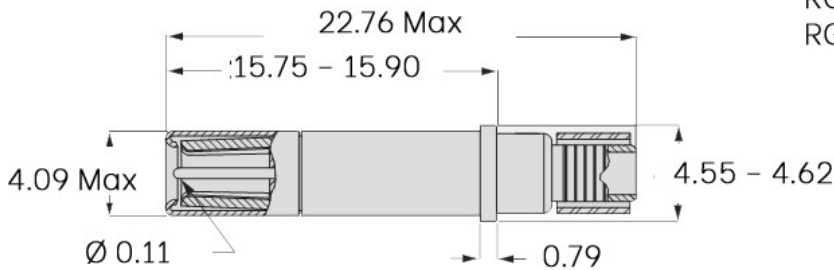
inner contact crimp barrel

Socket Contact ALL121-546, ALL121-541



cable entry

- RG174, RG179, RG316 2.29 Min
- RG180 2.74 Min
- RG316 1.68 Min

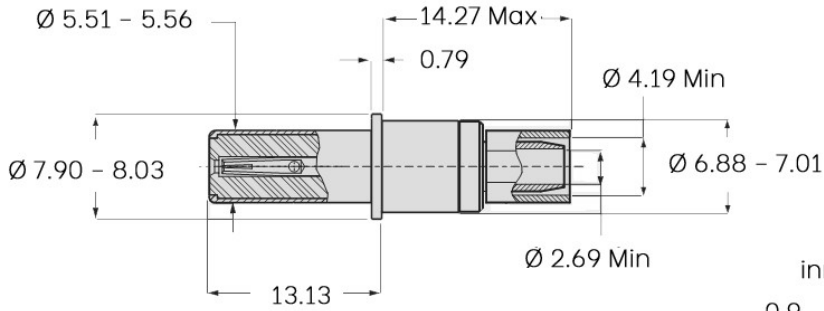


Socket Contact ALL123-546, ALL123-541, ALL650-011

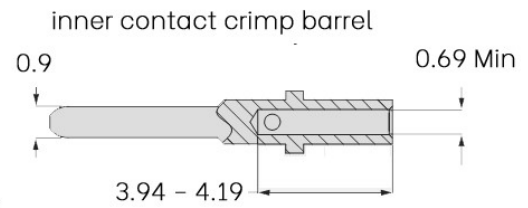
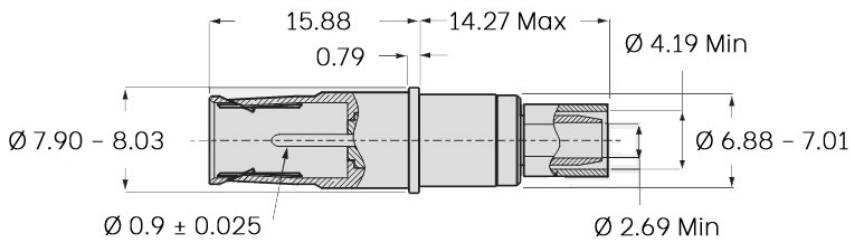
Cable Accommodation	Pin for 38999, series 1, 2 & 3	Socket	
		for 38999, series 1 & 3	for 38999, series 2
Haveg 8100207, Raychem 7528H1424, AA3248, RG-161/U, RG-174A/U, RG-179B/U, RG-187A/U, RG-188A/U, RG-316/U, Teledyne 11299, Times (HS-179)	ALL122-546	ALL123-546	ALL121-546
Raychem 9528A1318, RG-180B/U, RG-195A/U	ALL122-541	ALL123-541	ALL121-541
RG316, RG179, T-Flex-405	ALL651-011	ALL650-011	-

Contacts #8

Pin Contact ALL102-021



Socket Contact ALL101-021



Cable Accommodation	Pin for 38999, series 1 & 3	Socket for 38999, series 1 & 3
RG-180B/U, RG-195A/U, Raychem 9528A1318	ALL102-021	ALL101-021



Concentric Twinax (Triax) Contacts & Twinax Cables

For Use In Connectors MIL-DTL-38999, series I, II & III

Functions:

Temperature range: up -65°C to 175°C

Pins are scoop-proof

Meets performance levels of M38999 connector

4 components, gold plated crimp termination

For use with a variety of cables (See chart below)

Size 12 Concentric Twinax Contacts

Voltage Rating: 500 V rms max at sea level

Contact Resistance:

- Center at 1 Amp, 55 mV max. voltage drop at 25°C
- Intermediate at 1 Amp, 55 mV max. voltage drop at 25°C
- Outer at 12 Amps, 85 mV max. voltage drop at 25°C

Operating Frequency: 0–30 MHz

Dielectric Withstanding Voltage:

- Center to Intermediate 800 VAC rms at Sea Level
- Intermediate to Outer 500 VAC rms at Sea Level

Size 8 Concentric Twinax Contacts

Voltage Rating: 500 V rms max at sea level

Contact Resistance:

- Center at 1 Amp, 55 mV max. voltage drop at 25°C
- Intermediate at 1 Amp, 55 mV max. voltage drop at 25°C
- Outer at 12 Amps, 75 mV max. voltage drop at 25°C

Operating Frequency: 0–20 MHz

Dielectric Withstanding Voltage:

- Center to Intermediate: 1000 VAC rms at Sea Level
- Intermediate to Outer: 500 VAC rms at Sea Level





Concentric Twinax Contacts # 12 (Crimp)

Part Number	Contact type	Cable Accommodation
ALL909-025	Pin	M17/176-00002, ST5M1212-002
ALL908-025	Socket	
ALL640-025 (38999, series 2)	Socket	
ALL909-028	Pin	0024A0024, Fileca F2709-13-CA
ALL908-028	Socket	
ALL640-028 (38999, series 2)	Socket	
ALL909-029	Pin	EPD32263A,10612, GSC-12-2548-00
ALL908-029	Socket	
ALL909-081	Pin	ASNE0849, 5PTM1T04-1
ALL908-081	Socket	
ALL909-091	Pin	VG95218T023D002
ALL908-091	Socket	
ALL909-101	Pin	
ALL908-101	Socket	5M2022-003
ALL844-001	Pin	
ALL843-001	Socket	M27500A22D2T23
ALL909-131	Pin	
ALL908-131	Socket	

Concentric Twinax Contacts # 8 (Crimp)

Part Number	Contact type	Comments	Cable Accommodation
ALL190-529	Pin	with heat shrink seal	M17/176-00002
ALL191-530	Socket	with heat shrink seal	
ALLT08-LD	Pin	with heat shrink seal	
ALLT08-LD	Socket	with heat shrink seal	
ALLTD08-LD	Pin	Short profile with heat shrink seal	
ALLTD08-LD	Socket	Short profile with heat shrink seal	
ALL190-000	Pin	Without seals	
ALL191-000	Socket	Without seals	
ALL190-001	Pin	with piggyback grommet seal	
ALL191-001	Socket	with piggyback grommet seal	
ALL190-625	Pin	with heat shrink seal	
ALL191-628	Socket	with heat shrink seal	
ALL910-015	Pin	Short profile Without seals	
ALL922-015	Socket	Short profile Without seals	



Concentric Twinax Contacts # 8 (Crimp)

Part Number	Contact type	Comments	Cable Accommodation
ALL190-026	Pin	Without seals	Raychem 10612, 5M2022-003
ALL191-026	Socket	Without seals	
ALL190-022	Pin	Without seals	Raychem 10614, EPD22189B, 7724C8664, 05A0771, GC875TM24H, T10971
ALL191-022	Socket	Without seals	
ALL190-027	Pin	with heat shrink seal	Raychem 10613, PAN711-6421, 23089/RC
ALL191-027	Socket	with heat shrink seal	
ALL190-029	Pin	with heat shrink seal	
ALL191-029	Socket	with heat shrink seal	
ALL190-030	Pin	Without seals	
ALL191-030	Socket	Without seals	
ALL190-040	Pin	with heat shrink seal	GSC-12-2548-00, 7726D0664
ALL191-040	Socket	with heat shrink seal	
ALL190-081	Pin	with seal	Axon P517417
ALL191-081	Socket	with seal	
ALL190-261	Pin	with heat shrink seal	Raychem 10612, 5M2022-003
ALL191-261	Socket	with heat shrink seal	
ALL190-262	Pin	with heat shrink seal	
ALL191-262	Socket	with heat shrink seal	
ALLTB08-LD	Pin	Without seals	Raychem 10614, 7724C8664
ALLTB08-LD	Socket	Without seals	
ALLTC08-LD	Pin	Without seals	7820D0111 (20 AWG)
ALLTC08-LD	Socket	Without seals	
ALLTE08-LD	Pin	Short profile with heat shrink seal	Gore CXN2268
ALLTE08-LD	Socket	Short profile with heat shrink seal	
ALLTF08-LD	Pin	Short profile with heat shrink seal	Gore CNX2702
ALLTF08-LD	Socket	Short profile with heat shrink seal	
ALL190-070	Pin	Without seals	S280W502-1, F2709-13-CA, HS5930, Raychem 10602 0024G0024, Raychem 0024A0024
ALL191-070	Socket	Without seals	



Concentric Twinax Contacts # 8 (Crimp)

Part Number	Contact type	Comments	Cable Accommodation
ALL190-071	Pin	with piggyback grommet seal	0024A0024, Fileca F2709-13-CA HS5930, S280W502-1
ALL191-071	Socket	with piggyback grommet seal	
ALL190-072	Pin	with heat shrink seal	0024A0024, Fileca F2709-13-CA HS5930, S280W502-1 Raychem 10602 0024G0024
ALL191-072	Socket	with heat shrink seal	
ALL190-090	Pin	Without seals	0024A0311, PIC E10244
ALL191-090	Socket	Without seals	
ALL190-091	Pin	with piggyback grommet seal	
ALL191-091	Socket	with piggyback grommet seal	
ALL190-092	Pin	with heat shrink seal	
ALL191-092	Socket	with heat shrink seal	

PC tails Concentric Twinax (Triax) Contacts For Use In Connectors MIL-DTL-38999, series I & III

Concentric Twinax Contacts # 12 (PC tails)

Part Number	Contact type	Comments
ALL633-001	Pin	PCB 4 tails
ALL633-002	Pin	PCB 4 tails
ALL633-006	Pin	PCB 4 tails
ALL633-007	Pin	PCB 4 tails
ALL393-006	Socket	PCB 4 tails
ALL393-005	Socket	PCB 4 tails
ALL433-001	Socket	PCB 4 tails (38999 Series 2)

Size 12 twinax and triax contacts are intermatable



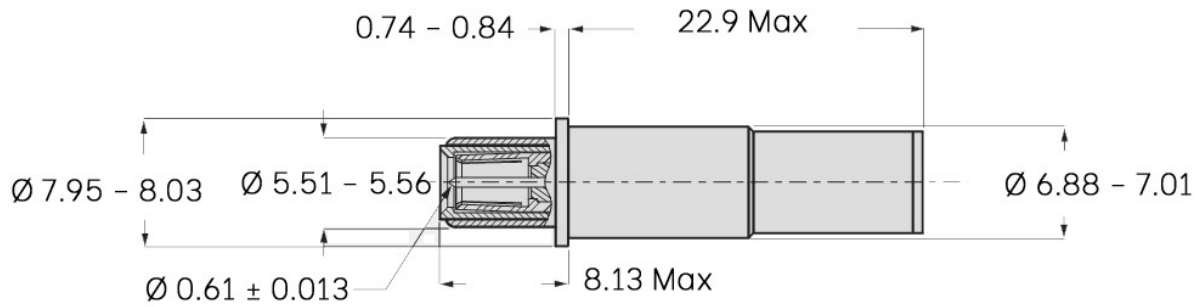
Concentric Twinax Contacts # 8 (PC tails)

Part Number	Contact type	Comments
ALL967-115	Pin	PCB 3 tails
ALL967-125	Pin	PCB 3 tails
ALL967-015	Pin	PCB 3 tails
ALL967-045	Pin	PCB 3 tails
ALL967-055	Pin	PCB 3 tails
ALL967-065	Pin	PCB 3 tails
ALL967-085	Pin	PCB 3 tails
ALL967-095	Pin	PCB 3 tails
ALL919-015	Socket	PCB 3 tails
ALL919-025	Socket	PCB 2 tails
ALL921-015	Socket	PCB 2 tails
ALL921-025	Socket	PCB 3 tails
ALL921-045	Socket	PCB 3 tails
ALL921-035	Socket	PCB 3 tails
ALL921-065	Socket	PCB 3 tails
ALL921-075	Socket	PCB 3 tails
ALL921-115	Socket	PCB 3 tails
ALL479-001	Socket	PCB 3 tails
ALL479-021	Socket	PCB 3 tails
ALL921-105	Socket	PCB 3 tails

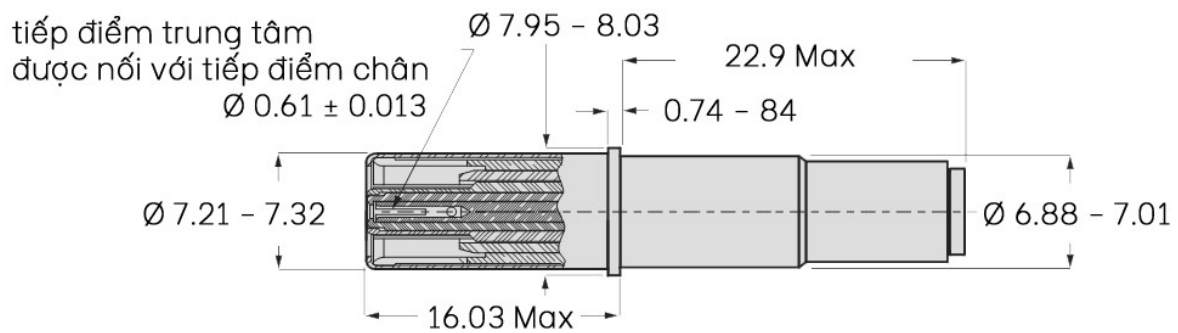
Dimensions

Concentric Twinax Contacts # 8

Pin Contact ALL190-625



Socket Contact ALL191-628



Cable Accommodation	Pin for 38999, series 1 & 3	Socket for 38999, series 1 & 3
M17/176-00002	ALL190-625	ALL191-628



Triax Contacts & Triax Cables

For Use In Connectors MIL-DTL-38999, series I & III

Contact Resistance:

- Center at 1 Amp, 120 mV max. voltage drop at 25°C
- Intermediate at 1 Amp, 60 mV max. voltage drop at 25°C
- Outer at 12 Amps, 90 mV max. voltage drop at 25°C

Operating Frequency:

- Size 12: 0-30 MHz
- Size 8: 0-500 MHz

Dielectric Withstanding Voltage:

- Center to Intermediate 800 VAC rms at Sea Level
- Intermediate to Outer 500 VAC rms at Sea Level

Insulation Resistance: 1000 MOhm minimum at 25°C



Triax Contacts # 12 (Crimp)

Part Number	Contact type	Cable Accommodation
ALL909-012	Pin	JN1088WU (75 Ohm), JN1088WT (50 Ohm)
ALL908-012	Socket	
ALL909-023	Pin	GSC-03-81497-00 (75 Ohm)
ALL908-023	Socket	
ALL909-033	Pin	
ALL908-033	Socket	
ALL909-071	Pin	Harbour TRX179, Times Microwave AA-6151 (RT-179), Axon RGX-179, 540-1050-000 (75 Ohm)
ALL908-071	Socket	



Triax Contacts # 8 (Crimp)

Part Number	Contact type	Cable Accommodation
ALL198-003	Pin	28883/02060X-1, 5M2397-002, 7528A5314, 81264-02, Champlain 81-00321A, RGX-179, RT-179, RTG 179,
ALL197-003	Socket	Tensolite 28883/02060X-1(LD), Thermatics 12447, Times RT316 (AA-6861),
ALL198-011	Pin	752866314, 7528G6314
ALL197-011	Socket	
ALL198-004	Pin	5M2559-001, 81264-01, Cheminax 9530F5214,
ALL197-004	Socket	Teledyne 13809, Tensolite 28598/9J063T-1
ALL198-010	Pin	ST5M1323-001, Champlain 81-00700, Teledyne 11914/1,
ALL197-010	Socket	Tensolite 26895/90334X-1, Times AA6603
ALL198-014	Pin	Tyco 7530A5314
ALL197-014	Socket	
ALL198-031	Pin	RT316
ALL197-031	Socket	
ALL198-015	Pin	Pic L7626TX (75 Ohm)
ALL197-015	Socket	
ALL198-041	Pin	Gore GSC-03-81497-00
ALL197-041	Socket	
ALL198-051	Pin	ST5M1322-001 (AA2317)
ALL197-051	Socket	

PC tails Triax (Triax) Contacts For Use In Connectors MIL-DTL-38999, series I & III

Triax Contacts # 8 (PC tails)

Part Number	Contact type	Comments
ALL828-001	Pin	PCB 3 tails
ALL828-021	Pin	PCB 3 tails
ALL828-041	Pin	PCB 3 tails
ALL840-021	Socket	PCB 2 tails Outer body grounded to shell
ALL841-001	Socket	PCB 2 tails Outer body grounded to shell
ALL840-001	Socket	PCB 3 tails



Differential Twinax Contacts & Twinax Cables

For Use In Connectors MIL-DTL-38999, series I & III

Bandwidth: up to 1.25 GHz
 Data Rate: Exceeding 2.5 Gbps
 Voltage Rating: 500 V rms max. at sea level
 Dielectric Withstanding Voltage:

- 1000 VAC rms between all inner contacts at sea level
- 500 VAC rms between inner and outer contacts at sea level



Differential Twinax Contacts # 8, 100 Ohm (Crimp)

Part Number	Contact type	Cable Accommodation
ALL387-021	Pin	Tensolite 24463/05099X-8(LD), Thermax MX 100-24, Tensolite 24463/9P025X-2(LD), Thermax 12814, S280W502-1 ST5M1284-003 (98 Ohm), 26463/70460X-2 (98 Ohm), PIC E10224, Fileca 2709-3, NF24T100-200C (Space),
ALL388-021	Socket	
ALL387-051	Pin	GORE GSC-05-827300-00
ALL388-051	Socket	
ALL387-041	Pin	Tensolite 26453/03184X-2(LD), Thermax 956-626Z, GORE GSC-05-827300-00
ALL388-041	Socket	
ALL387-061	Pin	23460/05114X-2(LD), PIC E1024
ALL388-061	Socket	
ALL387-071	Pin	Raychem 0026A0024, M17/176-00002 (77 Ohm)
ALL388-071	Socket	
ALL387-091	Pin	JSFY11-24, Tensolite 24463/03220T-2(LD), Thermax 956-1T200
ALL388-091	Socket	
ALL387-101	Pin	S280W502-6, Tensolite 24463/9P026X-2(LD)
ALL388-101	Socket	

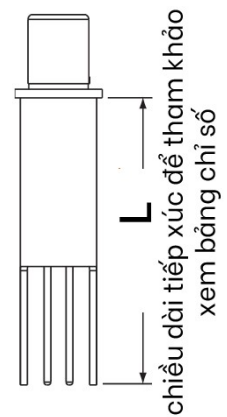
Differential Twinax Contacts # 8, 150 Ohm (Crimp)

Part Number	Contact type	Cable Accommodation
ALL387-031	Pin	Tensolite 26483/03071X-2(LD)
ALL388-301	Socket	
ALL456-001	Pin	
ALL457-001	Socket	

PC tails Differential Twinax Contacts For Use In Connectors MIL-DTL-38999, series I & III

Differential Twinax Contacts # 8 (PC tails), 100 Ohm

Part Number	Contact type	L, Contacts Length
ALL834-041	Pin	12.55
ALL834-131	Pin	13.46
ALL834-061	Pin	19.81
ALL834-031	Pin	20.02
ALL834-111	Pin	20.47
ALL834-141	Pin	20.80
ALL834-101	Pin	21.41
ALL834-071	Pin	22.12
ALL834-121	Pin	23.06
ALL834-081	Pin	23.80
ALL834-051	Pin	23.85
ALL834-001	Pin	26.29
ALL834-091	Pin	26.29
ALL835-041	Socket	12.55
ALL835-131	Socket	13.46
ALL835-061	Socket	19.81
ALL835-031	Socket	20.02
ALL835-111	Socket	20.47
ALL835-141	Socket	20.80
ALL835-101	Socket	21.41
ALL835-071	Socket	22.12
ALL835-121	Socket	23.06
ALL835-081	Socket	23.80
ALL835-051	Socket	23.85
ALL835-001	Socket	26.29
ALL835-091	Socket	26.29



Differential Twinax Contacts # 8 (PC tails), 150 Ohm

Part Number	Contact type	L, Contacts Length
ALL834-021	Pin	26.29
ALL458-001	Pin	26.29
ALL835-021	Socket	26.29
ALL459-001	Socket	26.29



Quadrax Contacts & Quadrax Cables

For Use In Connectors MIL-DTL-38999, series I & III

Bandwidth: up to 1.25 GHz

Data Rate: Exceeding 2.5 Gbps

Voltage Rating: 500 V rms max. at sea level

Dielectric Withstanding Voltage:

- 1000 VAC rms between all inner contacts at sea level
- 500 VAC rms between inner and outer contacts at sea level



Quadrax Contacts # 8, 100 Ohm (Crimp)

Part Number	Contact type	Cable Accommodation
ALL384-021	Pin	Draka Fileca F4703-3, Draka Fileca F4704-4, PIC Wire E50424
ALL385-021	Socket	Filotex ET 2PC236, Filotex ET2PF870, ABS0972, Tensolite 23450/04090X-4(LD)
ALL384-051	Pin	Tensolite NF24Q100, NF24Q100-01, 24443/9P025X-4(LD), S280W502-4, 24443/03130X-4(LD), 24443/C20714X-4(LD), 24450/0120X-4(LD), NF24-2Q100, TYCO CEC-RWC-18664, GORE GSC-01-81869-01, 24443/03166X-4(LD), Thermax T956-4T200, Pic Wire E51424, Thermax MX100Q-24, NF24Q100-01-200C, PIC E50424
ALL385-051	Socket	
ALL384-061	Pin	Tensolite NF22Q100, NF22Q100-01, Thermax 956-5,
ALL385-061	Socket	Draka Fileca F4704-5, GORE RCN 7688, ABS1503 KD 24
ALL384-071	Pin	Tensolite NF26Q100, NF26Q100-01,
ALL385-071	Socket	NF26-2Q100, PIC E50426
ALL384-141	Pin	S280W502-4
ALL385-141	Socket	
ALL384-151	Pin	Draka Fileca F4704-6, Gore RCN 8672
ALL385-151	Socket	
ALL384-161	Pin	Tensolite NF24Q100-01
ALL385-161	Socket	
ALL384-171	Pin	Gore RCN8513, JSFY18-3
ALL385-171	Socket	
ALL384-191	Pin	Tensolite NF24Q100, NF24Q100-01
ALL385-191	Socket	for 2.5 Gbps applications
ALL384-281	Pin	ABS1503KD24, F-4703
ALL385-281	Socket	
ALL384-391	Pin	Gore RCN9034, NF24Q100-01
ALL385-391	Socket	
ALL384-421	Pin	Gore RCN8752
ALL385-421	Socket	
ALL384-431	Pin	Madison 1016423
ALL385-431	Socket	

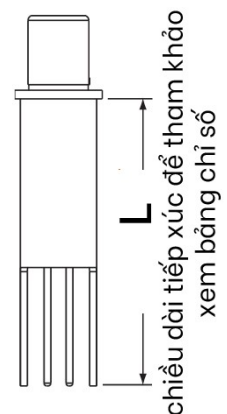
Quadrax Contacts # 8, 150 Ohm (Crimp)

Part Number	Contact type	Cable Accommodation
ALL450-001	Pin	Gore RCN8328, Tensolite 26473/02006X-4(LD)
ALL451-001	Socket	
ALL450-011	Pin	Tensolite 26473/02006X-4(LD)
ALL451-011	Socket	
ALL384-035	Pin	Tensolite 26473/02006X-4(LD)
ALL385-035	Socket	
ALL450-051	Pin	Harbour Data Master Q150-24 (19), Tensolite 24483/02006X-4 (LD)
ALL451-051	Socket	
ALL450-061	Pin	Gore RCN7625
ALL451-061	Socket	
ALL384-201	Pin	Gore RCN8328
ALL385-201	Socket	
ALL384-271	Pin	Gore RCN7625
ALL385-271	Socket	

PC tails Quadrax Contacts For Use In Connectors MIL-DTL-38999, series I & III

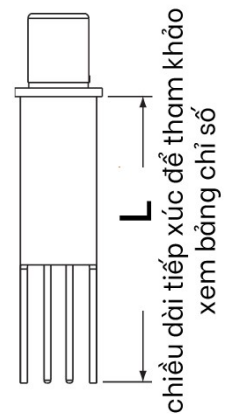
QuadraxContacts # 8 (PC tails), 100 Ohm

Part Number	Contact type	L, Contacts Length, mm
ALL398-391	Pin	9.14
ALL398-491	Pin	10.62
ALL398-751	Pin	10.87 ± 0.38
ALL398-231	Pin	12.55
ALL398-741	Pin	14.02 ± 0.38
ALL398-521	Pin	14.78
ALL398-661	Pin	14.73 ± 0.38
ALL398-191	Pin	15.37
ALL398-141	Pin	15.62
ALL398-761	Pin	16.43 ± 0.38
ALL398-531	Pin	16.92
ALL398-371	Pin	17.07
ALL398-721	Pin	17.50 ± 0.38
ALL398-511	Pin (100/150 Ohm)	17.75
ALL398-111	Pin	17.98
ALL398-581	Pin	18.31
ALL398-771	Pin	18.80 ± 0.38
ALL398-241	Pin	18.82
ALL398-271	Pin	18.82
ALL398-461	Pin	19.33



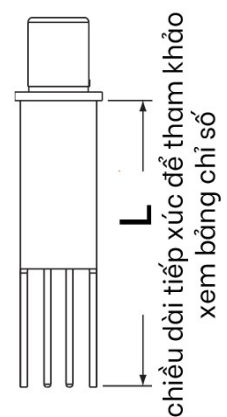
QuadraxContacts # 8 (PC tails), 100 Ohm

Part Number	Contact type	L, Contacts Length, mm
ALL398-691	Pin	19.56 ± 0.38
ALL398-221	Pin	19.69
ALL398-551	Pin (Pretinned)	20.02
ALL398-251	Pin	20.02
ALL398-731	Pin	20.02 ± 0.38
ALL398-281	Pin	20.47
ALL398-561	Pin	20.70
ALL398-631	Pin	20.70 ± 0.38
ALL398-431	Pin	20.80
ALL398-301	Pin	21.23
ALL398-091	Pin (Pretinned)	21.34
ALL398-121	Pin	21.82
ALL398-031	Pin	22.00
ALL398-681	Pin	22.00 ± 0.38
ALL398-351	Pin	22.12
ALL398-501	Pin	22.23
ALL398-471	Pin	22.58
ALL398-341	Pin	22.89
ALL398-381	Pin	23.22
ALL398-641	Pin	23.57 ± 0.38
ALL398-671	Pin	23.57 ± 0.38
ALL398-601	Pin	23.85
ALL398-361	Pin	23.85
ALL398-591	Pin (100/150 Ohm)	23.85
ALL398-311	Pin	23.88
ALL398-541	Pin	24.03
ALL398-481	Pin	24.66
ALL398-701	Pin	25.17 ± 0.38
ALL398-401	Pin	25.63
ALL398-021	Pin (Pretinned)	26.29
ALL398-291	Pin	26.29
ALL398-651	Pin	26.29 ± 0.38
ALL398-421	Pin	29.69
ALL398-621	Pin	30.38 ± 0.38
ALL398-611	Pin	34.70



QuadraxContacts # 8 (PC tails), 100 Ohm

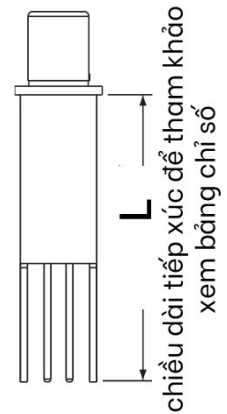
Part Number	Contact type	L, Contacts Length, mm
ALL397-391	Socket	9.14
ALL397-491	Socket	10.62
ALL397-751	Socket	10.87 ± 0.38
ALL397-231	Socket	12.55
ALL397-741	Socket	14.02 ± 0.38
ALL397-521	Socket	14.78
ALL397-661	Socket	14.73 ± 0.38
ALL397-191	Socket	15.37
ALL397-141	Socket	15.62
ALL397-761	Socket	16.43 ± 0.38
ALL397-531	Socket	16.92
ALL397-371	Socket	17.07
ALL397-721	Socket	17.50 ± 0.38
ALL397-511	Socket (100/150 Ohm)	17.75
ALL397-111	Socket	17.98
ALL397-581	Socket	18.31
ALL397-771	Socket	18.80 ± 0.38
ALL397-241	Socket	18.82
ALL397-271	Socket	18.82
ALL397-461	Socket	19.33
ALL397-691	Socket	19.56 ± 0.38
ALL397-221	Socket	19.69
ALL397-551	Socket (Pretinned)	20.02
ALL397-251	Socket	20.02
ALL397-731	Socket	20.02 ± 0.38
ALL397-281	Socket	20.47
ALL397-561	Socket	20.70
ALL397-631	Socket	20.70 ± 0.38
ALL397-431	Socket	20.80
ALL397-301	Socket	21.23
ALL397-091	Socket (Pretinned)	21.34
ALL397-121	Socket	21.82
ALL397-031	Socket	22.00
ALL397-681	Socket	22.00 ± 0.38
ALL397-351	Socket	22.12
ALL397-501	Socket	22.23
ALL397-471	Socket	22.58
ALL397-341	Socket	22.89
ALL397-381	Socket	23.22
ALL397-641	Socket	23.57 ± 0.38





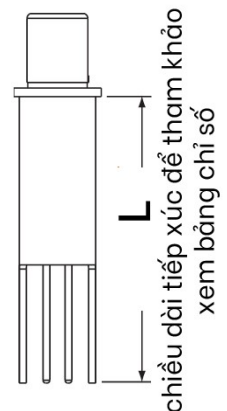
QuadraxContacts # 8 (PC tails), 100 Ohm

Part Number	Contact type	L, Contacts Length, mm
ALL397-671	Socket	23.57 ± 0.38
ALL397-601	Socket	23.85
ALL397-361	Socket	23.85
ALL397-591	Socket (100/150 Ohm)	23.85
ALL397-311	Socket	23.88
ALL397-541	Socket	24.03
ALL397-481	Socket	24.66
ALL397-701	Socket	25.17 ± 0.38
ALL397-401	Socket	25.63
ALL397-021	Socket (Pretinned)	26.29
ALL397-291	Socket	26.29
ALL397-651	Socket	26.29 ± 0.38
ALL397-421	Socket	29.69
ALL397-621	Socket	30.38 ± 0.38
ALL397-611	Socket	34.70



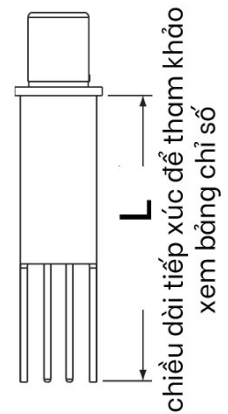
Quadrax Contacts # 8 (PC tails), 150 Ohm

Part Number	Contact type	L, Contacts Length, mm
ALL452-051	Pin (mates to ALL450/51 series)	12.55
ALL398-451	Pin	12.55
ALL398-071	Pin (Pretinned)	12.55
ALL452-061	Pin (mates to ALL450/51 series)	14.78
ALL398-511	Pin	17.75
ALL398-081	Pin (Pretinned)	19.81
ALL398-131	Pin (Pretinned)	19.81
ALL398-151	Pin	20.70
ALL398-211	Pin (Pretinned)	20.70
ALL452-021	Pin (mates to ALL450/51 series)	20.70
ALL452-031	Pin (Pretinned) (mates to ALL450/51 series)	20.70
ALL398-411	Pin	22.00
ALL452-041	Pin (mates to ALL450/51 series)	22.00
ALL398-591	Pin	23.85
ALL452-071	Pin (mates to ALL450/51 series)	23.85
ALL452-011	Pin (mates to ALL450/51 series)	26.29
ALL398-061	Pin	26.29



Quadrax Contacts # 8 (PC tails), 150 Ohm

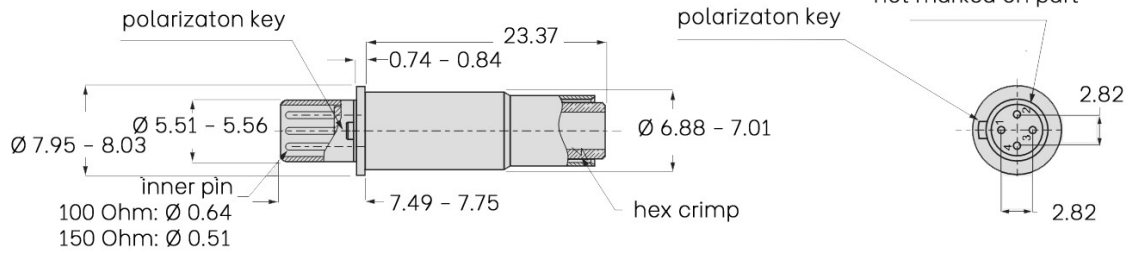
Part Number	Contact type	L, Contacts Length, mm
ALL453-051	Socket (mates to ALL450/51 series)	12.55
ALL397-451	Socket	12.55
ALL397-071	Socket (Pretinned)	12.55
ALL453-061	Socket (mates to ALL450/51 series)	14.78
ALL397-511	Socket	17.75
ALL397-081	Socket (Pretinned)	19.81
ALL397-131	Socket (Pretinned)	19.81
ALL397-151	Socket	20.70
ALL397-211	Socket (Pretinned)	20.70
ALL453-021	Socket (mates to ALL450/51 series)	20.70
ALL453-031	Socket (Pretinned) (mates to ALL450/51 series)	20.70
ALL397-411	Socket	22.00
ALL453-041	Socket (mates to ALL450/51 series)	22.00
ALL397-591	Socket	23.85
ALL453-071	Socket (mates to ALL450/51 series)	23.85
ALL453-011	Socket (mates to ALL450/51 series)	26.29
ALL397-061	Socket	26.29



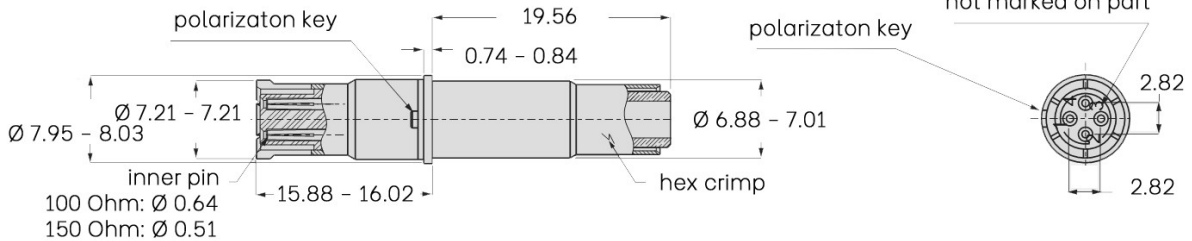
Dimensions

Quadrax Contacts # 8

Pin Contact ALL384-051, ALL384-021, ALL450-001



Socket Contact ALL385-051, ALL385-021, ALL451-001



Cable Accommodation	Pin for 38999, series 3	Socket for 38999, series 3
Tensolite NF24Q100, NF24Q100-01, 24443/9P025X-4(LD), S280W502-4, PIC E50424 24443/03130X-4(LD), 24443/C20714X-4(LD), 24450/0120X-4(LD), NF24-2Q100, TYCO CEC-RWC-18664, GORE GSC-01-81869-01, 24443/03166X-4(LD), Thermax T956-4T200, Pic Wire E51424, Thermax MX100Q-24, NF24Q100-01-200C	ALL384-051	ALL385-051
Draka Fileca F4703-3, Draka Fileca F4704-4, Filotex ET 2PC236, Filotex ET2PF870, PIC Wire E50424, ABS0972, Tensolite 23450/04090X-4(LD)	ALL384-021	ALL385-021
Gore RCN8328 Tensolite 26473/02006X-4(LD)	ALL450-001	ALL451-001

CÔNG TY TNHH RỒNG VÀNG TECHNOLOGY

**Địa chỉ: 48/5 Vĩnh Xuân, Phường Vĩnh thái,
Thành Phố Nha Trang, Tỉnh Khánh Hòa**

SĐT: +84 79.219.2707

www.rong-vang-technology.vn

www.rong-vang-technology.vn